

Robert A. Leidy Fish Survey 1992-1998
Bay Area Stream Fishes

Version 1.2

Released July 9, 1999

Robert A. Leidy Fish Survey 1992-1998
Bay Area Stream Fishes, Version 1.2

Contents

Abstract

Section I: Documentation

Introduction

Data Use

Methods

Field Collection of Data

Survey Objectives

Survey Methods

Data Collected and Compiled in the Database

Data Collected and not Compiled in the Database

Fish Identification

Database Development

References

Appendix 1: Sample Field Datasheet

Appendix 2: Database Dictionary

Section II: Survey Event Summary

Section III: Datasheets and Index

Robert A. Leidy Fish Survey 1992-1998

Bay Area Stream Fishes Version 1.2

Updated July 9, 1999

ABSTRACT

This database contains information about native and introduced fishes collected by Robert A. Leidy of the U.S. Environmental Protection Agency on Bay Area streams from April 1992 to July 1998. The database was designed and built by the San Francisco Estuary Institute, in collaboration with Region IX of U.S. EPA, during January to May 1999. The database reports on the numbers and lengths of a total of 37 species of fish observed at 263 stations on 79 Bay Area streams. The Leidy Fish Survey 1992-1998 is currently available as a .pdf file from the San Francisco Estuary Institute's website (www.sfei.org). The .pdf includes documentation on survey and database methods and a section about data use. Please consult the documentation before using these data.

This version 1.2 is an interim data product of the Bay Area Stream Fishes project. SFEI is currently developing an on-line map-based query system to make the Stream Fishes data easily accessible. It will go online in early 2000. Additional components, including historical data, are also being developed to extend the utility of the database. U.S. EPA, SFEI, and local, state, and federal partners will be exploring how these data can be well-used, and updated, to support ongoing watershed management.

Section I

Documentation

INTRODUCTION

This database contains information about native and introduced fishes collected by Robert A. Leidy of the U.S. Environmental Protection Agency (U.S. EPA) on Bay Area streams from April 1992 to July 1998. The database was designed and built by the San Francisco Estuary Institute (SFEI), in collaboration with Region IX of U.S. EPA, during January to May 1999. The database reports on the number and lengths of a total of 37 species of fish observed at 263 stations on 79 Bay Area streams.

Selected fields from the original project field datasheets were compiled into a relational database using Microsoft Access. An ArcInfo point coverage was also created by SFEI to represent the sample stations geographically. The GIS coverage and Access database are linked by the SFEI-assigned station ID (STN_ID).

The Leidy 1992-1998 Fish Survey is currently available as a .pdf file from SFEI's website (www.sfei.org). The .pdf includes (1) Documentation, (2) a Survey Event Summary, and (3) Survey Event Datasheets and Index. The survey event datasheets are organized by their datasheet IDs (e.g., SFEI Sheet ID# LF015). The Index of Streams by County, at the beginning of section (3), can be used to quickly find the IDs for survey events on a particular watershed or creek of interest.

This version 1.2 is an interim data product from the Bay Area Stream Fishes project. SFEI is currently developing an on-line map-based query system to make the Stream Fishes data easily accessible. It will go online in early 2000. Additional components, including historical data, are also being developed to extend the utility of the database. U.S. EPA, SFEI, and other local, state, and federal partners will be exploring how these data can be well-used, and updated, to support ongoing watershed management.

This database is the most comprehensive to-date for Bay Area stream fishes. However, its limitations should be recognized. Please see the "Data Use" section for more information.

The original datasheets recorded additional data about stream habitat, fish parasites, amphibians, and other parameters, as described in the documentation (see "Data Collected but Not Compiled" section below). The data selected for entry into the database were chosen by U.S. EPA based on input from local interest groups. The modular design of the database should permit incorporation of additional data as needed in the future.

For further questions about the Fish Survey 1992-1998 data, please contact Mr. Rob Leidy of U.S. EPA at 415-744-1970, or Leidy.Robert@epamail.epa.gov.

For further questions about the Bay Area Stream Fishes project and associated database, please contact Mr. Robin Grossinger of SFEI at 510-231-5742, or robin@sfei.org.

DATA USE

A local assemblage of fishes may be defined as those fishes that would be found together at one particular place or locality. Fish assemblage structure (e.g., number of species, distribution or abundance of species at a locality, number of prey species versus piscivorous species, proportional composition of the assemblage by trophic groups or functional groups, body-size patterns for an assemblage, etc.) may vary considerably over time (i.e., morning to night, season to season, year to year) and space (e.g., riffle vs. pool, high-elevation headwater stream reach versus low-elevation reach near the stream mouth). Therefore, caution should be exercised in the data interpretation and any subsequent application of the data to define both broad- and fine-scale ecological patterns. Specific attention should be given to the limitations of the survey objectives and methods of this study when extending the data to other applications. For example, data on the distribution and abundance of fishes in this study was collected during the years 1992-1998. However, for many streams sampling was limited to a single sampling event. Any conclusions drawn from the data must therefore be drawn within the context of the natural temporal and spatial variability of stream ecosystems, as well as the objectives and methods of the study design.

METHODS

FIELD COLLECTION OF DATA

Field data were collected by Robert A. Leidy of U.S. EPA and others under his direct supervision. Data were collected between April 1992 and July 1998. A total of 277 survey events took place at 263 stations on 79 creeks. Information collected during each survey event was reported on an individual, two-sided field datasheet. A sample of the field datasheets can be seen in Appendix 1. Copies of the original datasheets may be viewed at the SFEI Library.

Survey Objectives

The primary goal of the fish survey was to document the present distribution and abundance of native stream fishes in the Bay Area. Stream locations known to contain native fishes based on historical records were surveyed to document local species distribution and abundance. Additional locations were surveyed where historical information was incomplete. At each location, an effort was made to survey the full range of habitat types (e.g., riffle, run, pool) within representative stream reaches and geomorphic settings (e.g., high-elevation, high-gradient, bedrock controlled; low-elevation, low gradient, alluvial unconsolidated bottom, etc.). Stations were selected to maximize the diversity of habitat types in different geomorphic settings. Stream reaches were typically sampled above the influence of diel tidal fluctuations, though a few exceptions occurred.

Survey Methods

Selection of fish survey techniques depended on site-specific physical characteristics and conditions. The method employed was the one that would survey a site most thoroughly. Fish

surveying relied on one or more of the following techniques: electrofisher, minnow or beach seine, dip net, gill net, and snorkel and mask.

Surveying with a Smith-Root Type XI backpack electrofisher was the most often employed method, primarily in reaches with depths of less than 1 meter (m) and water velocities of less than 3 second-feet. Electrofishing was conducted in a downstream-to-upstream direction for a minimum distance of 30 m, except in two situations. First, many survey locations were characterized by isolated pools less than 30 m in length, which were embedded within a matrix of dry stream bed. In these situations single or multiple pools were surveyed. Although an effort was made to survey a minimum of 30 m, survey distance often exceeded this. Second, distances of greater than 30 m were electrofished when either no, or few, fishes were collected within the first 30 m surveyed. This additional effort was directed at certifying the presence or absence of species. An effort was made to survey all habitats within a reach with equal effort (i.e., survey time and area surveyed), however, habitats immediately adjacent to stream banks often received more intensive surveying because these areas typically provided the most complex habitat for fishes, and therefore required the most attention. Block nets were used at the upstream and downstream ends of the survey location if physical conditions (e.g., high water velocities, poor water clarity, etc.) warranted their use. Electrofishing was conducted by either 2 or 3 person crews, with all members of the crew collecting stunned fish by dip net.

Fish surveying at depths greater than 1 m was typically accomplished by minnow and/or beach seine, gill nets, or snorkeling with a mask. Surveying effort varied among these methods although most surveys conformed to the minimum 30 m survey distance. A student minnow seine was used to depths of 1 m while depths of between 1 m-2 m were surveyed with a beach seine. Student and beach seines were constructed of 6-mm mesh and both were 1.5 m x 2 m and 2 m x 4 m in depth and width, respectively. Very shallow habitats (typically < 5 cm depth), where electrofishing and larger nets were not effective were surveyed with either small-size mesh dip nets (4-6 mm mesh) or fish were identified in-situ. Depths greater than 2 m were typically surveyed with gill nets (13- and 19-mm mesh nets, 2 m deep and 10 and 20 m in length) or by in-situ observation with a snorkel and mask. Gill nets were set for a period of two hours. The time of day of net set and retrieval varied. A mid-water trawl was used to survey sites in the Napa and Sonoma Marsh complex.

Data Collected and Compiled in the Database

For each collection site the following information was recorded: survey date and time; stream name(s) and narrative location; survey station (numbered sequentially for all sites surveyed on the same date); county name; and USGS 7.5 minute quadrangle name. The following data were collected: mm fork length (FL) or total length (TL), unless more than 30 individuals of a species were caught, in which case a representative 30 fish were measured and additional information were summarized with a narrative comment; the total number of species; the percentage native fish species in the collection. Estimates were made of the abundance in the sample of young-of-the-year, salmonids, and sculpins (0-3 scale, where 0 = no individuals, 1 = 1-24 individuals, 2 =

25-50 individuals, and 3 = >50 individuals); percentage of sample consisting of native species by abundance (1-3 scale, where 0 = no native fishes, 1 = 1-33% of the total number of individuals collected were native, 2 = 34-66% of the total number of individuals collected were native; and 3 = 67-100% of the total number of individuals collected were native).

Data Collected but not Compiled in the Database

A number of additional types of data were collected in the field, but have not been incorporated into the database. These include: length of survey location (m); floodplain, bankfull, and wetted-channel width (m); air and bottom water temperature (F); water depth (m); percentage of individuals of a species with visible external parasites; elevation (m) from the USGS 7.5' scale topographic map; stream discharge (cfs) estimated visually; visual estimates of percentage of wetted-channel containing emergent macrophytes or woody-rooted vegetation; visual estimates of percentage of water surface or substrate covered with algal mats; water clarity (1-5 scale, where 1 = crystal clear and 5 = extremely muddy); visual estimate of maximum percentage of stream channel surface shaded by riparian vegetation, boulders, or other structures; estimated extent of human modification (1-5 scale, where 1 = unmodified and 5 = extremely modified, according to Leidy and Fiedler 1985); percentage habitat type consisting of riffle or pool (according to the California Department of Fish and Game 1994); instream shelter rating for protection from stream velocity as provided by stream hydraulics, such as boulders, submerged vegetation, coarse woody debris, channel configuration, back-eddies, *etc.* (0-2 scale, where 0 = none, exposed to current, 1 = moderate, adjacent to current with slight protection, and 2 = major, complete current protection), visual isolation or reduction in horizontal "line-of-sight" (0-2 scale, where 0 = none, open, 1 = moderate, partially obscured, and 2 = major, mostly obscured), light reduction provided by turbidity, overhanging or submerged vegetation, undercut banks, *etc.* (0-2 scale, where 0 = none, bright, 1 = moderate, partially shaded, and 2 = major, dark); and percentage substrate as silt/clay/mud, sand, gravel, cobble, boulder, and bedrock (according to the Wentworth particle scale, Bovee and Milhous 1978). Estimates and measurements of substrate composition, water depth, and wetted-channel, bankfull, and floodplain widths were taken at 9-15 points at equal intervals of 3 measurements per transect along 3-5 equally spaced transects, set up perpendicular to stream flow. Percentage substrate composition was first visually estimated independently, and then confirmed collectively, by two observers centered on 1 square meter quadrat at each survey point. Channel confinement was calculated as average floodplain width (m) divided by average bankfull width (m). An estimate of the number of *Oncorhynchus mykiss mykiss*/*O. m. irideus* per 30 m of stream based on captured fish and visual counts of fish were made at each survey site. Amphibians that were captured or observed at each site were also noted by species. Unless otherwise noted, all habitat inventory protocols in this study followed those described in Flosi and Reynolds 1994.

Fish Identification

All fish were identified using one or more of the following references: Moyle 1976 (as per 1997 key revisions); Lawrence and Burr 1991. All collected fish were released, with the exception of a few voucher specimens, which were preserved in 10% formalin. Each survey site was photo-

documented by taking a minimum of 2 photographs with a wide angle lens; one looking upstream and one looking downstream from a location at the centerpoint of the site.

DATABASE DEVELOPMENT

Relational Database

The database for the Robert A. Leidy Fish Survey 1992-1998 was designed at SFEI by Samir Arora, with the assistance of Jessica Sisco, Robin Grossinger, Zoltan Der, Julie Ekstrom, and Jung Yoon. Robert Leidy and Josh Collins supervised the interpretation of the datasheets and reviewed data entry and presentation format.

The database was modeled off the field datasheets. The design consists of three major groups of linked tables (Appendix 2). The first group stores information about species nomenclature, such as scientific name, common name, family name, native designation, and phylogenetic order. The second group of linked tables stores information about the survey stations and other location information, such as stream, watershed, county, and respective USGS 7.5 minute quadrangle. The final group of linked tables stores the survey event data, namely, collection date, collection time, list of observed species and associated measured fork or total lengths, and any survey collector assigned species ratings. As a group, this latter set of tables serves as the link between the other two sets, the species nomenclature group and station location group. Please see Appendix 2 for specific details on the database design and table structure.

Data were transcribed from copies of the original datasheets during January to May 1999. The datasheet copies were sorted and organized by SFEI and assigned a distinct ID (SFEI Sheet ID number). Each datasheet represents one survey event. The outputted datasheets within this .pdf are organized by this ID. Please note, there are no field datasheets for SFEI Sheet ID# LF185 or LF203; these IDs were assigned to duplicate datasheets and subsequently discarded.

The master list of fish species and families was provided by Robert Leidy. This list represents possible species within Bay Area streams, and not just those surveyed in the 1992 to 1998 fish survey. Species information about each survey event was taken from the field datasheets. All surveyed fish have been made to conform to the above master species list. Instances of no observed species at survey event have been flagged in the database. Cases of no individuals or no measured lengths are coded as -9 in the database. All field collector-assigned species abundance ratings were taken directly off the field datasheets.

The master list of stations and associated information was compiled and organized by SFEI based upon the field datasheets. Each station has been assigned a distinct ID (SFEI Station ID number). Station location narrative descriptions were transcribed off the field datasheets with minimal editing. Stream names were taken primarily from the USGS 7.5 minute quadrangles. In cases of duplicate stream names within the Bay Area, the county name for that stream was included into

the stream name designation. Watershed designations were assigned by SFEI and U.S. EPA based upon the name of the main channel connecting to the Bay. For sample stations in tidal sloughs, the corresponding Baylands Segment (Goals Project 1999, p.95) is identified. Several streams and watersheds remain unnamed. The Survey Event Summary within this .pdf lists locations of survey events with regards to streams and watersheds. Please refer to the Summary or the Index of Streams by County for help in locating desired survey events, streams or watersheds.

REFERENCES

- Bovee, K. D. and R. T. Milhous. 1978. Hydraulic simulation in instream flow studies: theory and technique. Instream flow information paper 5. United States Fish and Wildlife Service, Biological Services Program FWS-OBS 78-33.
- Flosi, G. and F. L. Reynolds. 1994. California salmonid stream habitat restoration manual. California Department of Fish and Game, Inland Fisheries Division, Sacramento.
- Goals Project. 1999. Baylands Ecosystem Habitat Goals. A report of habitat recommendations prepared by the San Francisco Bay Area Wetlands Ecosystem Goals Project. U.S. Environmental Protection Agency, San Francisco, Calif./S.F. Bay Regional Water Quality Control Board, Oakland, Calif.
- Leidy, R. A. and P. L. Fiedler. 1985. Human disturbance and patterns of fish species diversity in the San Francisco Bay drainage, California. *Biological Conservation* 33: 247-267.
- Moyle, P. B. 1976. *Inland fishes of California*. University of California Press, Berkeley.

Appendix 1
Sample Field Datasheet

LF-059

SHEET 1 OF 1

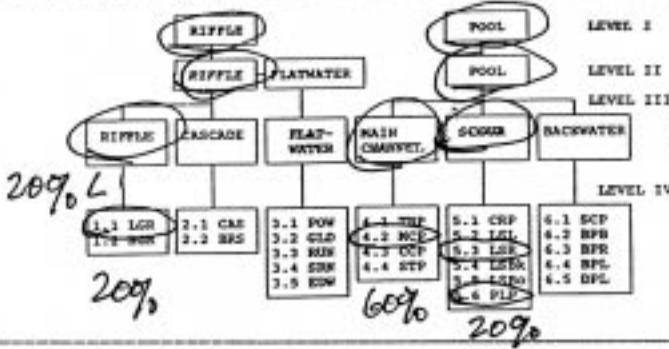
FISH SAMPLING DATA SHEET

DATE 7/19/96 TIME 1300 STREAM Palomares Creek @ confluence STATION NO. 3
 LOCATION 20/ Eden Canyon Creek, opposite Palomares School COUNTY Alameda
 USGS HYDRO. BASIN _____ LAT/LONG _____ T _____ R _____ S _____ USGS QUAD Hayward 7.5'
 ELEVATION _____ STREAM ORDER _____ CHANNEL GRADIENT (ft/mi) = DS _____ - US _____ / DISTANCE = _____
 FLOODPLAIN WIDTH (ft) 12.7 / BANKFULL WIDTH (ft) 10.1 = CONFINEMENT 1.3
 BANKFULL WIDTH (ft) _____ / BANKFULL DEPTH (ft) _____ = WIDTH/DEPTH RATIO _____

10 / 79°F TEMP. (AIR) _____ pH _____ FLOW METER: _____
2 / 64°F TEMP. (SURFACE) _____ CONDUCTIVITY (mho) _____ AVG. WIDTH (ft): _____
 _____ TEMP. (_____ ft) _____ OXYGEN (ppm) _____ D (ft) _____ V (fps) _____

30 SEC. LENGTH (ft) 1 EMERGENT VEG. % 1 TURBIDITY (1-5) _____
220 MAX. DEPTH (ft) 90 ROOTED VEG. % 90 SHADE % (min) _____
0 ALGAL MATS % 2.5 DISTURBANCE RTG (1-5) _____
cm Solid root wads Sedimentation

HABITAT TYPE:



Deep plunge pool made d/s from frontage rd. xing on Eden Canyon Creek.

NO. FED/STATE LISTED T/E SPECIES 0 PERCENT NATIVE FISHES BY ABUND. (1-3) 3 TOTAL NO. SPP 3
 PERCENT NATIVE FISH SPP 100 YOY IN SAMPLE (1-3) 3 SALMONID ABUND. (1-3) 0 SCULPIN ABUND. (1-3) 0
 NO. FISH PARASITIZED: Nat: 0 of _____ Intro: _____ of _____ OTHER (1-5) _____

FISHES (No./Size Range) TL/PL COLLECTORS: Coody/Whitt

- * *Cottostomus occidentalis* 195, 215, 195, 85, 109, 85, 110, 111, 95, 98, 115, 86, 51, 37, 35, 71 + 1000 observed 20-40mm TL
- * *Hesperoleucus symmetricus* 128, 48, 86, 76, 55, 46, 55, 53, 45, 60, 62 + 50 observed 20-40mm TL
- * *Boosterostes aculeatus* 60, 32, 32, 40, 35, 30, 51

Californis menist larva (6)
Ranid frog talpote (1)

INSTREAM SHELTER RATING:

Relative Degree of Cover	Protection from Stream Velocity (1)	Visual Isolation (2)	Light Reduction (3)
None	0	0	0
Moderate	1	1	1
Major	2	2	2

- 1) Reduced current provided by stream hydraulic features, submergal vegetation, channel configuration, bankfull, etc.
 - None = Exposed to Current
 - Moderate = Adjacent to Current w/ slight Protection
 - Major = Complete Current Protection
- 2) Reduction in horizontal "line-of-sight".
 - None = Open
 - Moderate = Partially Obscured
 - Major = Heavily Obscured
- 3) Reduced light provided by turbidity, overhanging vegetation, undercut banks, etc.
 - None = Bright
 - Moderate = Dusk
 - Major = Dark

ryparian overstory

pool pool riffle
 SUBSTRATE RATING: T₁ 1 1 T₂ 2 2 T₃ 3 3 T₄ 4 4 T₅ 5 5

	D	43	35	13	30	25	34	3	5	7						
1		100	80	90	80	40	100			10						
2					20	40										
3		20	10		20			90	80	80						
4								10	20	10						
5																
6																

Substrate:	Number
1) Silt / Clay	= 56
2) Sand (<0.08)	= 7
3) Gravel (0.08 - 2.5")	= 33
4) Cobble (2.5 - 10")	= 4
5) Boulder (>10")	=
6) Bedrock	=

M	1	2	3
WC	5.2	11.3	3.2
BF	11.4	12.3	6.5
FP	15.2	12.3	10.5

NOTES: Confluence of Palomares and Eden Canyon Creeks. Pools taken w/ fine silt. Excellent riparian overstory. Good spawning-sized gravels in riffles (0.5-1.5" diam). Need to refine rip/s. Excellent look at aerial ranshatts along creek. Good nursery habitat for native minnows + suckers.

Appendix 2
Database Dictionary

Bay Area Stream Fishes, Version 1.0

Database Dictionary

June 1999

TABLE SUMMARY

Table Name	Number of Columns	Primary Key
COLLECTORS	4	CLLR_ID
COUNTY	2	CNTY_ID
FAMILY	3	FAM_ID
LINK_CLLR	2	(SAMP_ID, CLLR_ID)
LINK_CNTY	2	(STN_ID, CNTY_ID)
SAMPLING	7	SAMP_ID
SPECIES	7	SPP_ID
SPP_LENGTH	3	SPLN_ID
SPP_LIST	5	SPLT_ID
SPP_RATINGS	5	SAMP_ID
STATION	6	STN_ID
STREAM	4	STRM_ID
USGS_QUAD	2	QUAD_ID
WATERSHED	2	WSHED_ID

Table: COLLECTORS

Contains list of all survey collectors.

Field	Type	Size	Description
CLLR_ID	Text	10	Unique ID for each collector
CLLR_LNAME	Text	50	Last name of collector
CLLR_FNAME	Text	50	First name of collector
CLLR_AFFILTN	Text	100	Collector's affiliation

Table: COUNTY

Master list of all counties.

Field	Type	Size	Description
CNTY_ID	Text	10	Unique ID for each county
CNTY_NAME	Text	50	Name of county as identified from USGS 7.5' quadrangle.

Table: FAMILY

Master list of all taxonomic families.

Field	Type	Size	Description
FAM_ID	Text	10	Unique ID for each family
FAM_NAME	Text	50	Family name
FAM_SEQ	Long Integer		Family sequence

Table: LINK_CLLR

Links collectors to survey events.

Field	Type	Size	Description
SAMP_ID	Text	10	Survey event ID
CLLR_ID	Text	10	Collector ID

Table: LINK_CNTY

Links stations to counties.

Field	Type	Size	Description
STN_ID	Text	10	Station ID
CNTY_ID	Text	10	County ID

Table: SAMPLING

Stores all survey event information.

Field	Type	Size	Description
SAMP_ID	Text	10	Unique ID for each survey event
STN_ID	Text	10	Station ID
COLL_DATE	Date/Time	8	Collection date (mm/dd/yy)
COLL_TIME	Text	4	Collection time (24 hour time notation)
SPP_FLAG	Integer		Marks presence or absence of recorded fish species for survey event (0 = species recorded, 1 = no species recorded)
COLL_NOTES	Memo		Collection notes as transcribed off field datasheet
SHEET_ID	Text	10	Unique ID which identifies each field datasheet

Table: SPECIES

Master list of all species.

Field	Type	Size	Description
SPP_ID	Text	10	Unique ID for each species
GENUS	Text	50	Generic name
SPNAME	Text	50	Specific name
COMMNAME	Text	50	Species common name
NATIVE	Text	10	Species native designation (Native or Introduced)
SPP_SEQ	Long Integer		Species phylogenetic sequence
FAM_ID	Text	10	Family ID

Table: SPP_LENGTH

Stores all individually measured species lengths.

Field	Type	Size	Description
SPLN_ID	Long Integer	10	System created unique ID for each individual length
SPLT_ID	Text	10	Species list ID
LENGTH	Long Integer	8	Fork lengths or total length of individuals (-9 stored for no lengths measured)

Table: SPP_LIST

Contains list of all sampled species.

Field	Type	Size	Description
SPLT_ID	Text	10	Unique ID for each recorded species
SAMP_ID	Text	10	Survey event ID
SPP_ID	Text	50	Species ID
ABUND_NOTES	Text	255	Abundance notes about each recorded species as transcribed off the field datasheet
SPLT_NOTES	Text	255	Other miscellaneous notes about each recorded species

Table: SPP_RATINGS

Stores field collector assigned species ratings.

Field	Type	Size	Description
SAMP_ID	Text	10	Survey event ID
NATVE_ABUND	Integer		Percent native fishes abundance rating (0-3) as assigned by collector
SALMD_ABUND	Integer		Salmonid abundance rating (0-3) as assigned by collector
SCULP_ABUND	Integer		Sculpin abundance rating (0-3) as assigned by collector
SAMP_YOY	Integer		Total year-of-young rating (0-3) as assigned by collector

Table: STATION

Master list of all survey stations.

Field	Type	Size	Description
STN_ID	Text	10	Unique ID for each station
STN_LOC	Text	255	Station location description
STRM_ID	Text	10	Stream ID
QUAD_ID	Text	10	USGS Quadrangle ID
LEIDY_STN	Text	10	Original Leidy station number as transcribed off the survey datasheet
ARCHIVE_LOC	Text	255	Archive of station location description as transcribed off the survey datasheet

Table: STREAM

Master list of all streams.

Field	Type	Size	Description
STRM_ID	Text	10	Unique ID for each stream
STRM_NAME	Text	50	Stream name as determined from USGS 7.5' Quadrangle.
STRM_NAME_ALT	Text	50	Stream name alternative
WSHED_ID	Text	10	Watershed ID

Table: USGS_QUAD

Master list of all USGS 7.5' quadrangles.

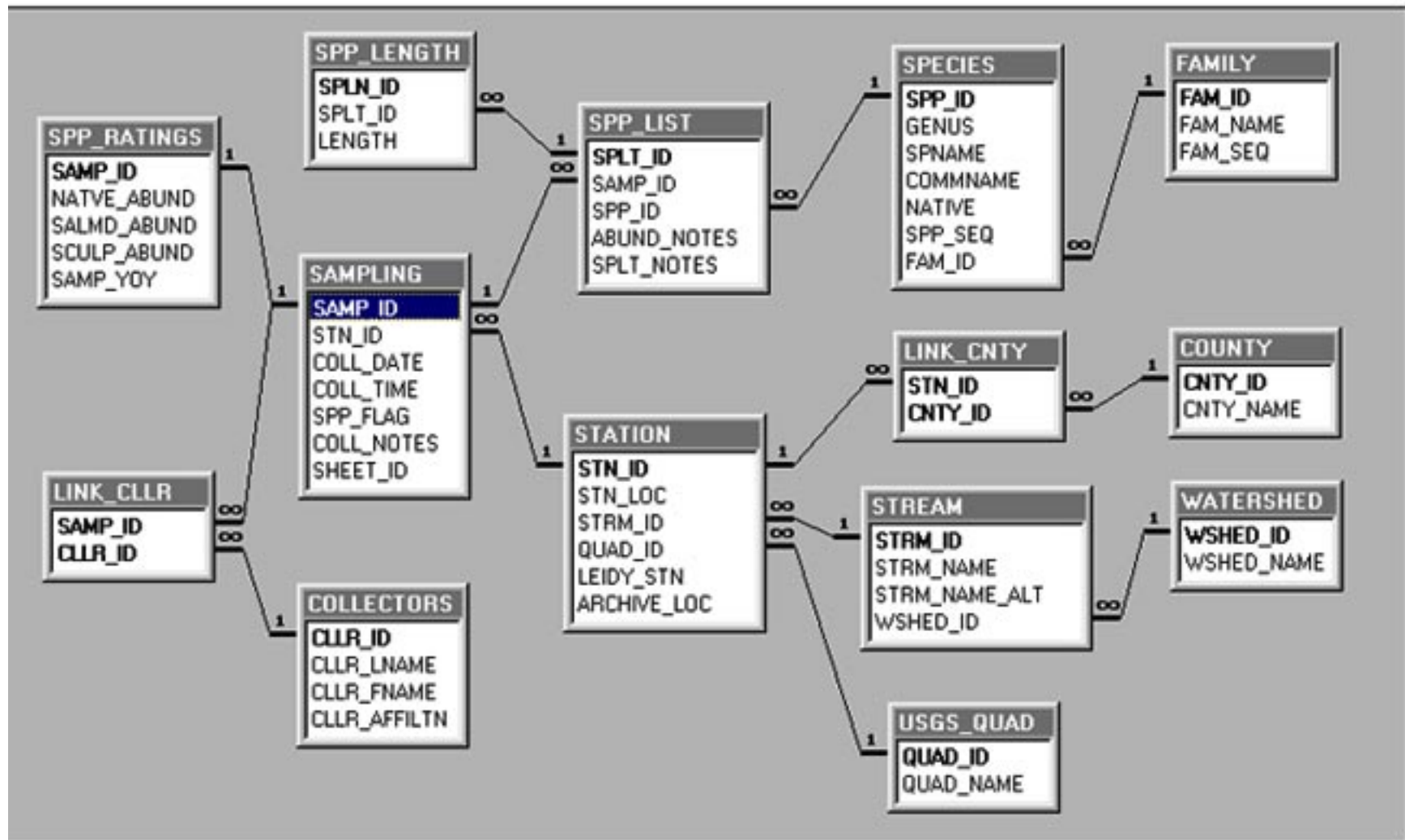
Field	Type	Size	Description
QUAD_ID	Text	10	Unique ID for each USGS Quadrangle
QUAD_NAME	Text	50	USGS 7.5' Quadrangle name.

Table: WATERSHED

Master list of all watersheds.

Field	Type	Size	Description
WSHED_ID	Text	10	Unique ID for each watershed
WSHED_NAME	Text	100	Watershed name

Bay Area Stream Fishes, Version 1.0, Database Design



Section II
Survey Event Summary

Robert A. Leidy Fish Survey 1992-1998

Survey Event Summary

Bay Area Stream Fishes, Version 1.0

Alameda Creek Watershed

Alameda Creek Stations

STN0002 Alameda Creek, 0.4 km upstream from railroad crossing off San Francisco Water District south bank access road; Niles Canyon

Collection Date: 3/24/93 **SFEI Sheet ID:** LF016

STN0003 Alameda Creek, 0.8 km downstream from Camp Ohlone, at bedrock-boulder reach

Collection Date: 6/11/92 **SFEI Sheet ID:** LF006

Collection Date: 7/2/92 **SFEI Sheet ID:** LF009

Collection Date: 9/17/92 **SFEI Sheet ID:** LF010

STN0004 Alameda Creek, 0.8 km upstream from Old Canyon Road bridge crossing within Regional Park

Collection Date: 8/2/93 **SFEI Sheet ID:** LF025

STN0005 Alameda Creek, 100 m downstream from Highway 680 crossing

Collection Date: 4/27/94 **SFEI Sheet ID:** LF035

STN0006 Alameda Creek, 100 m upstream from confluence with Arroyo de la Laguna Creek

Collection Date: 4/29/92 **SFEI Sheet ID:** LF004

STN0007 Alameda Creek, 400 m downstream from Alameda Diversion Tunnel Dam to Calaveras Reservoir

Collection Date: 8/10/93 **SFEI Sheet ID:** LF028

STN0008 Alameda Creek, approximately 0.3 km upstream from railroad tunnel at entrance to San Francisco Water District access road, within Niles Canyon

Collection Date: 5/7/92 **SFEI Sheet ID:** LF005

Collection Date: 3/24/93 **SFEI Sheet ID:** LF015

STN0009 Alameda Creek, approximately 0.75 km downstream from Camp Ohlone, at bedrock falls area

Collection Date: 5/26/93 **SFEI Sheet ID:** LF018

STN0010	Alameda Creek, approximately 0.75 km downstream from Camp Ohlone, at bedrock falls area, immediately upstream from STN0009 (LeidyStn#1655FA)	Collection Date: 5/26/93	SFEI Sheet ID: LF019
STN0011	Alameda Creek, approximately 0.8 km downstream from Camp Ohlone Wilderness at bottom of rock plunge pool	Collection Date: 4/10/92	SFEI Sheet ID: LF001
STN0012	Alameda Creek, approximately 1 km downstream from the confluence with Arroyo de la Laguna Creek	Collection Date: 4/29/92	SFEI Sheet ID: LF003
STN0013	Alameda Creek, approximately 1.2 km downstream from Calaveras Reservoir diversion dam along Alameda Creek	Collection Date: 6/18/92	SFEI Sheet ID: LF007
STN0014	Alameda Creek, approximately 200 m upstream from crossing of wooden car bridge above headquarters in Sunol Regional Wilderness	Collection Date: 5/26/93	SFEI Sheet ID: LF020
STN0015	Alameda Creek, approximately 350 m downstream from Alameda Diversion Tunnel Dam to Calaveras Reservoir	Collection Date: 8/10/93	SFEI Sheet ID: LF029
STN0016	Alameda Creek, approximately 400 m downstream from the Highway 680 crossing, at base of bluff adjacent to golf course	Collection Date: 4/27/94	SFEI Sheet ID: LF036
STN0017	Alameda Creek, approximately 50 m downstream from confluence with Arroyo de la Laguna Creek	Collection Date: 5/28/93	SFEI Sheet ID: LF021
STN0018	Alameda Creek, approximately 75 m upstream from confluence with Calaveras Creek	Collection Date: 4/10/92	SFEI Sheet ID: LF002
STN0019	Alameda Creek, at base of Spring Valley Water Company Diversion Dam	Collection Date: 8/30/96	SFEI Sheet ID: LF038
STN0020	Alameda Creek, at Camp Ohlone Wilderness, immediately opposite the caretaker's residence	Collection Date: 11/19/93	SFEI Sheet ID: LF034
STN0021	Alameda Creek, at Old Spring Valley Water Company Diversion Dam, downstream pool at base of dam	Collection Date: 4/27/94	SFEI Sheet ID: LF037

STN0022	Alameda Creek, at pool immediately downstream of Old Spring Valley Water Company diversion dam	Collection Date: 8/10/93	SFEI Sheet ID: LF026
		Collection Date: 10/19/93	SFEI Sheet ID: LF032
		Collection Date: 11/18/93	SFEI Sheet ID: LF033
STN0023	Alameda Creek, at treatment plant bridge approximately 0.6 km downstream of Calaveras Road crossing	Collection Date: 6/3/93	SFEI Sheet ID: LF022
STN0024	Alameda Creek, below Little Yosemite bedrock fall	Collection Date: 6/18/92	SFEI Sheet ID: LF008
STN0025	Alameda Creek, Camp Ohlone, 0.8 km upstream of STN0026 (LeidyStn#1658F), opposite Walnut Orchard	Collection Date: 11/14/92	SFEI Sheet ID: LF013
STN0026	Alameda Creek, Camp Ohlone, directly opposite entrance, 100 m upstream of road crossing	Collection Date: 11/14/92	SFEI Sheet ID: LF012
STN0027	Alameda Creek, Camp Ohlone Wilderness, immediately opposite the caretaker's residence, at isolated pools (2 pools 100 m apart)	Collection Date: 11/14/92	SFEI Sheet ID: LF014
STN0028	Alameda Creek, downstream of Alvarado Road, opposite junction of Falcon Drive and Lowry Road	Collection Date: 8/2/93	SFEI Sheet ID: LF023
STN0029	Alameda Creek, immediately downstream from Alameda Diversion Tunnel Dam to Calaveras Reservoir	Collection Date: 8/10/93	SFEI Sheet ID: LF030
STN0030	Alameda Creek, immediately downstream of Spring Valley Water Company Diversion Dam (run-pool-riffle area)	Collection Date: 8/30/96	SFEI Sheet ID: LF039
STN0031	Alameda Creek, immediately upstream from STN0008 (LeidyStn#1606FA), at diversion inflow, on San Francisco Water District property, Niles Canyon	Collection Date: 3/24/93	SFEI Sheet ID: LF017
STN0032	Alameda Creek, isolated pool 400 m downstream from Isherwood Way bridge (50 m downstream from intersection of Dominici Drive and Nuttman Drive)	Collection Date: 8/2/93	SFEI Sheet ID: LF024

STN0033	Alameda Creek, Little Yosemite, 100 m downstream from cattle grate on dirt road	Collection Date: 9/17/92	SFEI Sheet ID: LF011
<hr/>			
STN0034	Alameda Creek, Niles Canyon at Alameda Flood Control District Park, opposite Kaiser Quarry	Collection Date: 10/18/93	SFEI Sheet ID: LF031
<hr/>			
STN0035	Alameda Creek, opposite Pacific Nursery at backwater road crossing, approximately 0.5 km upstream from Old Spring Valley Water Company diversion dam, Niles Canyon	Collection Date: 8/10/93	SFEI Sheet ID: LF027
<hr/>			

Arroyo de la Laguna Creek Stations

STN0040	Arroyo de la Laguna Creek, 0.5 km downstream from Bernal Road bridge	Collection Date: 12/30/93	SFEI Sheet ID: LF048
<hr/>			
STN0041	Arroyo de la Laguna Creek, 100 m upstream from confluence with Alameda Creek	Collection Date: 3/22/93	SFEI Sheet ID: LF040
		Collection Date: 5/28/93	SFEI Sheet ID: LF041
<hr/>			
STN0042	Arroyo de la Laguna Creek, approximately 0.8 km upstream from the Highway 84 bridge crossing	Collection Date: 6/2/93	SFEI Sheet ID: LF043
<hr/>			
STN0043	Arroyo de la Laguna Creek, approximately 250 m upstream from confluence with Alameda Creek	Collection Date: 5/28/93	SFEI Sheet ID: LF042
<hr/>			
STN0044	Arroyo de la Laguna Creek, at Castlewood Road bridge	Collection Date: 7/18/96	SFEI Sheet ID: LF051
<hr/>			
STN0045	Arroyo de la Laguna Creek, from Bernal Road bridge, upstream 100 m	Collection Date: 5/4/94	SFEI Sheet ID: LF050
<hr/>			
STN0046	Arroyo de la Laguna Creek, from Castlewood Road bridge, upstream 50 m	Collection Date: 12/30/93	SFEI Sheet ID: LF049
<hr/>			
STN0047	Arroyo de la Laguna Creek, from confluence with Alameda Creek, upstream 75 m	Collection Date: 10/19/93	SFEI Sheet ID: LF047
<hr/>			
STN0048	Arroyo de la Laguna Creek, immediately downstream of abandoned railroad bridge crossing	Collection Date: 6/2/93	SFEI Sheet ID: LF044
<hr/>			

STN0049 Arroyo de la Laguna Creek, pool downstream of footbridge crossing off of Pleasanton-Sunol Road
Collection Date: 6/3/93 **SFEI Sheet ID:** LF045

STN0050 Arroyo de la Laguna Creek, pool immediately upstream of footbridge crossing off of Pleasanton-Sunol Road
Collection Date: 6/3/93 **SFEI Sheet ID:** LF046

Arroyo Hondo Creek Stations

STN0051 Arroyo Hondo Creek, 1.25 km upstream from Marsh Road bridge, above Calaveras Reservoir
Collection Date: 9/30/93 **SFEI Sheet ID:** LF179

STN0052 Arroyo Hondo Creek, 1.5 km upstream from Marsh Road bridge
Collection Date: 9/30/93 **SFEI Sheet ID:** LF180

STN0053 Arroyo Hondo Creek, approximately 0.25 km upstream from Marsh Road bridge, at 3 large pools
Collection Date: 9/21/93 **SFEI Sheet ID:** LF177

STN0054 Arroyo Hondo Creek, approximately 0.3 km upstream from Marsh Road bridge, above Calaveras Reservoir
Collection Date: 9/21/93 **SFEI Sheet ID:** LF176

STN0055 Arroyo Hondo Creek, approximately 1 km upstream from Marsh Road bridge above Calaveras Reservoir
Collection Date: 9/30/93 **SFEI Sheet ID:** LF178

Arroyo Mocho Creek Stations

STN0056 Arroyo Mocho Creek, from Wente Road crossing, downstream 25 m
Collection Date: 12/30/93 **SFEI Sheet ID:** LF052

Arroyo Valle Creek Stations

STN0058 Arroyo Valle Creek, Bernal Corporate Park at Valley Avenue, Koll Center opposite Day Care
Collection Date: 5/4/94 **SFEI Sheet ID:** LF054

STN0059 Arroyo Valle Creek, opposite North Creek business park, approximately 0.8 km upstream from the confluence with Arroyo de la Laguna Creek

Collection Date: 7/18/96 **SFEI Sheet ID:** LF055

STN0060 Arroyo Valle Creek, opposite Veterans Administration Hospital, below Del Valle Reservoir

Collection Date: 8/11/93 **SFEI Sheet ID:** LF053

Indian Creek (Alameda County) Stations

STN0123 Indian Creek (Alameda County), approximately 0.3 km upstream from road crossing along San Antonio Reservoir

Collection Date: 2/5/97 **SFEI Sheet ID:** LF078

La Costa Creek Stations

STN0129 La Costa Creek, 0.4 km upstream from confluence with San Antonio Creek

Collection Date: 10/1/93 **SFEI Sheet ID:** LF056

STN0130 La Costa Creek, 100 m downstream from ranch house at Water District property boundary

Collection Date: 10/14/93 **SFEI Sheet ID:** LF058

STN0131 La Costa Creek, 400 m upstream from confluence with San Antonio Creek (50 m upstream from STN0129 (LeidyStn#1634F))

Collection Date: 10/14/93 **SFEI Sheet ID:** LF057

San Antonio Creek Stations

STN0195 San Antonio Creek, at first road crossing upstream from reservoir

Collection Date: 2/5/97 **SFEI Sheet ID:** LF063

STN0196 San Antonio Creek, from confluence with La Costa Creek, upstream 30 m

Collection Date: 2/5/97 **SFEI Sheet ID:** LF064

Tassajara Creek Stations

STN0241 Tassajara Creek, at Tassajara Regional Land Bank, from bridge, upstream 50 m

Collection Date: 5/30/94 **SFEI Sheet ID:** LF071

Vallecitos Creek Stations

STN0247 Vallecitos Creek, at South Bay aqueduct input at San Antonio Road crossing
Collection Date: 10/14/93 **SFEI Sheet ID:** LF072

Alameda del Prado Creek Watershed

Unnamed Tributary to Alameda del Prado Drainage Stations

STN0245 Unnamed Tributary to Alameda del Prado Drainage, off Highway 101, adjacent to Marin Valley Drive, approximately 0.4 km upstream from Meadow Park School
Collection Date: 6/6/97 **SFEI Sheet ID:** LF144

Arroyo Corte Madera del Presidio Creek Watershed

Arroyo Corte Madera del Presidio Creek Stations

STN0036 Arroyo Corte Madera del Presidio Creek, at La Goma Street bridge, Mill Valley
Collection Date: 7/18/97 **SFEI Sheet ID:** LF114

STN0037 Arroyo Corte Madera del Presidio Creek, at pool downstream from Park Avenue bridge, Mill Valley
Collection Date: 7/18/97 **SFEI Sheet ID:** LF115

STN0038 Arroyo Corte Madera del Presidio Creek, at pools immediately upstream and downstream of Marsh Road crossing on West Blithedale Road, Mill Valley
Collection Date: 7/18/97 **SFEI Sheet ID:** LF116

STN0039 Arroyo Corte Madera del Presidio Creek, immediately downstream from Presidio Road bridge at Millwood Road
Collection Date: 7/19/97 **SFEI Sheet ID:** LF117

Cascade Creek Stations

STN0072 Cascade Creek, approximately 50 m upstream from confluence with Old Mill Creek

Collection Date: 7/19/97 **SFEI Sheet ID:** LF119

Old Mill Creek Stations

STN0174 Old Mill Creek, approximately 0.8 km downstream from Cascade Dam (right branch), immediately adjacent to Cascade Drive

Collection Date: 7/19/97 **SFEI Sheet ID:** LF140

Warner Canyon Creek Stations

STN0261 Warner Canyon Creek, at Boyle Park off East Blithedale Road and Elm Boulevard

Collection Date: 7/18/97 **SFEI Sheet ID:** LF143

Arroyo San Jose Creek Watershed

Arroyo San Jose Creek Stations

STN0057 Arroyo San Jose Creek, opposite business park at end of Digital Drive, Novato Business Park

Collection Date: 6/6/97 **SFEI Sheet ID:** LF118

Cerrito Creek Watershed

Cerrito Creek Stations

STN0073 Cerrito Creek, from frontage road at Interstate 80, upstream for 50 m

Collection Date: 12/9/93 **SFEI Sheet ID:** LF073

Corte Madera Creek Watershed

Corte Madera Creek (Marin County) Stations

STN0076	Corte Madera Creek (Marin County), at Sylvan Road bridge, at fire department in Ross		
Collection Date:	7/7/93	SFEI Sheet ID:	LF120
<hr/>			
STN0077	Corte Madera Creek (Marin County), from fish ladder, upstream past Ross Post Office		
Collection Date:	12/31/93	SFEI Sheet ID:	LF122
<hr/>			
STN0078	Corte Madera Creek (Marin County), from Winship Road crossing, upstream 30 m		
Collection Date:	12/31/93	SFEI Sheet ID:	LF123
<hr/>			
STN0080	Corte Madera Creek (Marin County), in Creek Park, immediately downstream from bridge/walkway		
Collection Date:	7/12/93	SFEI Sheet ID:	LF121
<hr/>			
STN0081	Corte Madera Creek (Marin County), opposite Ross Post Office (Poplar Avenue), from fishway and channelized reach, upstream 30 m		
Collection Date:	7/14/97	SFEI Sheet ID:	LF124
<hr/>			

Fairfax Creek Stations

STN0109	Fairfax Creek, in Fairfax Park, large pool 20 m downstream from footbridge at school and tennis courts, Fairfax (off Park Road)		
Collection Date:	7/14/97	SFEI Sheet ID:	LF125
<hr/>			

Ross Creek Stations

STN0192	Ross Creek, approximately 50 m downstream from Phoenix Park parking lot, below Phoenix Lake		
Collection Date:	7/14/97	SFEI Sheet ID:	LF141
<hr/>			

San Anselmo Creek Stations

STN0194	San Anselmo Creek, at old concrete diversion dam at end of Pacheco Avenue, Fairfax		
Collection Date:	7/8/97	SFEI Sheet ID:	LF142
<hr/>			

Coyote Creek Watershed

Cow Creek Stations

STN0082 Cow Creek, approximately 0.8 km upstream from road crossing upstream of confluence with San Felipe Creek

Collection Date: 6/3/97 **SFEI Sheet ID:** LF183

Coyote Creek Stations

STN0083 Coyote Creek, 20 m downstream from Anderson Dam spillway

Collection Date: 8/19/93 **SFEI Sheet ID:** LF187

STN0084 Coyote Creek, approximately 0.3 km downstream from USGS benchmark 995 (1.5 km upstream from old road crossing to Gilroy Hot Springs, Henry Coe State Park)

Collection Date: 8/31/95 **SFEI Sheet ID:** LF199

STN0085 Coyote Creek, approximately 0.4 km upstream from entrance to Henry Coe State Park at old bridge crossing, upstream from new bridge

Collection Date: 9/27/93 **SFEI Sheet ID:** LF189

Collection Date: 8/26/95 **SFEI Sheet ID:** LF198

STN0086 Coyote Creek, approximately 0.8 km upstream from Metcalf Canyon Road crossing

Collection Date: 9/28/93 **SFEI Sheet ID:** LF191

STN0087 Coyote Creek, approximately 100 m upstream from Model Airplane Park

Collection Date: 9/27/93 **SFEI Sheet ID:** LF190

STN0088 Coyote Creek, approximately 50 m upstream from Model Airplane Park

Collection Date: 9/27/93 **SFEI Sheet ID:** LF188

STN0089 Coyote Creek, at confluence with creek entering left bank where road leaves creek towards Coit Camp, Henry Coe State Park

Collection Date: 8/31/95 **SFEI Sheet ID:** LF200

STN0090 Coyote Creek, at Kelley Park

Collection Date: 8/17/93 **SFEI Sheet ID:** LF186

STN0091	Coyote Creek, begin approximately 50 m upstream from road crossing to public golf course, south of South Coyote Creek	Collection Date: 7/28/95	SFEI Sheet ID: LF197
STN0092	Coyote Creek, downstream of old Tennant Road crossing (washed out), off of Highway 101 (opposite mitigation basin)	Collection Date: 3/25/94	SFEI Sheet ID: LF192
STN0093	Coyote Creek, off Empire Street, at Fred Watson Park, San Jose	Collection Date: 7/28/95	SFEI Sheet ID: LF196
STN0094	Coyote Creek, opposite 'OCTel' Company parking lot, off of Murphy Ranch Road	Collection Date: 7/28/95	SFEI Sheet ID: LF194
STN0095	Coyote Creek, opposite LSI Logic Corporation buildings, approximately 0.7 km downstream from Trimble Road crossing	Collection Date: 7/28/95	SFEI Sheet ID: LF195
STN0096	Coyote Creek, opposite Old Cottonwood Lake	Collection Date: 8/17/93	SFEI Sheet ID: LF184
STN0097	Coyote Creek, opposite public golf course, at large pool	Collection Date: 3/25/94	SFEI Sheet ID: LF193
STN0098	Coyote Creek, East Fork, approximately 0.2 km downstream from turnoff to Flying Ranch, approximately 0.5 km downstream from entrance of Water Gulch	Collection Date: 9/8/95	SFEI Sheet ID: LF204
STN0099	Coyote Creek, East Fork, approximately 0.5k downstream from ranch house turnoff downstream from confluence with Water Gulch, Henry Coe State Park	Collection Date: 9/8/95	SFEI Sheet ID: LF203
STN0100	Coyote Creek, Middle Fork, approximately 100 m downstream from Upper Camp Site at large boulder pool, Henry Coe State Park	Collection Date: 9/8/95	SFEI Sheet ID: LF202
		Collection Date: 4/8/97	SFEI Sheet ID: LF205
STN0101	Coyote Creek, Middle Fork, at small bedrock pool approximately 50 m downstream from road crossing at Poverty Flat	Collection Date: 8/31/95	SFEI Sheet ID: LF201

Hoover Creek Stations

STN0122 Hoover Creek, approximately 1.2 km upstream from confluence with Packwood Creek (Hoover Valley, Los Heucos Ranch)

Collection Date: 7/24/97 **SFEI Sheet ID:** LF209

Kelly Cabin Creek Stations

STN0126 Kelly Cabin Creek, approximately 0.3 km upstream from confluence with East Fork of Coyote Creek, at large pool boulder area

Collection Date: 8/31/95 **SFEI Sheet ID:** LF210

San Felipe Creek Stations

STN0197 San Felipe Creek, 0.5 km downstream from confluence of Cow Creek (San Felipe Ranch)

Collection Date: 7/25/97 **SFEI Sheet ID:** LF219

STN0198 San Felipe Creek, approximately 1.5 km downstream from confluence with Cow Creek, San Felipe Ranch

Collection Date: 7/25/97 **SFEI Sheet ID:** LF220

STN0199 San Felipe Creek, approximately 3.5 km upstream from San Felipe Ranch House, 100 m upstream from where road leaves San Felipe Creek, San Felipe Valley

Collection Date: 6/3/97 **SFEI Sheet ID:** LF218

STN0200 San Felipe Creek, at San Felipe Road bridge, on San Felipe Ranch, at two pools immediately downstream from bridge (San Felipe Valley)

Collection Date: 7/25/97 **SFEI Sheet ID:** LF221

Green Valley Creek Watershed

Green Valley Creek Stations

STN0113 Green Valley Creek, at Mason Road bridge, downstream 30 m to upstream side of bridge

Collection Date: 1/16/97 **SFEI Sheet ID:** LF237

STN0114	Green Valley Creek, at Pavillion Drive off of Mangelo Boulevard, approximately 0.4 km downstream from Reservoir Road bridge crossing in "new" housing development	Collection Date: 1/16/97	SFEI Sheet ID: LF238
STN0115	Green Valley Creek, immediately upstream of Highway 80 frontage road, upstream side of Highway 80	Collection Date: 7/27/96	SFEI Sheet ID: LF235
STN0116	Green Valley Creek, opposite Goodwill outlet at end of Grobrie Road at Central Way, Cordelia (below Interstate 80)	Collection Date: 4/8/98	SFEI Sheet ID: LF239
STN0117	Green Valley Creek, upstream from Country Club Road crossing	Collection Date: 1/16/97	SFEI Sheet ID: LF236
STN0118	Green Valley Creek, from railroad bridge upstream to Cordelia Road bridge	Collection Date: 4/8/94	SFEI Sheet ID: LF234

Guadalupe River Watershed

Guadalupe River Stations

STN0119	Guadalupe River, 100 m upstream from Hicks Road crossing, upstream of reservoir	Collection Date: 5/31/94	SFEI Sheet ID: LF208
STN0120	Guadalupe River, downstream from dam, 1.3 km upstream from junction of Pheasant Valley Road and Hicks Road junction	Collection Date: 6/1/94	SFEI Sheet ID: LF206
STN0121	Guadalupe River, opposite Oak Canyon Development (end of Pam Lane, off Coleman Road)	Collection Date: 6/1/94	SFEI Sheet ID: LF207

Matadero Creek Watershed

Matadero Creek Stations

STN0135	Matadero Creek, approximately 50 m downstream from Foothill Expressway		
Collection Date:	2/2/97	SFEI Sheet ID:	LF214
STN0136	Matadero Creek, at 3rd downstream crossing of Old Matadero Creek Road		
Collection Date:	2/2/97	SFEI Sheet ID:	LF213
STN0137	Matadero Creek, from Laguna Street bridge, upstream to drop structure		
Collection Date:	2/2/97	SFEI Sheet ID:	LF215

Miller Creek Watershed

Miller Creek Stations

STN0139	Miller Creek, 15 m upstream from Highway 101 overpass		
Collection Date:	7/14/93	SFEI Sheet ID:	LF128
STN0140	Miller Creek, 30 m downstream from Mt. Shasta Drive bridge, behind elementary school		
Collection Date:	7/8/97	SFEI Sheet ID:	LF131
STN0141	Miller Creek, 50 m upstream from Lucas Valley Road crossing		
Collection Date:	7/3/97	SFEI Sheet ID:	LF130
STN0142	Miller Creek, approximately 100 m downstream from Lucas Valley Road crossing		
Collection Date:	7/13/93	SFEI Sheet ID:	LF127
STN0143	Miller Creek, approximately 20 m upstream from Las Gallinas Avenue bridge		
Collection Date:	7/13/93	SFEI Sheet ID:	LF126
STN0144	Miller Creek, at bedrock pool area immediately upstream from Highway 101 crossing		
Collection Date:	6/26/97	SFEI Sheet ID:	LF129

STN0145 Miller Creek, in Marinwood Park, 20 m downstream from maintenance buildings off Miller Creek Road

Collection Date: 7/8/97 **SFEI Sheet ID:** LF132

Mount Diablo Creek Watershed

Donner Creek Stations

STN0104 Donner Creek, at entrance to watershed, approximately 75 m upstream from the end of Regency Road

Collection Date: 6/29/93 **SFEI Sheet ID:** LF080

Mount Diablo Creek Stations

STN0148 Mount Diablo Creek, 30 m upstream from Marsh Creek Road bridge, at Mt. Wilson Way

Collection Date: 6/30/93 **SFEI Sheet ID:** LF081

STN0149 Mount Diablo Creek, 50 m upstream from end of Tobi Lane (off Bailey Road), Concord

Collection Date: 6/8/98 **SFEI Sheet ID:** LF089

STN0150 Mount Diablo Creek, approximately 200 m upstream from maintenance yard near putting green

Collection Date: 6/8/98 **SFEI Sheet ID:** LF088

STN0151 Mount Diablo Creek, approximately 200 m upstream from Port Chicago Highway crossing

Collection Date: 6/5/98 **SFEI Sheet ID:** LF086

STN0152 Mount Diablo Creek, at Concord Municipal Golf Course, approximately 50 m downstream from maintenance yard

Collection Date: 6/5/98 **SFEI Sheet ID:** LF085

STN0153 Mount Diablo Creek, at Diablo Creek Golf Course, upstream from bridge near parking lot

Collection Date: 6/30/93 **SFEI Sheet ID:** LF083

STN0154 Mount Diablo Creek, at end of North Mitchell Canyon Drive (between footbridges)

Collection Date: 6/8/98 **SFEI Sheet ID:** LF090

STN0155 Mount Diablo Creek, at Kent Way and Heather Glen Ln; at old location of Brazil Quarry Park

Collection Date: 6/30/93 **SFEI Sheet ID:** LF082

STN0156 Mount Diablo Creek, from 25 m upstream of Port Chicago Highway bridge, upstream for 25 m

Collection Date: 6/8/98 **SFEI Sheet ID:** LF087

STN0157 Mount Diablo Creek, immediately downstream from confluence with Irish Canyon Creek, 200 m upstream from confluence with Mitchell Creek

Collection Date: 12/10/93 **SFEI Sheet ID:** LF084

Napa River Area (Bayland Segment D)

Napa Slough Stations

STN0165 Napa Slough, from Appleby Bay Slough, east to Devils Slough (5 minute trawl)

Collection Date: 7/15/94 **SFEI Sheet ID:** LF167

STN0166 Napa Slough, from confluence with Napa River up-slough for 5 minutes (near Coon Island)

Collection Date: 7/15/94 **SFEI Sheet ID:** LF168

Second Napa Slough Stations

STN0217 Second Napa Slough, from Skaggs Island Station, upstream 5 minutes to point approximately 100 m past Rainbow Slough

Collection Date: 7/15/94 **SFEI Sheet ID:** LF155

Third Napa Slough Stations

STN0242 Third Napa Slough, from China Slough, downstream 5 minutes to a point 100 m past Camp Four

Collection Date: 7/15/94 **SFEI Sheet ID:** LF145

Napa River Watershed

Conn Creek Stations

STN0074 Conn Creek, approximately 0.3 km upstream from confluence with Napa River, just downstream from Domain Chandon vineyard

Collection Date: 7/21/94 **SFEI Sheet ID:** LF147

STN0075 Conn Creek, at confluence with Rector Creek

Collection Date: 7/21/94 **SFEI Sheet ID:** LF146

Cyrus Canyon Creek Stations

STN0102 Cyrus Canyon Creek, approximately 0.3 km upstream from pond on Harry Clarke property

Collection Date: 8/5/97 **SFEI Sheet ID:** LF149

STN0103 Cyrus Canyon Creek, pool immediately below dam at old water supply reservoir for Calistoga

Collection Date: 7/16/97 **SFEI Sheet ID:** LF148

Dry Creek Stations

STN0105 Dry Creek, approximately 0.5 km upstream from lower one lane bridge on Dry Creek Road (Ruby Beckford's property)

Collection Date: 8/5/97 **SFEI Sheet ID:** LF152

STN0106 Dry Creek, approximately 100 m upstream from STN0105 (LeidyStn#1) on Ruby Brickford's property (approximately 0.5 km upstream from lower one lane bridge on Dry Creek Road)

Collection Date: 8/5/97 **SFEI Sheet ID:** LF153

STN0107 Dry Creek, immediately upstream from Highway 29 Frontage Road

Collection Date: 6/26/96 **SFEI Sheet ID:** LF151

STN0108 Dry Creek, opposite fire station at intersection of Oakville Grade and Dry Creek Road

Collection Date: 6/26/96 **SFEI Sheet ID:** LF150

Kimball Canyon Creek Stations

STN0127 Kimball Canyon Creek, approximately 0.3 km upstream of Kimball Reservoir
Collection Date: 7/16/97 **SFEI Sheet ID:** LF156

STN0128 Kimball Canyon Creek, at pool downstream from fall
Collection Date: 7/16/97 **SFEI Sheet ID:** LF157

Milliken Creek Stations

STN0146 Milliken Creek, approximately 20 m upstream from Westgate Drive bridge within Silverado Country Club
Collection Date: 6/11/98 **SFEI Sheet ID:** LF159

STN0147 Milliken Creek, at Atlas Peak Road bridge
Collection Date: 6/11/98 **SFEI Sheet ID:** LF158

Napa Creek Stations

STN0158 Napa Creek, approximately 50 m upstream from Jefferson Street bridge, Napa
Collection Date: 1/14/94 **SFEI Sheet ID:** LF160

Napa River Stations

STN0159 Napa River, 100 m upstream of Yountville Cross Road bridge
Collection Date: 9/1/93 **SFEI Sheet ID:** LF164

STN0160 Napa River, 200 m downstream from Oakville bridge crossing
Collection Date: 8/12/93 **SFEI Sheet ID:** LF163

STN0161 Napa River, at Pioneer Park, immediately upstream of lower spillway
Collection Date: 8/5/97 **SFEI Sheet ID:** LF166

STN0162 Napa River, at pool below Oakdale Road, at Harris Ranch
Collection Date: 8/12/93 **SFEI Sheet ID:** LF162

STN0163 Napa River, immediately downstream from Myrtdale Road bridge crossing, Calistoga

Collection Date: 8/16/93 **SFEI Sheet ID:** LF161

STN0164 Napa River, pool immediately downstream of Arizona Road crossing at water treatment plant, downstream from Kimball Canyon Dam

Collection Date: 7/16/97 **SFEI Sheet ID:** LF165

Redwood Creek (Napa County) Stations

STN0184 Redwood Creek (Napa County), along Redwood Road milepost 6.0, opposite Domaine Chandon Vineyard, Castle Rock

Collection Date: 1/14/94 **SFEI Sheet ID:** LF170

STN0186 Redwood Creek (Napa County), at Redwood Road, 0.5 km upstream from Castle Rock

Collection Date: 1/14/94 **SFEI Sheet ID:** LF169

STN0188 Redwood Creek (Napa County), from Redwood Road bridge, downstream 30 m

Collection Date: 1/14/94 **SFEI Sheet ID:** LF171

Sage Creek Stations

STN0193 Sage Creek, immediately upstream from junction of Pope Valley Road and Sage Creek Road

Collection Date: 7/27/96 **SFEI Sheet ID:** LF172

Sarco Creek Stations

STN0216 Sarco Creek, at Trancos Road bridge, from 10 m downstream to 35 m upstream

Collection Date: 8/5/93 **SFEI Sheet ID:** LF173

Suscol Creek Stations

STN0240 Suscol Creek, between Devlin Road bridge upstream to Highway 29/37 bridge

Collection Date: 1/20/97 **SFEI Sheet ID:** LF175

Unnamed Tributary to Dry Creek Stations

STN0246 Unnamed Tributary to Dry Creek, immediately upstream of Oakville Grade Road opposite fire station

Collection Date: 6/26/96 **SFEI Sheet ID:** LF154

Novato Creek Watershed

Novato Creek Stations

STN0167 Novato Creek, 30 m downstream from Diablo Avenue bridge crossing

Collection Date: 6/26/97 **SFEI Sheet ID:** LF134

STN0168 Novato Creek, 50 m section downstream from water treatment plant outfall below Stafford Dam

Collection Date: 6/27/97 **SFEI Sheet ID:** LF135

STN0169 Novato Creek, above Stafford Dam, 100 m from gravel road crossing at upper picnic area

Collection Date: 6/27/97 **SFEI Sheet ID:** LF136

STN0170 Novato Creek, approximately 1.6 km downstream of Stafford Lake Dam at bike trail turnout along Hicks Valley Road (lowermost pool)

Collection Date: 6/27/97 **SFEI Sheet ID:** LF137

STN0171 Novato Creek, approximately 1.6 km downstream of Stafford Lake Dam at bike trail turnout along Hicks Valley Road (riffle-pool reach upstream of lowermost pool)

Collection Date: 6/27/97 **SFEI Sheet ID:** LF138

STN0172 Novato Creek, at upper end of tidal influence, downstream from crossing downstream of Diablo Avenue, 20 m downstream from Burger King

Collection Date: 6/26/97 **SFEI Sheet ID:** LF133

STN0173 Novato Creek, from Hicks Valley Road bridge at Miwok Park, upstream 30 m

Collection Date: 7/3/97 **SFEI Sheet ID:** LF139

Permanente Creek Watershed

Permanente Creek Stations

STN0176	Permanente Creek, 100 m upstream from Highway 280		
Collection Date:	4/20/96	SFEI Sheet ID:	LF216
<hr/>			
STN0177	Permanente Creek, 50 m upstream from Charleston Road, downstream of US 101		
Collection Date:	4/20/96	SFEI Sheet ID:	LF217
<hr/>			

Petaluma River Watershed

Adobe Creek (Sonoma County) Stations

STN0001	Adobe Creek (Sonoma County), approximately 100 m upstream from footbridge at Rancho Adobe State Park parking lot (upstream of Adobe Road)		
Collection Date:	11/5/97	SFEI Sheet ID:	LF242
<hr/>			

Petaluma River Stations

STN0178	Petaluma River, approximately 150 m upstream of Corona Road crossing, Petaluma/Penngrove		
Collection Date:	7/14/93	SFEI Sheet ID:	LF255
<hr/>			

Pinole Creek Watershed

Pinole Creek Stations

STN0179	Pinole Creek, 1.75 km downstream from junction of Alhambra Valley Road and Pinole Valley Road		
Collection Date:	11/3/94	SFEI Sheet ID:	LF095
<hr/>			
STN0180	Pinole Creek, along Pinole Valley Road, 100 m upstream of Eastshore Freeway		
Collection Date:	10/20/94	SFEI Sheet ID:	LF092
<hr/>			

STN0181 Pinole Creek, at large pool immediately downstream from junction of Alhambra Valley Road and Castro Ranch Road

Collection Date: 11/3/94 **SFEI Sheet ID:** LF094

STN0182 Pinole Creek, from 100 m downstream of Santa Fe Railroad bridge, downstream to upper end of tidal influence

Collection Date: 10/20/94 **SFEI Sheet ID:** LF091

STN0183 Pinole Creek, opposite parking lot along Pinole Valley Road, 0.3 km upstream of Ellerhors School

Collection Date: 10/20/94 **SFEI Sheet ID:** LF093

Rodeo Creek Watershed

Rodeo Creek Stations

STN0190 Rodeo Creek, 100 m upstream of 4th Street bridge, Rodeo

Collection Date: 10/20/94 **SFEI Sheet ID:** LF096

STN0191 Rodeo Creek, immediately downstream from intersection of Willow Road and Viewpoint Road

Collection Date: 10/20/94 **SFEI Sheet ID:** LF097

San Francisquito Creek Watershed

Corte Madera Creek (Santa Clara County) Stations

STN0079 Corte Madera Creek (Santa Clara County), immediately downstream from Westridge Road crossing, Palo Alto

Collection Date: 1/28/94 **SFEI Sheet ID:** LF182

Los Trancos Creek Stations

STN0133 Los Trancos Creek, 10 m upstream from confluence with San Francisquito Creek

Collection Date: 1/28/94 **SFEI Sheet ID:** LF211

STN0134 Los Trancos Creek, 10 m upstream from confluence with San Francisquito Creek at bridge upstream from junction of Los Trancos and Piers Bridge

Collection Date: 9/22/94 **SFEI Sheet ID:** LF212

San Francisquito Creek Stations

STN0201 San Francisquito Creek, approximately 15 m downstream from Sand Hill Road crossing (opposite apartments)

Collection Date: 9/22/94 **SFEI Sheet ID:** LF223

STN0202 San Francisquito Creek, approximately 50 m upstream from Piers Bridge (at confluence with Los Trancos Creek)

Collection Date: 1/28/94 **SFEI Sheet ID:** LF222

San Leandro Creek Watershed

Indian Creek (Contra Costa County) Stations

STN0124 Indian Creek (Contra Costa County), approximately 0.5 km east of junction of Canyon Road and Pinehurst Road, along Canyon Road

Collection Date: 6/24/93 **SFEI Sheet ID:** LF077

STN0125 Indian Creek (Contra Costa County), approximately 100 m upstream from intersection of Pinehurst Road and Canyon Road

Collection Date: 6/22/93 **SFEI Sheet ID:** LF076

Redwood Creek (Alameda County) Stations

STN0185 Redwood Creek (Alameda County), at junction of Redwood Road and Pinehurst Road

Collection Date: 6/25/93 **SFEI Sheet ID:** LF061

STN0187 Redwood Creek (Alameda County), downstream of culvert at East Bay Skyline Trail intersection with Redwood Road

Collection Date: 6/21/93 **SFEI Sheet ID:** LF060

STN0189 Redwood Creek (Alameda County), within Redwood Regional Park, up Alameda Road at Old Church Picnic Site

Collection Date: 6/25/93 **SFEI Sheet ID:** LF062

San Leandro Creek Stations

STN0203 San Leandro Creek, 0.5 km upstream from the downstream-most road crossing on Pinehurst

Collection Date: 6/8/93 **SFEI Sheet ID:** LF066

STN0204 San Leandro Creek, approximately 50 m downstream from confluence with Indian Creek

Collection Date: 6/8/93 **SFEI Sheet ID:** LF065

STN0205 San Leandro Creek, at footbridge above school located upstream of East 14th Street

Collection Date: 2/21/97 **SFEI Sheet ID:** LF070

STN0206 San Leandro Creek, at Pinehurst Road, 50 m downstream of culvert

Collection Date: 6/22/93 **SFEI Sheet ID:** LF068

STN0207 San Leandro Creek, immediately downstream of MacArthur Boulevard bridge and Highway 580

Collection Date: 12/27/93 **SFEI Sheet ID:** LF069

STN0208 San Leandro Creek, in San Leandro City Park, approximately 25 m downstream from the bridge at entrance

Collection Date: 6/15/93 **SFEI Sheet ID:** LF067

San Lorenzo Creek Watershed

Palomares Creek Stations

STN0175 Palomares Creek, at confluence with Eden Canyon Creek, opposite Palomares School

Collection Date: 7/19/96 **SFEI Sheet ID:** LF059

San Mateo Creek Watershed

San Mateo Creek Stations

STN0209 San Mateo Creek, at Baywood Avenue bridge and Bridge Street

Collection Date: 12/27/93 **SFEI Sheet ID:** LF271

STN0210 San Mateo Creek, at end of Arroyo Court, just upstream of De Anza Camp Historical Marker

Collection Date: 12/27/93 **SFEI Sheet ID:** LF274

STN0211 San Mateo Creek, downstream of Tartan Trail Road crossing off of Crystal Springs Road

Collection Date: 12/27/93 **SFEI Sheet ID:** LF273

STN0212 San Mateo Creek, upstream from San Francisco Water District pipeline crossing and Sierra Drive bridge and El Cerrito Avenue

Collection Date: 12/27/93 **SFEI Sheet ID:** LF272

San Pablo Creek Watershed

San Pablo Creek Stations

STN0213 San Pablo Creek, approximately 300 m upstream from Avenida de Orinda crossing, opposite parking lot

Collection Date: 10/9/93 **SFEI Sheet ID:** LF098

San Tomas Aquinas Creek Watershed

Smith Creek Stations

STN0218 Smith Creek, approximately 200 m upstream from Mt. Hamilton Road crossing

Collection Date: 3/16/96 **SFEI Sheet ID:** LF226

STN0219 Smith Creek, between dirt ranch road crossing, upstream toward Horse Valley Reservoir

Collection Date: 6/3/97 **SFEI Sheet ID:** LF227

Saratoga Creek Watershed

Bonjetti Creek Stations

STN0063 Bonjetti Creek, within Sanborn Regional Park, approximately 0.3 km upstream from Saratoga Road

Collection Date: 4/21/96 **SFEI Sheet ID:** LF181

Saratoga Creek Stations

STN0214 Saratoga Creek, from Via Monte Drive bridge, downstream 30 m

Collection Date: 4/21/96 **SFEI Sheet ID:** LF225

STN0215 Saratoga Creek, immediately downstream from 4th Street bridge

Collection Date: 4/21/96 **SFEI Sheet ID:** LF224

Sonoma Creek Area (Bayland Segment B)

Steamboat Slough Stations

STN0233 Steamboat Slough, from island upstream of Steamboat Slough, downstream for 5 minutes

Collection Date: 7/15/94 **SFEI Sheet ID:** LF174

Sonoma Creek Watershed

Bear Creek Stations

STN0061 Bear Creek, 20 m upstream from confluence with Sonoma Creek, at Mt. Hood trailhead, in Sugarloaf Ridge State Park

Collection Date: 7/23/93 **SFEI Sheet ID:** LF243

STN0062 Bear Creek, approximately 100 m upstream from Mt. Hood Trail divergence from stream

Collection Date: 9/1/93 **SFEI Sheet ID:** LF244

Calabazas Creek Stations

STN0064 Calabazas Creek, at Atwood Ranch, from pumphouse well, upstream 30 m
Collection Date: 7/22/97 **SFEI Sheet ID:** LF251

STN0065 Calabazas Creek, at base of bedrock falls on Beltane Ranch
Collection Date: 9/16/93 **SFEI Sheet ID:** LF249

STN0066 Calabazas Creek, at Rhododendron site, immediately adjacent to road (4th upstream; 3rd downstream site)
Collection Date: 9/17/93 **SFEI Sheet ID:** LF250

STN0067 Calabazas Creek, Atwood Ranch, from Highway 129 bridge, upstream 30 m
Collection Date: 6/16/93 **SFEI Sheet ID:** LF247

STN0068 Calabazas Creek, Atwood Ranch, from pumphouse well, downstream 30 m
Collection Date: 6/16/93 **SFEI Sheet ID:** LF245

STN0069 Calabazas Creek, Atwood Ranch, from pumphouse well, upstream 30 m
Collection Date: 6/16/93 **SFEI Sheet ID:** LF246

STN0070 Calabazas Creek, second highest site above falls on Beltane Ranch
Collection Date: 9/16/93 **SFEI Sheet ID:** LF248

Carriger Creek Stations

STN0071 Carriger Creek, 50 m upstream from O'Brien Road bridge crossing
Collection Date: 12/13/97 **SFEI Sheet ID:** LF252

Graham Creek Stations

STN0110 Graham Creek, approximate elevation 960 feet, upstream of Jack London State Park
Collection Date: 10/16/94 **SFEI Sheet ID:** LF253

Mill Creek Stations

STN0138 Mill Creek, 30 m downstream from second pool downstream from road crossing at Sonoma State Hospital

Collection Date: 12/13/97 **SFEI Sheet ID:** LF254

Sonoma Creek Stations

STN0220 Sonoma Creek, 100 m downstream from Madrone Road bridge adjacent to Valley of the Moon Winery

Collection Date: 8/4/93 **SFEI Sheet ID:** LF259

STN0221 Sonoma Creek, 20 m downstream from Agua Caliente Road bridge

Collection Date: 8/5/93 **SFEI Sheet ID:** LF261

STN0222 Sonoma Creek, 50 m upstream from horse trail crossing, opposite stable parking lot in Sugarloaf Ridge State Park (Adobe Canyon)

Collection Date: 8/13/93 **SFEI Sheet ID:** LF262

STN0223 Sonoma Creek, Adobe Branch, immediately upstream of 10 impassable fall, Sugarloaf Ridge State Park

Collection Date: 7/23/98 **SFEI Sheet ID:** LF269

STN0224 Sonoma Creek, Adobe Branch, Adobe Canyon, pool at base of impassable bedrock fall, Sugarloaf Ridge State Park

Collection Date: 7/23/98 **SFEI Sheet ID:** LF268

STN0225 Sonoma Creek, at 90 degree bend in Highway 12, approximately 0.8 km downstream of Watmaugh Road crossing (at Woodworks Shop)

Collection Date: 6/16/94 **SFEI Sheet ID:** LF264

STN0226 Sonoma Creek, at Riverfront Road immediately upstream from swimming hole

Collection Date: 6/29/94 **SFEI Sheet ID:** LF265

STN0227 Sonoma Creek, from mouth, downstream to junction with Second Napa Slough

Collection Date: 7/15/94 **SFEI Sheet ID:** LF267

STN0228 Sonoma Creek, immediately upstream from Boyes Boulevard crossing

Collection Date: 6/29/94 **SFEI Sheet ID:** LF266

STN0229 Sonoma Creek, Leveroni Boulevard bridge at Harris Road, 50 m downstream from bridge, upstream to bridge

Collection Date: 8/4/93 **SFEI Sheet ID:** LF260

STN0230 Sonoma Creek, main road on Sonoma State Hospital, 30 m reach below Arnold Drive bridge

Collection Date: 7/22/93 **SFEI Sheet ID:** LF258

STN0231 Sonoma Creek, Riverside Drive at Walnut Avenue (approximately 30 m downstream of intersection)

Collection Date: 7/22/93 **SFEI Sheet ID:** LF256

Collection Date: 7/22/93 **SFEI Sheet ID:** LF257

STN0232 Sonoma Creek, upstream of Highway 126 crossing opposite parking lot at hardware store

Collection Date: 10/22/93 **SFEI Sheet ID:** LF263

Stuart Canyon Creek Stations

STN0239 Stuart Canyon Creek, approximately 50 m upstream from road crossing off of Trinity Road

Collection Date: 10/16/94 **SFEI Sheet ID:** LF270

Stevens Creek Watershed

Stevens Creek Stations

STN0234 Stevens Creek, above reservoir, at Cooley Picnic Area

Collection Date: 9/22/94 **SFEI Sheet ID:** LF231

STN0235 Stevens Creek, at Chestnut Picnic Area, below Stevens Creek dam, upstream of footbridge

Collection Date: 9/22/94 **SFEI Sheet ID:** LF230

STN0236 Stevens Creek, at McClellan Ranch Park, 20 m downstream from McClellan Road crossing

Collection Date: 9/22/94 **SFEI Sheet ID:** LF228

STN0237 Stevens Creek, downstream of East Middlefield Road crossing, opposite Whisman School Park

Collection Date: 4/20/96 **SFEI Sheet ID:** LF232

STN0238 Stevens Creek, just downstream of Monte Bello Preserve, at end of Stevens Creek Canyon Road

Collection Date: 9/22/94 **SFEI Sheet ID:** LF229

Unnamed Watershed (South of Cordelia)

Unnamed Creek (South of Cordelia) Stations

STN0243 Unnamed Creek (South of Cordelia), 100 m upstream from Highway 680 frontage Road crossing along park

Collection Date: 7/27/96 **SFEI Sheet ID:** LF240

STN0244 Unnamed Creek (South of Cordelia), 300 m upstream from Highway 680 frontage road crossing

Collection Date: 1/21/97 **SFEI Sheet ID:** LF241

Walnut Creek Watershed

Grayson Creek Stations

STN0111 Grayson Creek, approximately 100 m upstream from the confluence with Walnut Creek

Collection Date: 8/19/97 **SFEI Sheet ID:** LF074

STN0112 Grayson Creek, approximately 50 m downstream from Interstate 680, downstream for 80 m

Collection Date: 6/24/98 **SFEI Sheet ID:** LF075

Las Trampas Creek Stations

STN0132 Las Trampas Creek, approximately 100 m upstream from Pleasant Hill Road crossing; immediately downstream of concrete weir

Collection Date: 6/24/98 **SFEI Sheet ID:** LF079

Walnut Creek Stations

STN0248 Walnut Creek, 600 m downstream from Willow Pass Road

Collection Date: 11/8/93 **SFEI Sheet ID:** LF101

STN0249	Walnut Creek, approximately 100 m downstream from Highway 4 bridge/drop structure	Collection Date: 6/5/97	SFEI Sheet ID: LF110
STN0250	Walnut Creek, at Pacheco Road overcrossing	Collection Date: 11/8/93	SFEI Sheet ID: LF102
STN0251	Walnut Creek, at Willow Pass Road crossing, downstream 30 m	Collection Date: 12/9/93	SFEI Sheet ID: LF105
STN0252	Walnut Creek, boulder-riffle section below box channel at Monument Road	Collection Date: 11/9/93	SFEI Sheet ID: LF103
STN0253	Walnut Creek, from Diamond Blvd bridge, downstream 60 m	Collection Date: 12/9/93	SFEI Sheet ID: LF104
STN0254	Walnut Creek, immediately downstream of Bancroft Avenue drop structure	Collection Date: 6/5/97	SFEI Sheet ID: LF111
STN0255	Walnut Creek, immediately downstream of Highway 4 bridge/drop structure	Collection Date: 5/9/97	SFEI Sheet ID: LF106
STN0256	Walnut Creek, immediately downstream of Interstate 680 drop structure	Collection Date: 5/9/97	SFEI Sheet ID: LF108
STN0257	Walnut Creek, immediately upstream of Highway 4 bridge/drop structure	Collection Date: 5/9/97	SFEI Sheet ID: LF107
STN0258	Walnut Creek, opposite Hilton Hotel, just downstream from bridge crossing	Collection Date: 11/3/93	SFEI Sheet ID: LF099
STN0259	Walnut Creek, opposite Nissan car dealership, immediately upstream of Concord Avenue bridge	Collection Date: 11/3/93	SFEI Sheet ID: LF100
STN0260	Walnut Creek, riffle section 200 m downstream from Highway 4 bridge/drop structure	Collection Date: 6/5/97	SFEI Sheet ID: LF109

Wildcat Creek Watershed

Wildcat Creek Stations

STN0262 Wildcat Creek, immediately downstream of Verde Street bridge

Collection Date: 6/18/93 **SFEI Sheet ID:** LF113

STN0263 Wildcat Creek, Wildcat Regional Park (lower section), Station 19-85, as established by East Bay Regional Park District

Collection Date: 7/15/92 **SFEI Sheet ID:** LF112

Section III
Datasheets and Index

Robert A. Leidy Fish Survey 1992-1998
Bay Area Stream Fishes, Version 1.2

Index of Surveyed Streams by County

This summary is organized by county and stream. Please note, since streams can span several counties, some streams may be listed in more than one county.

Alameda County	Page
Alameda Creek	LF001-LF039
Arroyo de la Laguna Creek.....	LF040-LF51
Arroyo Mocho Creek.....	LF052
Arroyo Valle Creek	LF053-LF055
Cerrito Creek.....	LF073
Indian Creek (Alameda County)	LF078
La Costa Creek.....	LF056-LF058
Palomares Creek.....	LF059
Redwood Creek (Alameda County).....	LF060-LF062
San Antonio Creek	LF063-LF064
San Leandro Creek.....	LF067, LF069-LF070
Tassajara Creek	LF071
Vallecitos Creek.....	LF072

Contra Costa County	Page
Donner Creek	LF080
Grayson Creek	LF074-LF075
Indian Creek (Contra Costa County)	LF0076-LF077
Las Trampas Creek	LF079
Mount Diablo Creek	LF081-LF090
Pinole Creek	LF091-LF095
Rodeo Creek	LF096-LF097
San Leandro Creek	LF065-LF066, LF068
San Pablo Creek	LF098
Walnut Creek	LF099-LF111
Wildcat Creek	LF0112-LF113

Marin County	Page
Arroyo Corte Madera del Presidio Creek	LF114-LF117
Arroyo San Jose Creek.....	LF118
Cascade Creek	LF119
Corte Madera Creek (Marin County).....	LF120-124
Fairfax Creek	LF125
Miller Creek	LF126-LF132
Novato Creek	LF133-LF139
Old Mill Creek	LF140
Ross Creek	LF141
San Anselmo Creek	LF142
Unnamed Tributary to Alameda del Prado Drainage	LF144
Warner Canyon Creek.....	LF143

Napa County	Page
Conn Creek.....	LF146-LF147
Cyrus Canyon Creek.....	LF148-LF149
Dry Creek.....	LF150-LF153
Kimball Canyon Creek.....	LF156-LF157
Milliken Creek.....	LF158-LF159
Napa Creek.....	LF160
Napa River	LF161-LF166
Napa Slough	LF167-LF168
Redwood Creek (Napa County)	LF169-LF171
Sage Creek	LF172
Sarco Creek.....	LF173
Suscol Creek.....	LF175
Unnamed Tributary to Dry Creek	LF154

San Mateo County	Page
San Francisquito Creek.....	LF222-LF223
San Mateo Creek.....	LF271-LF274

Santa Clara County	Page
Arroyo Hondo Creek	LF176-LF180
Bonjetti Creek	LF181
Corte Madera Creek (Santa Clara County).....	LF182
Cow Creek.....	LF183
Coyote Creek	LF184, LF186-LF205
Guadalupe River.....	LF206-LF208
Hoover Creek	LF209
Kelly Cabin Creek.....	LF210
Los Trancos Creek	LF211-LF212
Matadero Creek.....	LF213-LF215
Permanente Creek.....	LF216-LF217
San Felipe Creek.....	LF218-LF221
San Francisquito Creek.....	LF222-LF223
Saratoga Creek.....	LF224-LF225
Smith Creek.....	LF226-LF227
Stevens Creek.....	LF228-LF232

Solano County	Page
Green Valley Creek	LF234-LF239
Unnamed Creek (South of Cordelia)	LF240-LF241

Sonoma County	Page
Adobe Creek (Sonoma County).....	LF242
Bear Creek.....	LF243-LF244
Calabazas Creek	LF245-LF251
Carriger Creek.....	LF252
Graham Creek.....	LF253
Mill Creek	LF254
Petaluma River	LF255
Second Napa Slough.....	LF155
Sonoma Creek.....	LF256-LF269
Steamboat Slough	LF174
Stuart Canyon Creek.....	LF270
Third Napa Slough	LF145

Robert A. Leidy Fish Survey 1992-1998

SFEI Datasheet # LF001 *

SURVEY EVENT INFORMATION

Date: 4/10/92 **Time:** 1300 **SFEI Station ID:** STN0011

Location: Alameda Creek, approximately 0.8 km downstream from Camp Ohlone Wilderness at bottom of rock plunge pool

Watershed: Alameda Creek Watershed **County:** Alameda **USGS 7.5' Quad:** CALAVERAS RESERVOIR

SPECIES LIST AND INDIVIDUAL LENGTHS

Species	Fork Length or Tail Length (mm)
<i>Oncorhynchus mykiss</i> (Rainbow trout)	140, 168
<i>Lavinia symmetricus</i> (California roach)	74, 78, 80, 80, 82, 88, 91, 95, 100, 106

FISH COMMUNITY STRUCTURE INDICES

Total Number of Species: 2 **% Native Fish Species:** 100%

SPECIES RATINGS (AS DEFINED BY R.A. LEIDY)

% Native Rating by Abundance (0-3): 3 **Salmonid Abundance (0-3):** 2

Total year-of-young in sample (0-3): 0 **Sculpin Abundance (0-3):** 0

* NOTE: This page presents selected data from one of R.A. Leidy's original field datasheets. Please see accompanying documentation for explanations of the data and their treatment. Species are listed in phylogenetic order.

Robert A. Leidy Fish Survey 1992-1998

SFEI Datasheet # LF002 *

SURVEY EVENT INFORMATION

Date: 4/10/92 **Time:** 1430 **SFEI Station ID:** STN0018

Location: Alameda Creek, approximately 75 m upstream from confluence with Calaveras Creek

Watershed: Alameda Creek Watershed **County:** Alameda **USGS 7.5' Quad:** LA COSTA VALLEY

SPECIES LIST AND INDIVIDUAL LENGTHS

Species	Fork Length or Tail Length (mm)
<i>Lavinia symmetricus</i> (California roach)	46, 50, 54, 54, 65, 68, 72, 73, 74, 77, 80
<i>Catostomus occidentalis</i> (Sacramento sucker)	67, 72, 100, 241

FISH COMMUNITY STRUCTURE INDICES

Total Number of Species: 2 **% Native Fish Species:** 100%

SPECIES RATINGS (AS DEFINED BY R.A. LEIDY)

% Native Rating by Abundance (0-3): 3 **Salmonid Abundance (0-3):** 0

Total year-of-young in sample (0-3): 3 **Sculpin Abundance (0-3):** 0

* NOTE: This page presents selected data from one of R.A. Leidy's original field datasheets. Please see accompanying documentation for explanations of the data and their treatment. Species are listed in phylogenetic order.

Robert A. Leidy Fish Survey 1992-1998

SFEI Datasheet # LF003 *

SURVEY EVENT INFORMATION

Date: 4/29/92 **Time:** 1030 **SFEI Station ID:** STN0012

Location: Alameda Creek, approximately 1 km downstream from the confluence with Arroyo de la Laguna Creek

Watershed: Alameda Creek Watershed **County:** Alameda **USGS 7.5' Quad:** NILES

SPECIES LIST AND INDIVIDUAL LENGTHS

Species	Fork Length or Tail Length (mm)
<i>Ptychocheilus grandis</i> (Sacramento squawfish)	71
<i>Lavinia symmetricus</i> (California roach)	30, 48, 54, 56, 58, 64, 68, 68, 86, 87
<i>Catostomus occidentalis</i> (Sacramento sucker)	35, 36, 38, 81, 86, 91, 111, 129, 135, 291 (plus 14 at less than 40 mm)
<i>Gasterosteus aculeatus</i> (Threespine stickleback)	28
<i>Cottus asper</i> (Prickly sculpin)	75

FISH COMMUNITY STRUCTURE INDICES

Total Number of Species: 5 **% Native Fish Species:** 100%

SPECIES RATINGS (AS DEFINED BY R.A. LEIDY)

% Native Rating by Abundance (0-3): 3 **Salmonid Abundance (0-3):** 0

Total year-of-young in sample (0-3): 3 **Sculpin Abundance (0-3):** 1

* NOTE: This page presents selected data from one of R.A. Leidy's original field datasheets. Please see accompanying documentation for explanations of the data and their treatment. Species are listed in phylogenetic order.

Robert A. Leidy Fish Survey 1992-1998

SFEI Datasheet # LF004 *

SURVEY EVENT INFORMATION

Date: 4/29/92 **Time:** 1321 **SFEI Station ID:** STN0006
Location: Alameda Creek, 100 m upstream from confluence with Arroyo de la Laguna Creek
Watershed: Alameda Creek Watershed **County:** Alameda **USGS 7.5' Quad:** NILES

SPECIES LIST AND INDIVIDUAL LENGTHS

Species	Fork Length or Tail Length (mm)
<i>Lavinia exilicauda</i> (Hitch)	96
<i>Lavinia symmetricus</i> (California roach)	52, 74, 80 (plus 100 less than 35 mm)

FISH COMMUNITY STRUCTURE INDICES

Total Number of Species: 2 **% Native Fish Species:** 100%

SPECIES RATINGS (AS DEFINED BY R.A. LEIDY)

% Native Rating by Abundance (0-3): 3 **Salmonid Abundance (0-3):** 0
Total year-of-young in sample (0-3): 3 **Sculpin Abundance (0-3):** 0

* NOTE: This page presents selected data from one of R.A. Leidy's original field datasheets. Please see accompanying documentation for explanations of the data and their treatment. Species are listed in phylogenetic order.

Robert A. Leidy Fish Survey 1992-1998 SFEI Datasheet # LF005 *

SURVEY EVENT INFORMATION

Date: 5/7/92 Time: 1100 SFEI Station ID: STN0008

Location: Alameda Creek, approximately 0.3 km upstream from railroad tunnel at entrance to San Francisco Water District access road, within Niles Canyon

Watershed: Alameda Creek Watershed County: Alameda USGS 7.5' Quad: NILES

SPECIES LIST AND INDIVIDUAL LENGTHS

Species	Fork Length or Tail Length (mm)
<i>Oncorhynchus mykiss</i> (Rainbow trout)	268, 275
<i>Cyprinus carpio</i> (Carp)	200
<i>Ptychocheilus grandis</i> (Sacramento squawfish)	115
<i>Lavinia symmetricus</i> (California roach)	30, 55, 55, 62, 62, 62, 62, 63, 66, 67, 68, 69, 73, 80, 82
<i>Catostomus occidentalis</i> (Sacramento sucker)	85, 109, 130, 135, 255

FISH COMMUNITY STRUCTURE INDICES

Total Number of Species: 5 % Native Fish Species: 80%

SPECIES RATINGS (AS DEFINED BY R.A. LEIDY)

% Native Rating by Abundance (0-3): 3 Salmonid Abundance (0-3): 1

Total year-of-young in sample (0-3): 3 Sculpin Abundance (0-3): 0

* NOTE: This page presents selected data from one of R.A. Leidy's original field datasheets. Please see accompanying documentation for explanations of the data and their treatment. Species are listed in phylogenetic order.

Robert A. Leidy Fish Survey 1992-1998

SFEI Datasheet # LF006 *

SURVEY EVENT INFORMATION

Date: 6/11/92 **Time:** 1330 **SFEI Station ID:** STN0003

Location: Alameda Creek, 0.8 km downstream from Camp Ohlone, at bedrock-boulder reach

Watershed: Alameda Creek Watershed **County:** Alameda **USGS 7.5' Quad:** CALAVERAS RESERVOIR

SPECIES LIST AND INDIVIDUAL LENGTHS

Species	Fork Length or Tail Length (mm)
<i>Oncorhynchus mykiss</i> (Rainbow trout)	51, 53, 54, 54, 56, 58, 58, 60, 62, 63, 66, 67, 67, 68, 70, 73, 76, 174, 215
<i>Lavinia symmetricus</i> (California roach)	55, 56, 56, 58, 58, 72, 72, 80, 85, 88, 89, 91

FISH COMMUNITY STRUCTURE INDICES

Total Number of Species: 2 **% Native Fish Species:** 100%

SPECIES RATINGS (AS DEFINED BY R.A. LEIDY)

% Native Rating by Abundance (0-3): 3 **Salmonid Abundance (0-3):** 3

Total year-of-young in sample (0-3): 3 **Sculpin Abundance (0-3):** 0

* NOTE: This page presents selected data from one of R.A. Leidy's original field datasheets. Please see accompanying documentation for explanations of the data and their treatment. Species are listed in phylogenetic order.

Robert A. Leidy Fish Survey 1992-1998 SFEI Datasheet # LF007 *

SURVEY EVENT INFORMATION

Date: 6/18/92	Time: 1030	SFEI Station ID: STN0013
Location: Alameda Creek, approximately 1.2 km downstream from Calaveras Reservoir diversion dam along Alameda Creek		
Watershed: Alameda Creek Watershed	County: Alameda	USGS 7.5' Quad: CALAVERAS RESERVOIR

SPECIES LIST AND INDIVIDUAL LENGTHS

Species	Fork Length or Tail Length (mm)
<i>Oncorhynchus mykiss</i> (Rainbow trout)	270 (plus 3 observed at 200-255 mm)
<i>Lavinia symmetricus</i> (California roach)	No measurements taken (100 at 50-75 mm)

FISH COMMUNITY STRUCTURE INDICES

Total Number of Species: 2 **% Native Fish Species:** 100%

SPECIES RATINGS (AS DEFINED BY R.A. LEIDY)

% Native Rating by Abundance (0-3): 3	Salmonid Abundance (0-3): 2
Total year-of-young in sample (0-3): 1	Sculpin Abundance (0-3): 0

* NOTE: This page presents selected data from one of R.A. Leidy's original field datasheets. Please see accompanying documentation for explanations of the data and their treatment. Species are listed in phylogenetic order.

Robert A. Leidy Fish Survey 1992-1998 SFEI Datasheet # LF008 *

SURVEY EVENT INFORMATION

Date: 6/18/92 **Time:** 1245 **SFEI Station ID:** STN0024

Location: Alameda Creek, below Little Yosemite bedrock fall

Watershed: Alameda Creek Watershed **County:** Alameda **USGS 7.5' Quad:** LA COSTA VALLEY

SPECIES LIST AND INDIVIDUAL LENGTHS

Species	Fork Length or Tail Length (mm)
<i>Oncorhynchus mykiss</i> (Rainbow trout)	50, 60, 64, 64, 68, 70, 74, 78, 80, 82, 90, 90, 100, 140, 155, 175, 175, 180, 190, 220, 230, 230, 250
<i>Lavinia symmetricus</i> (California roach)	55, 67, 70, 74

FISH COMMUNITY STRUCTURE INDICES

Total Number of Species: 2 **% Native Fish Species:** 100%

SPECIES RATINGS (AS DEFINED BY R.A. LEIDY)

% Native Rating by Abundance (0-3): 3 **Salmonid Abundance (0-3):** 3

Total year-of-young in sample (0-3): 3 **Sculpin Abundance (0-3):** 0

* NOTE: This page presents selected data from one of R.A. Leidy's original field datasheets. Please see accompanying documentation for explanations of the data and their treatment. Species are listed in phylogenetic order.

Robert A. Leidy Fish Survey 1992-1998

SFEI Datasheet # LF009 *

SURVEY EVENT INFORMATION

Date: 7/2/92 Time: 1015 SFEI Station ID: STN0003
Location: Alameda Creek, 0.8 km downstream from Camp Ohlone, at bedrock-boulder reach
Watershed: Alameda Creek Watershed County: Alameda USGS 7.5' Quad: CALAVERAS RESERVOIR

SPECIES LIST AND INDIVIDUAL LENGTHS

Species	Fork Length or Tail Length (mm)
<i>Oncorhynchus mykiss</i> (Rainbow trout)	70, 78, 78, 82, 92, 175, 177, 178, 187, 189, 205, 220

FISH COMMUNITY STRUCTURE INDICES

Total Number of Species: 1 % Native Fish Species: 100%

SPECIES RATINGS (AS DEFINED BY R.A. LEIDY)

% Native Rating by Abundance (0-3): 1 Salmonid Abundance (0-3): 2
Total year-of-young in sample (0-3): 1 Sculpin Abundance (0-3): 0

* NOTE: This page presents selected data from one of R.A. Leidy's original field datasheets. Please see accompanying documentation for explanations of the data and their treatment. Species are listed in phylogenetic order.

Robert A. Leidy Fish Survey 1992-1998 SFEI Datasheet # LF010 *

SURVEY EVENT INFORMATION

Date: 9/17/92 **Time:** 0930 **SFEI Station ID:** STN0003

Location: Alameda Creek, 0.8 km downstream from Camp Ohlone, at bedrock-boulder reach

Watershed: Alameda Creek Watershed **County:** Alameda **USGS 7.5' Quad:** CALAVERAS RESERVOIR

SPECIES LIST AND INDIVIDUAL LENGTHS

Species	Fork Length or Tail Length (mm)
<i>Oncorhynchus mykiss</i> (Rainbow trout)	155, 158, 167, 168, 168, 172, 173, 179, 179, 180, 198, 210, 215, 217, 224, 265 (plus approx. 500 at approximately 25-100 mm)
<i>Lavinia symmetricus</i> (California roach)	No measurements taken (100-200 at 50-75 mm)

FISH COMMUNITY STRUCTURE INDICES

Total Number of Species: 2 **% Native Fish Species:** 100%

SPECIES RATINGS (AS DEFINED BY R.A. LEIDY)

% Native Rating by Abundance (0-3): 3 **Salmonid Abundance (0-3):** 3

Total year-of-young in sample (0-3): 3 **Sculpin Abundance (0-3):** 0

* NOTE: This page presents selected data from one of R.A. Leidy's original field datasheets. Please see accompanying documentation for explanations of the data and their treatment. Species are listed in phylogenetic order.

Robert A. Leidy Fish Survey 1992-1998 SFEI Datasheet # LF011 *

SURVEY EVENT INFORMATION

Date: 9/17/92 **Time:** 1300 **SFEI Station ID:** STN0033
Location: Alameda Creek, Little Yosemite, 100 m downstream from cattle grate on dirt road
Watershed: Alameda Creek Watershed **County:** Alameda **USGS 7.5' Quad:** LA COSTA VALLEY

SPECIES LIST AND INDIVIDUAL LENGTHS

Species	Fork Length or Tail Length (mm)
<i>Oncorhynchus mykiss</i> (Rainbow trout)	154, 163, 166, 167, 170, 181, 182, 187, 187, 207, 230 (plus numerous juveniles/YOY, approximately 100)
<i>Lavinia symmetricus</i> (California roach)	No measurements taken (approx. 20-50 at 50-75 mm)

FISH COMMUNITY STRUCTURE INDICES

Total Number of Species: 2 **% Native Fish Species:** 100%

SPECIES RATINGS (AS DEFINED BY R.A. LEIDY)

% Native Rating by Abundance (0-3): 2 **Salmonid Abundance (0-3):** 3
Total year-of-young in sample (0-3): 3 **Sculpin Abundance (0-3):** 0

* NOTE: This page presents selected data from one of R.A. Leidy's original field datasheets. Please see accompanying documentation for explanations of the data and their treatment. Species are listed in phylogenetic order.

Robert A. Leidy Fish Survey 1992-1998

SFEI Datasheet # LF012 *

SURVEY EVENT INFORMATION

Date: 11/14/92 **Time:** 1030 **SFEI Station ID:** STN0026
Location: Alameda Creek, Camp Ohlone, directly opposite entrance, 100 m upstream of road crossing
Watershed: Alameda Creek Watershed **County:** Alameda **USGS 7.5' Quad:** MT DAY

SPECIES LIST AND INDIVIDUAL LENGTHS

Species	Fork Length or Tail Length (mm)
<i>Lavinia symmetricus</i> (<i>California roach</i>)	45, 54, 55, 58, 64 (plus approx. 20 more observed, same size range)

FISH COMMUNITY STRUCTURE INDICES

Total Number of Species: 1 **% Native Fish Species:** 100%

SPECIES RATINGS (AS DEFINED BY R.A. LEIDY)

% Native Rating by Abundance (0-3): 2 **Salmonid Abundance (0-3):** 0
Total year-of-young in sample (0-3): 1 **Sculpin Abundance (0-3):** 0

* NOTE: This page presents selected data from one of R.A. Leidy's original field datasheets. Please see accompanying documentation for explanations of the data and their treatment. Species are listed in phylogenetic order.

Robert A. Leidy Fish Survey 1992-1998 SFEI Datasheet # LF013 *

SURVEY EVENT INFORMATION

Date: 11/14/92 **Time:** 1145 **SFEI Station ID:** STN0025
Location: Alameda Creek, Camp Ohlone, 0.8 km upstream of STN0026 (LeidyStn#1658F), opposite Walnut Orchard
Watershed: Alameda Creek Watershed **County:** Alameda **USGS 7.5' Quad:** MT DAY

SPECIES LIST AND INDIVIDUAL LENGTHS

Species	Fork Length or Tail Length (mm)
<i>No fish recorded</i>	

FISH COMMUNITY STRUCTURE INDICES

Total Number of Species: 0 **% Native Fish Species:** 0%

SPECIES RATINGS (AS DEFINED BY R.A. LEIDY)

% Native Rating by Abundance (0-3): 0 **Salmonid Abundance (0-3):** 0
Total year-of-young in sample (0-3): 0 **Sculpin Abundance (0-3):** 0

* NOTE: This page presents selected data from one of R.A. Leidy's original field datasheets. Please see accompanying documentation for explanations of the data and their treatment. Species are listed in phylogenetic order.

Robert A. Leidy Fish Survey 1992-1998

SFEI Datasheet # LF014 *

SURVEY EVENT INFORMATION

Date: 11/14/92 Time: 1230 SFEI Station ID: STN0027

Location: Alameda Creek, Camp Ohlone Wilderness, immediately opposite the caretaker's residence, at isolated pools
(2 pools 100 m apart)

Watershed: Alameda Creek Watershed County: Alameda USGS 7.5' Quad: MT DAY

SPECIES LIST AND INDIVIDUAL LENGTHS

Species	Fork Length or Tail Length (mm)
<i>Lavinia symmetricus</i> (California roach)	42, 42, 45, 45, 48, 48, 48, 50, 52, 53, 57 (plus 125 observed)

FISH COMMUNITY STRUCTURE INDICES

Total Number of Species: 1 % Native Fish Species: 100%

SPECIES RATINGS (AS DEFINED BY R.A. LEIDY)

% Native Rating by Abundance (0-3): 2 Salmonid Abundance (0-3): 0

Total year-of-young in sample (0-3): 3 Sculpin Abundance (0-3): 0

* NOTE: This page presents selected data from one of R.A. Leidy's original field datasheets. Please see accompanying documentation for explanations of the data and their treatment. Species are listed in phylogenetic order.

Robert A. Leidy Fish Survey 1992-1998

SFEI Datasheet # LF015 *

SURVEY EVENT INFORMATION

Date: 3/24/93 **Time:** 1310 **SFEI Station ID:** STN0008

Location: Alameda Creek, approximately 0.3 km upstream from railroad tunnel at entrance to San Francisco Water District access road, within Niles Canyon

Watershed: Alameda Creek Watershed **County:** Alameda **USGS 7.5' Quad:** NILES

SPECIES LIST AND INDIVIDUAL LENGTHS

Species	Fork Length or Tail Length (mm)
<i>Lavinia exilicauda</i> (Hitch)	142
<i>Lavinia symmetricus</i> (California roach)	52, 56, 56, 58, 59, 62, 65, 70, 80, 82, 85, 96, 128, 161
<i>Catostomus occidentalis</i> (Sacramento sucker)	76, 85, 129, 145, 170, 171, 254, 260, 283, 285, 291, 340

FISH COMMUNITY STRUCTURE INDICES

Total Number of Species: 3 **% Native Fish Species:** 100%

SPECIES RATINGS (AS DEFINED BY R.A. LEIDY)

% Native Rating by Abundance (0-3): 3 **Salmonid Abundance (0-3):** 0

Total year-of-young in sample (0-3): 1 **Sculpin Abundance (0-3):** 0

* NOTE: This page presents selected data from one of R.A. Leidy's original field datasheets. Please see accompanying documentation for explanations of the data and their treatment. Species are listed in phylogenetic order.

Robert A. Leidy Fish Survey 1992-1998 SFEI Datasheet # LF016 *

SURVEY EVENT INFORMATION

Date: 3/24/93 **Time:** 1410 **SFEI Station ID:** STN0002

Location: Alameda Creek, 0.4 km upstream from railroad crossing off San Francisco Water District south bank access road; Niles Canyon

Watershed: Alameda Creek Watershed **County:** Alameda **USGS 7.5' Quad:** NILES

SPECIES LIST AND INDIVIDUAL LENGTHS

Species	Fork Length or Tail Length (mm)
<i>Lavinia exilicauda</i> (Hitch)	110, 115, 130
<i>Lavinia symmetricus</i> (California roach)	40, 40, 40, 42, 44, 45, 45, 50, 50, 50, 50, 60, 60, 60, 60
<i>Catostomus occidentalis</i> (Sacramento sucker)	100, 105, 165

FISH COMMUNITY STRUCTURE INDICES

Total Number of Species: 3 **% Native Fish Species:** 100%

SPECIES RATINGS (AS DEFINED BY R.A. LEIDY)

% Native Rating by Abundance (0-3): 3 **Salmonid Abundance (0-3):** 0

Total year-of-young in sample (0-3): 1 **Sculpin Abundance (0-3):** 0

* NOTE: This page presents selected data from one of R.A. Leidy's original field datasheets. Please see accompanying documentation for explanations of the data and their treatment. Species are listed in phylogenetic order.

Robert A. Leidy Fish Survey 1992-1998 SFEI Datasheet # LF017 *

SURVEY EVENT INFORMATION

Date: 3/24/93 **Time:** 1500 **SFEI Station ID:** STN0031

Location: Alameda Creek, immediately upstream from STN0008 (LeidyStn#1606FA), at diversion inflow, on San Francisco Water District property, Niles Canyon

Watershed: Alameda Creek Watershed **County:** Alameda **USGS 7.5' Quad:** NILES

SPECIES LIST AND INDIVIDUAL LENGTHS

Species	Fork Length or Tail Length (mm)
<i>Cyprinus carpio</i> (Carp)	630
<i>Ptychocheilus grandis</i> (Sacramento squawfish)	98
<i>Lavinia symmetricus</i> (California roach)	44, 45, 45, 52, 54, 55, 55, 55, 56, 57, 58, 60, 63, 66, 74, 80, 95, 114
<i>Catostomus occidentalis</i> (Sacramento sucker)	71, 136, 390

FISH COMMUNITY STRUCTURE INDICES

Total Number of Species: 4 **% Native Fish Species:** 75%

SPECIES RATINGS (AS DEFINED BY R.A. LEIDY)

% Native Rating by Abundance (0-3): 3 **Salmonid Abundance (0-3):** 0

Total year-of-young in sample (0-3): 2 **Sculpin Abundance (0-3):** 0

* NOTE: This page presents selected data from one of R.A. Leidy's original field datasheets. Please see accompanying documentation for explanations of the data and their treatment. Species are listed in phylogenetic order.

Robert A. Leidy Fish Survey 1992-1998

SFEI Datasheet # LF018 *

SURVEY EVENT INFORMATION

Date: 5/26/93

Time: 1100

SFEI Station ID: STN0009

Location: Alameda Creek, approximately 0.75 km downstream from Camp Ohlone, at bedrock falls area

Watershed: Alameda Creek Watershed

County: Alameda

USGS 7.5' Quad: CALAVERAS RESERVOIR

SPECIES LIST AND INDIVIDUAL LENGTHS

Species	Fork Length or Tail Length (mm)
<i>Oncorhynchus mykiss</i> (Rainbow trout)	35, 54, 55, 55, 57, 146, 154, 181, 183, 195
<i>Lavinia symmetricus</i> (California roach)	57, 59, 59, 60, 63, 64, 64, 65, 65, 65, 65, 66, 66, 69, 71, 71, 74, 75, 77, 81

FISH COMMUNITY STRUCTURE INDICES

Total Number of Species: 2 **% Native Fish Species:** 100%

SPECIES RATINGS (AS DEFINED BY R.A. LEIDY)

% Native Rating by Abundance (0-3): 3 **Salmonid Abundance (0-3):** 3

Total year-of-young in sample (0-3): 2 **Sculpin Abundance (0-3):** 0

* NOTE: This page presents selected data from one of R.A. Leidy's original field datasheets. Please see accompanying documentation for explanations of the data and their treatment. Species are listed in phylogenetic order.

Robert A. Leidy Fish Survey 1992-1998

SFEI Datasheet # LF019 *

SURVEY EVENT INFORMATION

Date: 5/26/93 **Time:** 1200 **SFEI Station ID:** STN0010

Location: Alameda Creek, approximately 0.75 km downstream from Camp Ohlone, at bedrock falls area, immediately upstream from STN0009 (LeidyStn#1655FA)

Watershed: Alameda Creek Watershed **County:** Alameda **USGS 7.5' Quad:** CALAVERAS RESERVOIR

SPECIES LIST AND INDIVIDUAL LENGTHS

Species	Fork Length or Tail Length (mm)
<i>Oncorhynchus mykiss</i> (Rainbow trout)	50, 50, 54, 55, 60, 125, 129, 140, 142, 143, 146, 152, 152, 153, 157, 160, 160, 160, 164, 183, 222, 233

FISH COMMUNITY STRUCTURE INDICES

Total Number of Species: 1 **% Native Fish Species:** 100%

SPECIES RATINGS (AS DEFINED BY R.A. LEIDY)

% Native Rating by Abundance (0-3): 3 **Salmonid Abundance (0-3):** 3

Total year-of-young in sample (0-3): 1 **Sculpin Abundance (0-3):** 0

* NOTE: This page presents selected data from one of R.A. Leidy's original field datasheets. Please see accompanying documentation for explanations of the data and their treatment. Species are listed in phylogenetic order.

Robert A. Leidy Fish Survey 1992-1998 SFEI Datasheet # LF021 *

SURVEY EVENT INFORMATION

Date: 5/28/93 **Time:** 1335 **SFEI Station ID:** STN0017
Location: Alameda Creek, approximately 50 m downstream from confluence with Arroyo de la Laguna Creek
Watershed: Alameda Creek Watershed **County:** Alameda **USGS 7.5' Quad:** NILES

SPECIES LIST AND INDIVIDUAL LENGTHS

Species	Fork Length or Tail Length (mm)
<i>Ptychocheilus grandis</i> (Sacramento squawfish)	110, 155
<i>Lavinia symmetricus</i> (California roach)	78, 100
<i>Catostomus occidentalis</i> (Sacramento sucker)	36, 53, 55, 55, 70, 115, 127, 135, 152, 205, 210, 240, 255

FISH COMMUNITY STRUCTURE INDICES

Total Number of Species: 3 **% Native Fish Species:** 100%

SPECIES RATINGS (AS DEFINED BY R.A. LEIDY)

% Native Rating by Abundance (0-3): 2 **Salmonid Abundance (0-3):** 0
Total year-of-young in sample (0-3): 1 **Sculpin Abundance (0-3):** 0

* NOTE: This page presents selected data from one of R.A. Leidy's original field datasheets. Please see accompanying documentation for explanations of the data and their treatment. Species are listed in phylogenetic order.

Robert A. Leidy Fish Survey 1992-1998

SFEI Datasheet # LF022 *

SURVEY EVENT INFORMATION

Date: 6/3/93 **Time:** 1111 **SFEI Station ID:** STN0023

Location: Alameda Creek, at treatment plant bridge approximately 0.6 km downstream of Calaveras Road crossing

Watershed: Alameda Creek Watershed **County:** Alameda **USGS 7.5' Quad:** LA COSTA VALLEY

SPECIES LIST AND INDIVIDUAL LENGTHS

Species	Fork Length or Tail Length (mm)
<i>Lavinia symmetricus</i> (California roach)	25, 28, 48, 52, 52, 54, 58, 58, 58, 62, 62, 63, 63, 63, 64, 66, 66, 66, 66, 68, 68, 68, 70, 71, 71, 71, 72, 75, 78, 80, 99
<i>Catostomus occidentalis</i> (Sacramento sucker)	23, 25, 36, 45, 46, 58, 58, 59, 60, 115, 174
<i>Gasterosteus aculeatus</i> (Threespine stickleback)	30, 30, 44, 48, 48, 50, 52, 52, 54, 54

FISH COMMUNITY STRUCTURE INDICES

Total Number of Species: 3 **% Native Fish Species:** 100%

SPECIES RATINGS (AS DEFINED BY R.A. LEIDY)

% Native Rating by Abundance (0-3): 3 **Salmonid Abundance (0-3):** 0

Total year-of-young in sample (0-3): 3 **Sculpin Abundance (0-3):** 0

* NOTE: This page presents selected data from one of R.A. Leidy's original field datasheets. Please see accompanying documentation for explanations of the data and their treatment. Species are listed in phylogenetic order.

Robert A. Leidy Fish Survey 1992-1998

SFEI Datasheet # LF023 *

SURVEY EVENT INFORMATION

Date: 8/2/93 **Time:** 0915 **SFEI Station ID:** STN0028
Location: Alameda Creek, downstream of Alvarado Road, opposite junction of Falcon Drive and Lowry Road
Watershed: Alameda Creek Watershed **County:** Alameda **USGS 7.5' Quad:** NEWARK

SPECIES LIST AND INDIVIDUAL LENGTHS

Species	Fork Length or Tail Length (mm)
<i>Lucania parva</i> (Rainwater killifish)	41
<i>Gasterosteus aculeatus</i> (Threespine stickleback)	18, 22, 24, 24, 25, 25, 26, 26, 26, 26, 26, 27, 28, 28, 29, 30, 30, 30, 30, 31, 31, 31, 31, 32, 32, 33, 33, 35, 36, 36, 36, 39, 40, 41, 44, 45, 46, 46, 50
<i>Cottus asper</i> (Prickly sculpin)	53, 56, 70, 80, 82, 89 (plus 20 observed in size range)
<i>Leptocottus armatus</i> (Staghorn sculpin)	68, 71, 80, 87, 87 (plus 25 observed in size range)

FISH COMMUNITY STRUCTURE INDICES

Total Number of Species: 4 **% Native Fish Species:** 75%

SPECIES RATINGS (AS DEFINED BY R.A. LEIDY)

% Native Rating by Abundance (0-3): 3 **Salmonid Abundance (0-3):** 0
Total year-of-young in sample (0-3): 2 **Sculpin Abundance (0-3):** 2

* NOTE: This page presents selected data from one of R.A. Leidy's original field datasheets. Please see accompanying documentation for explanations of the data and their treatment. Species are listed in phylogenetic order.

Robert A. Leidy Fish Survey 1992-1998
SFEI Datasheet # LF024 *

SURVEY EVENT INFORMATION

Date: 8/2/93 **Time:** 1200 **SFEI Station ID:** STN0032

Location: Alameda Creek, isolated pool 400 m downstream from Isherwood Way bridge (50 m downstream from intersection of Dominici Drive and Nuttman Drive)

Watershed: Alameda Creek Watershed **County:** Alameda **USGS 7.5' Quad:** NEWARK

SPECIES LIST AND INDIVIDUAL LENGTHS

Species	Fork Length or Tail Length (mm)
<i>Notemigonus crysoleucas</i> (Golden shiner)	48, 52, 58, 58, 58, 60, 60, 61, 61, 61, 62, 62, 62, 66, 68, 68, 70, 72, 82 (plus 200 more in size range)
<i>Lavinia exilicauda</i> (Hitch)	68, 92, 92, 95, 98, 110, 112, 112, 112, 118, 132, 140
<i>Orthodon microlepidotus</i> (Sacramento blackfish)	45, 55, 58, 58, 60, 62, 68, 75, 80, 97, 98, 98, 100, 100, 100, 112, 115, 121, 122, 122, 134, 137
<i>Ptychocheilus grandis</i> (Sacramento squawfish)	110
<i>Catostomus occidentalis</i> (Sacramento sucker)	60, 72, 280
<i>Menidia beryllina</i> (Inland silverside)	48, 48, 50, 52, 52, 60, 62, 62, 64
<i>Lepomis macrochirus</i> (Bluegill)	85, 90
<i>Lepomis cyanellus</i> (Green sunfish)	22, 28, 30, 32, 34, 34, 36, 38, 38, 40, 42, 42, 42, 44, 48, 50, 70, 72, 78, 88
<i>Micropterus dolomieu</i> (Smallmouth bass)	38, 42, 42, 45, 48, 48, 48, 48, 48, 48, 50, 50, 50, 52, 52, 52, 52, 52, 55, 58, 58, 60, 68
<i>Percina macrolepidida</i> (Bigscale logperch)	75
<i>Cottus asper</i> (Prickly sculpin)	32, 38, 60, 62

FISH COMMUNITY STRUCTURE INDICES

Total Number of Species: 11 **% Native Fish Species:** 45%

SPECIES RATINGS (AS DEFINED BY R.A. LEIDY)

% Native Rating by Abundance (0-3): 2 **Salmonid Abundance (0-3):** 0

Total year-of-young in sample (0-3): 3 **Sculpin Abundance (0-3):** 1

* NOTE: This page presents selected data from one of R.A. Leidy's original field datasheets. Please see accompanying documentation for explanations of the data and their treatment. Species are listed in phylogenetic order.

Robert A. Leidy Fish Survey 1992-1998 SFEI Datasheet # LF025 *

SURVEY EVENT INFORMATION

Date: 8/2/93 **Time:** 1530 **SFEI Station ID:** STN0004
Location: Alameda Creek, 0.8 km upstream from Old Canyon Road bridge crossing within Regional Park
Watershed: Alameda Creek Watershed **County:** Alameda **USGS 7.5' Quad:** NILES

SPECIES LIST AND INDIVIDUAL LENGTHS

Species	Fork Length or Tail Length (mm)
<i>Ptychocheilus grandis</i> (Sacramento squawfish)	51, 60, 60, 66, 70, 80, 82
<i>Lavinia symmetricus</i> (California roach)	32, 38, 42, 44, 48, 48, 48, 50, 52, 53, 58, 58, 65, 66, 70, 89, 93, 100 (plus 250 observed within size range)
<i>Catostomus occidentalis</i> (Sacramento sucker)	70, 78, 82, 300, 352
<i>Cottus asper</i> (Prickly sculpin)	25, 30, 32, 34, 35, 35, 35, 38, 40, 40, 40, 41, 42, 42, 48, 50, 52, 55, 60, 62, 82, 89, 92

FISH COMMUNITY STRUCTURE INDICES

Total Number of Species: 4 **% Native Fish Species:** 100%

SPECIES RATINGS (AS DEFINED BY R.A. LEIDY)

% Native Rating by Abundance (0-3): 3 **Salmonid Abundance (0-3):** 0
Total year-of-young in sample (0-3): 3 **Sculpin Abundance (0-3):** 3

* NOTE: This page presents selected data from one of R.A. Leidy's original field datasheets. Please see accompanying documentation for explanations of the data and their treatment. Species are listed in phylogenetic order.

Robert A. Leidy Fish Survey 1992-1998 SFEI Datasheet # LF026 *

SURVEY EVENT INFORMATION

Date: 8/10/93 **Time:** 1000 **SFEI Station ID:** STN0022

Location: Alameda Creek, at pool immediately downstream of Old Spring Valley Water Company diversion dam

Watershed: Alameda Creek Watershed **County:** Alameda **USGS 7.5' Quad:** NILES

SPECIES LIST AND INDIVIDUAL LENGTHS

Species	Fork Length or Tail Length (mm)
<i>Lavinia exilicauda</i> (Hitch)	52, 72
<i>Ptychocheilus grandis</i> (Sacramento squawfish)	48, 55, 58, 60, 65, 68, 70, 72, 73, 75, 77, 77, 80, 80, 82, 86, 88, 90, 92, 93, 98, 108, 188 (plus 159 additional within size range)
<i>Lavinia symmetricus</i> (California roach)	42, 44, 45, 45, 48, 52, 52, 52, 52, 52, 52, 54, 54, 55, 62, 62, 62, 64, 65, 72, 75, 90, 98, 98, 100 (plus 125 additional within size range)
<i>Catostomus occidentalis</i> (Sacramento sucker)	52, 58, 58, 60, 70, 82, 82, 155, 165, 192
<i>Menidia beryllina</i> (Inland silverside)	62
<i>Lepomis macrochirus</i> (Bluegill)	32, 118, 138, 138
<i>Micropterus salmoides</i> (Largemouth bass)	100

FISH COMMUNITY STRUCTURE INDICES

Total Number of Species: 7 **% Native Fish Species:** 57%

SPECIES RATINGS (AS DEFINED BY R.A. LEIDY)

% Native Rating by Abundance (0-3): 2 **Salmonid Abundance (0-3):** 0

Total year-of-young in sample (0-3): 3 **Sculpin Abundance (0-3):** 0

* NOTE: This page presents selected data from one of R.A. Leidy's original field datasheets. Please see accompanying documentation for explanations of the data and their treatment. Species are listed in phylogenetic order.

Robert A. Leidy Fish Survey 1992-1998

SFEI Datasheet # LF027 *

SURVEY EVENT INFORMATION

Date: 8/10/93 **Time:** 1130 **SFEI Station ID:** STN0035

Location: Alameda Creek, opposite Pacific Nursery at backwater road crossing, approximately 0.5 km upstream from Old Spring Valley Water Company diversion dam, Niles Canyon

Watershed: Alameda Creek Watershed **County:** Alameda **USGS 7.5' Quad:** NILES

SPECIES LIST AND INDIVIDUAL LENGTHS

Species	Fork Length or Tail Length (mm)
<i>Lavinia exilicauda</i> (Hitch)	55
<i>Lavinia exilicauda</i> X <i>symmetricus</i> (Hybrid Hitch-Roach)	82
<i>Ptychocheilus grandis</i> (Sacramento squawfish)	52, 52, 62, 66, 72, 78, 85
<i>Lavinia symmetricus</i> (California roach)	44, 50, 52, 62, 63, 65, 66, 88
<i>Catostomus occidentalis</i> (Sacramento sucker)	64, 67, 72, 75, 78, 80, 82, 83, 87, 88, 88, 92, 96, 98, 98, 162, 188, 190, 210, 215, 215, 222, 232, 266, 270, 388

FISH COMMUNITY STRUCTURE INDICES

Total Number of Species: 5 **% Native Fish Species:** 100%

SPECIES RATINGS (AS DEFINED BY R.A. LEIDY)

% Native Rating by Abundance (0-3): 3 **Salmonid Abundance (0-3):** 0

Total year-of-young in sample (0-3): 3 **Sculpin Abundance (0-3):** 0

* NOTE: This page presents selected data from one of R.A. Leidy's original field datasheets. Please see accompanying documentation for explanations of the data and their treatment. Species are listed in phylogenetic order.

Robert A. Leidy Fish Survey 1992-1998
SFEI Datasheet # LF028 *

SURVEY EVENT INFORMATION

Date: 8/10/93 **Time:** 1345 **SFEI Station ID:** STN0007
Location: Alameda Creek, 400 m downstream from Alameda Diversion Tunnel Dam to Calaveras Reservoir
Watershed: Alameda Creek Watershed **County:** Alameda **USGS 7.5' Quad:** CALAVERAS RESERVOIR

SPECIES LIST AND INDIVIDUAL LENGTHS

Species	Fork Length or Tail Length (mm)
<i>Oncorhynchus mykiss</i> (Rainbow trout)	79, 92, 98, 106, 245
<i>Lavinia symmetricus</i> (California roach)	72, 74, 74, 76, 76, 78, 78, 78, 80, 81, 82, 82, 84, 86, 87, 89

FISH COMMUNITY STRUCTURE INDICES

Total Number of Species: 2 **% Native Fish Species:** 100%

SPECIES RATINGS (AS DEFINED BY R.A. LEIDY)

% Native Rating by Abundance (0-3): 3 **Salmonid Abundance (0-3):** 2
Total year-of-young in sample (0-3): 1 **Sculpin Abundance (0-3):** 0

* NOTE: This page presents selected data from one of R.A. Leidy's original field datasheets. Please see accompanying documentation for explanations of the data and their treatment. Species are listed in phylogenetic order.

Robert A. Leidy Fish Survey 1992-1998 SFEI Datasheet # LF029 *

SURVEY EVENT INFORMATION

Date: 8/10/93 **Time:** 1430 **SFEI Station ID:** STN0015

Location: Alameda Creek, approximately 350 m downstream from Alameda Diversion Tunnel Dam to Calaveras Reservoir

Watershed: Alameda Creek Watershed **County:** Alameda **USGS 7.5' Quad:** CALAVERAS RESERVOIR

SPECIES LIST AND INDIVIDUAL LENGTHS

Species	Fork Length or Tail Length (mm)
<i>Oncorhynchus mykiss</i> (Rainbow trout)	75, 82, 82, 82, 83, 85, 88, 89, 90, 96, 101, 182, 209, 240
<i>Lavinia symmetricus</i> (California roach)	30, 32, 32, 38, 38, 51, 78, 82, 82, 98

FISH COMMUNITY STRUCTURE INDICES

Total Number of Species: 2 **% Native Fish Species:** 100%

SPECIES RATINGS (AS DEFINED BY R.A. LEIDY)

% Native Rating by Abundance (0-3): 3 **Salmonid Abundance (0-3):** 3

Total year-of-young in sample (0-3): 2 **Sculpin Abundance (0-3):** 0

* NOTE: This page presents selected data from one of R.A. Leidy's original field datasheets. Please see accompanying documentation for explanations of the data and their treatment. Species are listed in phylogenetic order.

Robert A. Leidy Fish Survey 1992-1998

SFEI Datasheet # LF031 *

SURVEY EVENT INFORMATION

Date: 10/18/93 **Time:** 0930 **SFEI Station ID:** STN0034
Location: Alameda Creek, Niles Canyon at Alameda Flood Control District Park, opposite Kaiser Quarry
Watershed: Alameda Creek Watershed **County:** Alameda **USGS 7.5' Quad:** NILES

SPECIES LIST AND INDIVIDUAL LENGTHS

Species	Fork Length or Tail Length (mm)
<i>Ptychocheilus grandis</i> (Sacramento squawfish)	71, 109
<i>Lavinia symmetricus</i> (California roach)	25, 45, 49, 53, 55
<i>Catostomus occidentalis</i> (Sacramento sucker)	105, 138, 212, 215, 225, 230, 230, 246, 252, 253, 257, 259, 262, 270, 271, 277, 278, 285, 300, 308 (plus 25 additional in size class)

FISH COMMUNITY STRUCTURE INDICES

Total Number of Species: 3 **% Native Fish Species:** 100%

SPECIES RATINGS (AS DEFINED BY R.A. LEIDY)

% Native Rating by Abundance (0-3): 3 **Salmonid Abundance (0-3):** 0
Total year-of-young in sample (0-3): 1 **Sculpin Abundance (0-3):** 0

* NOTE: This page presents selected data from one of R.A. Leidy's original field datasheets. Please see accompanying documentation for explanations of the data and their treatment. Species are listed in phylogenetic order.

Robert A. Leidy Fish Survey 1992-1998 SFEI Datasheet # LF032 *

SURVEY EVENT INFORMATION

Date: 10/19/93 **Time:** 1030 **SFEI Station ID:** STN0022

Location: Alameda Creek, at pool immediately downstream of Old Spring Valley Water Company diversion dam

Watershed: Alameda Creek Watershed **County:** Alameda **USGS 7.5' Quad:** NILES

SPECIES LIST AND INDIVIDUAL LENGTHS

Species	Fork Length or Tail Length (mm)
<i>Oncorhynchus mykiss</i> (Rainbow trout)	158
<i>Cyprinus carpio</i> (Carp)	635
<i>Lavinia exilicauda</i> (Hitch)	117, 193
<i>Ptychocheilus grandis</i> (Sacramento squawfish)	52, 72, 75, 76, 76, 82, 83, 84, 86, 89, 89, 89, 90, 92, 92, 95, 95, 96, 98, 101, 101, 101, 101, 105, 107, 109, 118, 125, 153, 225, 545
<i>Lavinia symmetricus</i> (California roach)	50, 68, 70, 110
<i>Catostomus occidentalis</i> (Sacramento sucker)	255
<i>Menidia beryllina</i> (Inland silverside)	77

FISH COMMUNITY STRUCTURE INDICES

Total Number of Species: 7 **% Native Fish Species:** 71%

SPECIES RATINGS (AS DEFINED BY R.A. LEIDY)

% Native Rating by Abundance (0-3): 3 **Salmonid Abundance (0-3):** 1

Total year-of-young in sample (0-3): 1 **Sculpin Abundance (0-3):** 0

* NOTE: This page presents selected data from one of R.A. Leidy's original field datasheets. Please see accompanying documentation for explanations of the data and their treatment. Species are listed in phylogenetic order.

Robert A. Leidy Fish Survey 1992-1998 SFEI Datasheet # LF033 *

SURVEY EVENT INFORMATION

Date: 11/18/93 **Time:** 1030 **SFEI Station ID:** STN0022
Location: Alameda Creek, at pool immediately downstream of Old Spring Valley Water Company diversion dam
Watershed: Alameda Creek Watershed **County:** Alameda **USGS 7.5' Quad:** NILES

SPECIES LIST AND INDIVIDUAL LENGTHS

Species	Fork Length or Tail Length (mm)
<i>Ptychocheilus grandis</i> (Sacramento squawfish)	54, 193
<i>Lavinia symmetricus</i> (California roach)	41, 42, 43, 43, 45, 45, 45, 46, 46, 46, 52, 55, 55, 57, 59, 61, 65, 72, 75

FISH COMMUNITY STRUCTURE INDICES

Total Number of Species: 2 **% Native Fish Species:** 100%

SPECIES RATINGS (AS DEFINED BY R.A. LEIDY)

% Native Rating by Abundance (0-3): 2 **Salmonid Abundance (0-3):** 0
Total year-of-young in sample (0-3): 1 **Sculpin Abundance (0-3):** 0

* NOTE: This page presents selected data from one of R.A. Leidy's original field datasheets. Please see accompanying documentation for explanations of the data and their treatment. Species are listed in phylogenetic order.

Robert A. Leidy Fish Survey 1992-1998

SFEI Datasheet # LF034 *

SURVEY EVENT INFORMATION

Date: 11/19/93 **Time:** 1030 **SFEI Station ID:** STN0020

Location: Alameda Creek, at Camp Ohlone Wilderness, immediately opposite the caretaker's residence

Watershed: Alameda Creek Watershed **County:** Alameda **USGS 7.5' Quad:** MT DAY

SPECIES LIST AND INDIVIDUAL LENGTHS

Species	Fork Length or Tail Length (mm)
<i>Oncorhynchus mykiss</i> (<i>Rainbow trout</i>)	128, 134
<i>Lavinia symmetricus</i> (<i>California roach</i>)	38, 40, 40, 42, 42, 42, 45, 45, 47, 48, 48, 48, 49, 50, 51, 52, 52, 52, 52, 54, 54, 54, 55, 55, 55, 55, 55, 56, 57, 59, 60, 60, 70 (plus 100 observed within size range)

FISH COMMUNITY STRUCTURE INDICES

Total Number of Species: 2 **% Native Fish Species:** 100%

SPECIES RATINGS (AS DEFINED BY R.A. LEIDY)

% Native Rating by Abundance (0-3): 2 **Salmonid Abundance (0-3):** 1

Total year-of-young in sample (0-3): 3 **Sculpin Abundance (0-3):** 0

* NOTE: This page presents selected data from one of R.A. Leidy's original field datasheets. Please see accompanying documentation for explanations of the data and their treatment. Species are listed in phylogenetic order.

Robert A. Leidy Fish Survey 1992-1998

SFEI Datasheet # LF035 *

SURVEY EVENT INFORMATION

Date: 4/27/94 **Time:** 0930 **SFEI Station ID:** STN0005

Location: Alameda Creek, 100 m downstream from Highway 680 crossing

Watershed: Alameda Creek Watershed **County:** Alameda **USGS 7.5' Quad:** NILES

SPECIES LIST AND INDIVIDUAL LENGTHS

Species	Fork Length or Tail Length (mm)
<i>Lavinia exilicauda</i> (Hitch)	27, 29, 29, 29, 30, 30, 32, 32, 32, 32, 32, 35, 35, 65, 72, 77, 77, 82, 84, 120
<i>Lepomis cyanellus</i> (Green sunfish)	85

FISH COMMUNITY STRUCTURE INDICES

Total Number of Species: 2 **% Native Fish Species:** 50%

SPECIES RATINGS (AS DEFINED BY R.A. LEIDY)

% Native Rating by Abundance (0-3): 1	Salmonid Abundance (0-3): 0
Total year-of-young in sample (0-3): 1	Sculpin Abundance (0-3): 0

* NOTE: This page presents selected data from one of R.A. Leidy's original field datasheets. Please see accompanying documentation for explanations of the data and their treatment. Species are listed in phylogenetic order.

Robert A. Leidy Fish Survey 1992-1998

SFEI Datasheet # LF037 *

SURVEY EVENT INFORMATION

Date: 4/27/94

Time: 1330

SFEI Station ID: STN0021

Location: Alameda Creek, at Old Spring Valley Water Company Diversion Dam, downstream pool at base of dam

Watershed: Alameda Creek Watershed

County: Alameda

USGS 7.5' Quad: NILES

SPECIES LIST AND INDIVIDUAL LENGTHS

Species	Fork Length or Tail Length (mm)
<i>Lavinia exilicauda</i> (Hitch)	100
<i>Ptychocheilus grandis</i> (Sacramento squawfish)	61, 65, 65, 70, 72, 72, 75, 85, 85, 88, 90, 90, 90, 91, 91, 93, 95, 95, 98, 100, 100, 102, 102, 105, 109, 110, 110, 110, 112, 113, 120, 120, 160, 178, 200
<i>Lavinia symmetricus</i> (California roach)	50, 52, 52, 55, 55, 55, 55, 58, 58, 60, 60, 60, 60, 60, 60, 60, 60, 62, 62, 62, 62, 65, 65, 65, 65, 65, 65, 65, 68, 68, 70, 70, 71, 75, 75, 85, 85, 100, 102
<i>Catostomus occidentalis</i> (Sacramento sucker)	101

FISH COMMUNITY STRUCTURE INDICES

Total Number of Species: 4 **% Native Fish Species:** 100%

SPECIES RATINGS (AS DEFINED BY R.A. LEIDY)

% Native Rating by Abundance (0-3): 3 **Salmonid Abundance (0-3):** 0

Total year-of-young in sample (0-3): 1 **Sculpin Abundance (0-3):** 0

* NOTE: This page presents selected data from one of R.A. Leidy's original field datasheets. Please see accompanying documentation for explanations of the data and their treatment. Species are listed in phylogenetic order.

Robert A. Leidy Fish Survey 1992-1998 SFEI Datasheet # LF038 *

SURVEY EVENT INFORMATION

Date: 8/30/96 **Time:** 1100 **SFEI Station ID:** STN0019
Location: Alameda Creek, at base of Spring Valley Water Company Diversion Dam
Watershed: Alameda Creek Watershed **County:** Alameda **USGS 7.5' Quad:** NILES

SPECIES LIST AND INDIVIDUAL LENGTHS

Species	Fork Length or Tail Length (mm)
<i>Lavinia exilicauda</i> (Hitch)	72, 115, 115, 153, 155, 160, 165
<i>Ptychocheilus grandis</i> (Sacramento squawfish)	42, 42, 48, 48, 48, 49, 50, 52, 52, 52, 56, 58, 58, 60, 61, 62, 64, 67, 70, 72, 74, 74, 75, 75, 76, 76, 76, 78, 79, 80, 80, 80, 81, 82, 83, 85, 89, 90, 92, 92, 92, 94, 96, 96, 100, 101, 102, 105, 105, 112, 156, 157, 165
<i>Lavinia symmetricus</i> (California roach)	48, 50, 56, 56, 56, 58, 60, 60, 61, 62, 65, 70, 70, 71, 72, 75, 82, 85, 100 (plus 25 observed within size range)
<i>Menidia beryllina</i> (Inland silverside)	80, 85

FISH COMMUNITY STRUCTURE INDICES

Total Number of Species: 4 **% Native Fish Species:** 75%

SPECIES RATINGS (AS DEFINED BY R.A. LEIDY)

% Native Rating by Abundance (0-3): 3 **Salmonid Abundance (0-3):** 0

Total year-of-young in sample (0-3): 3 **Sculpin Abundance (0-3):** 0

* NOTE: This page presents selected data from one of R.A. Leidy's original field datasheets. Please see accompanying documentation for explanations of the data and their treatment. Species are listed in phylogenetic order.

Robert A. Leidy Fish Survey 1992-1998 SFEI Datasheet # LF039 *

SURVEY EVENT INFORMATION

Date: 8/30/96 **Time:** 1330 **SFEI Station ID:** STN0030

Location: Alameda Creek, immediately downstream of Spring Valley Water Company Diversion Dam (run-pool-riffle area)

Watershed: Alameda Creek Watershed **County:** Alameda **USGS 7.5' Quad:** NILES

SPECIES LIST AND INDIVIDUAL LENGTHS

Species	Fork Length or Tail Length (mm)
<i>Ptychocheilus grandis</i> (Sacramento squawfish)	46, 72, 80, 85
<i>Lavinia symmetricus</i> (California roach)	51, 68, 83
<i>Catostomus occidentalis</i> (Sacramento sucker)	168, 175, 178, 180, 193, 195, 215

FISH COMMUNITY STRUCTURE INDICES

Total Number of Species: 3 **% Native Fish Species:** 100%

SPECIES RATINGS (AS DEFINED BY R.A. LEIDY)

% Native Rating by Abundance (0-3): 2 **Salmonid Abundance (0-3):** 0

Total year-of-young in sample (0-3): 1 **Sculpin Abundance (0-3):** 0

* NOTE: This page presents selected data from one of R.A. Leidy's original field datasheets. Please see accompanying documentation for explanations of the data and their treatment. Species are listed in phylogenetic order.

Robert A. Leidy Fish Survey 1992-1998

SFEI Datasheet # LF040 *

SURVEY EVENT INFORMATION

Date: 3/22/93

Time: 1138

SFEI Station ID: STN0041

Location: Arroyo de la Laguna Creek, 100 m upstream from confluence with Alameda Creek

Watershed: Alameda Creek Watershed

County: Alameda

USGS 7.5' Quad: NILES

SPECIES LIST AND INDIVIDUAL LENGTHS

Species	Fork Length or Tail Length (mm)
<i>Ptychocheilus grandis</i> (Sacramento squawfish)	50, 50, 60, 60
<i>Lavinia symmetricus</i> (California roach)	30, 35, 40, 40, 40, 40, 45, 45, 50, 50, 55, 60
<i>Catostomus occidentalis</i> (Sacramento sucker)	65, 80, 100, 105, 145

FISH COMMUNITY STRUCTURE INDICES

Total Number of Species: 3 **% Native Fish Species:** 100%

SPECIES RATINGS (AS DEFINED BY R.A. LEIDY)

% Native Rating by Abundance (0-3): 3 **Salmonid Abundance (0-3):** 0

Total year-of-young in sample (0-3): 3 **Sculpin Abundance (0-3):** 0

* NOTE: This page presents selected data from one of R.A. Leidy's original field datasheets. Please see accompanying documentation for explanations of the data and their treatment. Species are listed in phylogenetic order.

Robert A. Leidy Fish Survey 1992-1998 SFEI Datasheet # LF041 *

SURVEY EVENT INFORMATION

Date: 5/28/93 **Time:** 1100 **SFEI Station ID:** STN0041

Location: Arroyo de la Laguna Creek, 100 m upstream from confluence with Alameda Creek

Watershed: Alameda Creek Watershed **County:** Alameda **USGS 7.5' Quad:** NILES

SPECIES LIST AND INDIVIDUAL LENGTHS

Species	Fork Length or Tail Length (mm)
<i>Lavinia exilicauda</i> (Hitch)	190 (plus 3 at between 120-150 lost from net)
<i>Ptychocheilus grandis</i> (Sacramento squawfish)	324, 385
<i>Lavinia symmetricus</i> (California roach)	70 (plus approx. 100 observed)
<i>Catostomus occidentalis</i> (Sacramento sucker)	97, 140, 152, 165, 169, 170, 195, 195, 216, 227, 275, 283, 302, 304, 325, 354, 375, 395 (plus approx. 250 observed approx. 25-40 mm)
<i>Gasterosteus aculeatus</i> (Threespine stickleback)	22, 22
<i>Lepomis cyanellus</i> (Green sunfish)	55

FISH COMMUNITY STRUCTURE INDICES

Total Number of Species: 6 **% Native Fish Species:** 83%

SPECIES RATINGS (AS DEFINED BY R.A. LEIDY)

% Native Rating by Abundance (0-3): 3 **Salmonid Abundance (0-3):** 0

Total year-of-young in sample (0-3): 3 **Sculpin Abundance (0-3):** 0

* NOTE: This page presents selected data from one of R.A. Leidy's original field datasheets. Please see accompanying documentation for explanations of the data and their treatment. Species are listed in phylogenetic order.

Robert A. Leidy Fish Survey 1992-1998

SFEI Datasheet # LF042 *

SURVEY EVENT INFORMATION

Date: 5/28/93 **Time:** 1215 **SFEI Station ID:** STN0043

Location: Arroyo de la Laguna Creek, approximately 250 m upstream from confluence with Alameda Creek

Watershed: Alameda Creek Watershed **County:** Alameda **USGS 7.5' Quad:** NILES

SPECIES LIST AND INDIVIDUAL LENGTHS

Species	Fork Length or Tail Length (mm)
<i>Ptychocheilus grandis</i> (Sacramento squawfish)	127, 190, 253
<i>Lavinia symmetricus</i> (California roach)	60, 75 (plus approx. 50-100 observed)
<i>Catostomus occidentalis</i> (Sacramento sucker)	35, 40, 50, 60, 129, 130, 135, 145, 150, 150, 165, 175, 186, 200, 210, 265, 270, 295, 305, 332, 350, 365, 375 (plus 200 or more between approx. 25-40 mm)
<i>Lepomis cyanellus</i> (Green sunfish)	105

FISH COMMUNITY STRUCTURE INDICES

Total Number of Species: 4 **% Native Fish Species:** 75%

SPECIES RATINGS (AS DEFINED BY R.A. LEIDY)

% Native Rating by Abundance (0-3): 3 **Salmonid Abundance (0-3):** 0

Total year-of-young in sample (0-3): 3 **Sculpin Abundance (0-3):** 0

* NOTE: This page presents selected data from one of R.A. Leidy's original field datasheets. Please see accompanying documentation for explanations of the data and their treatment. Species are listed in phylogenetic order.

Robert A. Leidy Fish Survey 1992-1998
SFEI Datasheet # LF043 *

SURVEY EVENT INFORMATION

Date: 6/2/93 **Time:** 0930 **SFEI Station ID:** STN0042
Location: Arroyo de la Laguna Creek, approximately 0.8 km upstream from the Highway 84 bridge crossing
Watershed: Alameda Creek Watershed **County:** Alameda **USGS 7.5' Quad:** NILES

SPECIES LIST AND INDIVIDUAL LENGTHS

Species	Fork Length or Tail Length (mm)
<i>Ptychocheilus grandis</i> (Sacramento squawfish)	111, 119, 134, 209, 290, 305, 320, 340, 384
<i>Lavinia symmetricus</i> (California roach)	24, 60, 64, 66, 66, 75, 85, 87, 100, 145 (plus 200 or more at 24-40 mm)
<i>Catostomus occidentalis</i> (Sacramento sucker)	44, 45, 59, 60, 126, 150, 155, 162, 170, 183, 184, 189, 195, 203, 207, 215, 215, 225, 230, 247, 253, 260, 261, 269, 285 (plus 200 or more at 10-25 mm)
<i>Gasterosteus aculeatus</i> (Threespine stickleback)	40, 55

FISH COMMUNITY STRUCTURE INDICES

Total Number of Species: 4 **% Native Fish Species:** 100%
SPECIES RATINGS (AS DEFINED BY R.A. LEIDY)
% Native Rating by Abundance (0-3): 3 **Salmonid Abundance (0-3):** 0
Total year-of-young in sample (0-3): 2 **Sculpin Abundance (0-3):** 0

* NOTE: This page presents selected data from one of R.A. Leidy's original field datasheets. Please see accompanying documentation for explanations of the data and their treatment. Species are listed in phylogenetic order.

Robert A. Leidy Fish Survey 1992-1998 SFEI Datasheet # LF044 *

SURVEY EVENT INFORMATION

Date: 6/2/93 **Time:** 1200 **SFEI Station ID:** STN0048
Location: Arroyo de la Laguna Creek, immediately downstream of abandoned railroad bridge crossing
Watershed: Alameda Creek Watershed **County:** Alameda **USGS 7.5' Quad:** LA COSTA VALLEY

SPECIES LIST AND INDIVIDUAL LENGTHS

Species	Fork Length or Tail Length (mm)
<i>Cyprinus carpio</i> (Carp)	330
<i>Lavinia exilicauda</i> (Hitch)	72, 88
<i>Ptychocheilus grandis</i> (Sacramento squawfish)	72, 96, 121, 194
<i>Lavinia symmetricus</i> (California roach)	52, 55, 58, 58, 62, 62, 64, 65, 67, 68, 70, 74, 74, 76, 78, 78, 82, 82, 84, 90, 94, 104, 140
<i>Catostomus occidentalis</i> (Sacramento sucker)	42, 44, 44, 44, 48, 58, 142, 144, 162, 172, 178, 192, 212, 270, 300, 341

FISH COMMUNITY STRUCTURE INDICES

Total Number of Species: 5 **% Native Fish Species:** 80%

SPECIES RATINGS (AS DEFINED BY R.A. LEIDY)

% Native Rating by Abundance (0-3): 3 **Salmonid Abundance (0-3):** 0

Total year-of-young in sample (0-3): 2 **Sculpin Abundance (0-3):** 0

* NOTE: This page presents selected data from one of R.A. Leidy's original field datasheets. Please see accompanying documentation for explanations of the data and their treatment. Species are listed in phylogenetic order.

Robert A. Leidy Fish Survey 1992-1998 SFEI Datasheet # LF045 *

SURVEY EVENT INFORMATION

Date: 6/3/93 **Time:** 1350 **SFEI Station ID:** STN0049
Location: Arroyo de la Laguna Creek, pool downstream of footbridge crossing off of Pleasanton-Sunol Road
Watershed: Alameda Creek Watershed **County:** Alameda **USGS 7.5' Quad:** DUBLIN

SPECIES LIST AND INDIVIDUAL LENGTHS

Species	Fork Length or Tail Length (mm)
<i>Lavinia exilicauda</i> (Hitch)	130
<i>Ptychocheilus grandis</i> (Sacramento squawfish)	110, 257
<i>Lavinia symmetricus</i> (California roach)	46, 50, 54, 55, 55, 55, 55, 60, 60, 62, 65, 66, 70, 70, 85, 85
<i>Catostomus occidentalis</i> (Sacramento sucker)	42, 45, 270, 290
<i>Lepomis cyanellus</i> (Green sunfish)	50

FISH COMMUNITY STRUCTURE INDICES

Total Number of Species: 5 **% Native Fish Species:** 80%

SPECIES RATINGS (AS DEFINED BY R.A. LEIDY)

% Native Rating by Abundance (0-3): 3 **Salmonid Abundance (0-3):** 0
Total year-of-young in sample (0-3): 1 **Sculpin Abundance (0-3):** 0

* NOTE: This page presents selected data from one of R.A. Leidy's original field datasheets. Please see accompanying documentation for explanations of the data and their treatment. Species are listed in phylogenetic order.

**Robert A. Leidy Fish Survey 1992-1998
SFEI Datasheet # LF046 ***

SURVEY EVENT INFORMATION

Date: 6/3/93 **Time:** 1500 **SFEI Station ID:** STN0050
Location: Arroyo de la Laguna Creek, pool immediately upstream of footbridge crossing off of Pleasanton-Sunol Road
Watershed: Alameda Creek Watershed **County:** Alameda **USGS 7.5' Quad:** DUBLIN

SPECIES LIST AND INDIVIDUAL LENGTHS

Species	Fork Length or Tail Length (mm)
<i>Lavinia symmetricus</i> (California roach)	50, 80, 84, 103
<i>Catostomus occidentalis</i> (Sacramento sucker)	150, 300, 350
<i>Lepomis cyanellus</i> (Green sunfish)	66, 79, 173 (plus 2 others observed at 100-150 mm)

FISH COMMUNITY STRUCTURE INDICES

Total Number of Species: 3 **% Native Fish Species:** 67%

SPECIES RATINGS (AS DEFINED BY R.A. LEIDY)

% Native Rating by Abundance (0-3): 1 **Salmonid Abundance (0-3):** 0
Total year-of-young in sample (0-3): 0 **Sculpin Abundance (0-3):** 0

* NOTE: This page presents selected data from one of R.A. Leidy's original field datasheets. Please see accompanying documentation for explanations of the data and their treatment. Species are listed in phylogenetic order.

Robert A. Leidy Fish Survey 1992-1998 SFEI Datasheet # LF047 *

SURVEY EVENT INFORMATION

Date: 10/19/93 **Time:** 1330 **SFEI Station ID:** STN0047
Location: Arroyo de la Laguna Creek, from confluence with Alameda Creek, upstream 75 m
Watershed: Alameda Creek Watershed **County:** Alameda **USGS 7.5' Quad:** NILES

SPECIES LIST AND INDIVIDUAL LENGTHS

Species	Fork Length or Tail Length (mm)
<i>Lavinia exilicauda</i> (Hitch)	115, 151, 176
<i>Ptychocheilus grandis</i> (Sacramento squawfish)	275, 313, 410
<i>Lavinia symmetricus</i> (California roach)	35, 51, 53, 55, 56, 63, 68, 72, 78, 101
<i>Catostomus occidentalis</i> (Sacramento sucker)	105, 225, 232, 280, 290, 305, 310, 321, 330, 332
<i>Menidia beryllina</i> (Inland silverside)	73
<i>Micropterus salmoides</i> (Largemouth bass)	94

FISH COMMUNITY STRUCTURE INDICES

Total Number of Species: 6 **% Native Fish Species:** 67%

SPECIES RATINGS (AS DEFINED BY R.A. LEIDY)

% Native Rating by Abundance (0-3): 3 **Salmonid Abundance (0-3):** 0

Total year-of-young in sample (0-3): 1 **Sculpin Abundance (0-3):** 0

* NOTE: This page presents selected data from one of R.A. Leidy's original field datasheets. Please see accompanying documentation for explanations of the data and their treatment. Species are listed in phylogenetic order.

Robert A. Leidy Fish Survey 1992-1998
SFEI Datasheet # LF048 *

SURVEY EVENT INFORMATION

Date: 12/30/93

Time: 1030

SFEI Station ID: STN0040

Location: Arroyo de la Laguna Creek, 0.5 km downstream from Bernal Road bridge

Watershed: Alameda Creek Watershed

County: Alameda

USGS 7.5' Quad: DUBLIN

SPECIES LIST AND INDIVIDUAL LENGTHS

Species	Fork Length or Tail Length (mm)
<i>Micropterus salmoides</i> (Largemouth bass)	75

FISH COMMUNITY STRUCTURE INDICES

Total Number of Species: 1

% Native Fish Species: 0%

SPECIES RATINGS (AS DEFINED BY R.A. LEIDY)

% Native Rating by Abundance (0-3): 0

Salmonid Abundance (0-3): 0

Total year-of-young in sample (0-3): 1

Sculpin Abundance (0-3): 0

* NOTE: This page presents selected data from one of R.A. Leidy's original field datasheets. Please see accompanying documentation for explanations of the data and their treatment. Species are listed in phylogenetic order.

Robert A. Leidy Fish Survey 1992-1998 SFEI Datasheet # LF049 *

SURVEY EVENT INFORMATION

Date: 12/30/93 **Time:** 1100 **SFEI Station ID:** STN0046
Location: Arroyo de la Laguna Creek, from Castlewood Road bridge, upstream 50 m
Watershed: Alameda Creek Watershed **County:** Alameda **USGS 7.5' Quad:** DUBLIN

SPECIES LIST AND INDIVIDUAL LENGTHS

Species	Fork Length or Tail Length (mm)
<i>Cyprinus carpio</i> (Carp)	350, 510
<i>Lavinia exilicauda</i> (Hitch)	150, 155
<i>Ptychocheilus grandis</i> (Sacramento squawfish)	19, 66, 72, 85, 95, 115
<i>Lavinia symmetricus</i> (California roach)	50, 55, 58, 59, 60, 60, 61, 61, 62, 63, 65, 69, 70, 71, 72, 72, 76, 80, 81, 90, 102, 105, 105
<i>Catostomus occidentalis</i> (Sacramento sucker)	125, 125, 150, 175, 288
<i>Ameiurus melas</i> (Black bullhead)	180
<i>Lepomis cyanellus</i> (Green sunfish)	102, 103, 128, 146, 148, 152

FISH COMMUNITY STRUCTURE INDICES

Total Number of Species: 7 **% Native Fish Species:** 57%

SPECIES RATINGS (AS DEFINED BY R.A. LEIDY)

% Native Rating by Abundance (0-3): 2 **Salmonid Abundance (0-3):** 0

Total year-of-young in sample (0-3): 2 **Sculpin Abundance (0-3):** 0

* NOTE: This page presents selected data from one of R.A. Leidy's original field datasheets. Please see accompanying documentation for explanations of the data and their treatment. Species are listed in phylogenetic order.

Robert A. Leidy Fish Survey 1992-1998

SFEI Datasheet # LF050 *

SURVEY EVENT INFORMATION

Date: 5/4/94 **Time:** 0930 **SFEI Station ID:** STN0045
Location: Arroyo de la Laguna Creek, from Bernal Road bridge, upstream 100 m
Watershed: Alameda Creek Watershed **County:** Alameda **USGS 7.5' Quad:** DUBLIN

SPECIES LIST AND INDIVIDUAL LENGTHS

Species	Fork Length or Tail Length (mm)
<i>Cyprinus carpio</i> (Carp)	390
<i>Ptychocheilus grandis</i> (Sacramento squawfish)	110
<i>Lavinia symmetricus</i> (California roach)	65, 85, 85, 90, 110, 110, 110, 120
<i>Catostomus occidentalis</i> (Sacramento sucker)	180, 190, 200, 205, 270, 320, 380

FISH COMMUNITY STRUCTURE INDICES

Total Number of Species: 4 **% Native Fish Species:** 75%

SPECIES RATINGS (AS DEFINED BY R.A. LEIDY)

% Native Rating by Abundance (0-3): 1 **Salmonid Abundance (0-3):** 0

Total year-of-young in sample (0-3): 0 **Sculpin Abundance (0-3):** 0

* NOTE: This page presents selected data from one of R.A. Leidy's original field datasheets. Please see accompanying documentation for explanations of the data and their treatment. Species are listed in phylogenetic order.

Robert A. Leidy Fish Survey 1992-1998 SFEI Datasheet # LF051 *

SURVEY EVENT INFORMATION

Date: 7/18/96 **Time:** 1000 **SFEI Station ID:** STN0044
Location: Arroyo de la Laguna Creek, at Castlewood Road bridge
Watershed: Alameda Creek Watershed **County:** Alameda **USGS 7.5' Quad:** DUBLIN

SPECIES LIST AND INDIVIDUAL LENGTHS

Species	Fork Length or Tail Length (mm)
<i>Ptychocheilus grandis</i> (Sacramento squawfish)	82, 90
<i>Catostomus occidentalis</i> (Sacramento sucker)	35, 68, 110, 157, 157
<i>Lepomis cyanellus</i> (Green sunfish)	100, 116
<i>Cottus asper</i> (Prickly sculpin)	75, 99, 100

FISH COMMUNITY STRUCTURE INDICES

Total Number of Species: 4 **% Native Fish Species:** 75%

SPECIES RATINGS (AS DEFINED BY R.A. LEIDY)

% Native Rating by Abundance (0-3): 2	Salmonid Abundance (0-3): 0
Total year-of-young in sample (0-3): 1	Sculpin Abundance (0-3): 1

* NOTE: This page presents selected data from one of R.A. Leidy's original field datasheets. Please see accompanying documentation for explanations of the data and their treatment. Species are listed in phylogenetic order.

Robert A. Leidy Fish Survey 1992-1998

SFEI Datasheet # LF052 *

SURVEY EVENT INFORMATION

Date: 12/30/93 **Time:** 1215 **SFEI Station ID:** STN0056
Location: Arroyo Mocho Creek, from Wente Road crossing, downstream 25 m
Watershed: Alameda Creek Watershed **County:** Alameda **USGS 7.5' Quad:** ALTAMONT

SPECIES LIST AND INDIVIDUAL LENGTHS

Species	Fork Length or Tail Length (mm)
<i>Lavinia symmetricus</i> (California roach)	60, 65, 65, 68, 71, 72, 72, 73, 73, 74, 75, 75, 75, 75, 76, 78, 80, 80, 80, 81, 85, 85, 89, 90, 90, 91, 91, 95, 103, 115, 125 (plus 200 observed within size range)
<i>Catostomus occidentalis</i> (Sacramento sucker)	165, 165, 168, 179, 189, 190, 190, 202 (plus 20 observed within size range)

FISH COMMUNITY STRUCTURE INDICES

Total Number of Species: 2 **% Native Fish Species:** 100%

SPECIES RATINGS (AS DEFINED BY R.A. LEIDY)

% Native Rating by Abundance (0-3): 3 **Salmonid Abundance (0-3):** 0
Total year-of-young in sample (0-3): 3 **Sculpin Abundance (0-3):** 0

* NOTE: This page presents selected data from one of R.A. Leidy's original field datasheets. Please see accompanying documentation for explanations of the data and their treatment. Species are listed in phylogenetic order.

Robert A. Leidy Fish Survey 1992-1998 SFEI Datasheet # LF053 *

SURVEY EVENT INFORMATION

Date: 8/11/93 **Time:** none **SFEI Station ID:** STN0060

Location: Arroyo Valle Creek, opposite Veterans Administration Hospital, below Del Valle Reservoir

Watershed: Alameda Creek Watershed **County:** Alameda **USGS 7.5' Quad:** LA COSTA VALLEY

SPECIES LIST AND INDIVIDUAL LENGTHS

Species	Fork Length or Tail Length (mm)
<i>Lavinia exilicauda</i> (Hitch)	48, 49, 49, 50, 50, 50, 51, 51, 55, 58, 59, 59, 60, 60, 62, 63, 65, 65, 69, 91, 97, 102, 103, 105, 110, 115, 117
<i>Ptychocheilus grandis</i> (Sacramento squawfish)	78, 104
<i>Lavinia symmetricus</i> (California roach)	42, 45, 50, 50, 50, 55, 55, 56
<i>Catostomus occidentalis</i> (Sacramento sucker)	66, 72, 75
<i>Gambusia affinis</i> (Western mosquitofish)	10, 20, 20, 20, 21, 33
<i>Cottus asper</i> (Prickly sculpin)	49, 51, 64, 74, 75, 82

FISH COMMUNITY STRUCTURE INDICES

Total Number of Species: 6 **% Native Fish Species:** 83%

SPECIES RATINGS (AS DEFINED BY R.A. LEIDY)

% Native Rating by Abundance (0-3): 3 **Salmonid Abundance (0-3):** 0

Total year-of-young in sample (0-3): 2 **Sculpin Abundance (0-3):** 2

* NOTE: This page presents selected data from one of R.A. Leidy's original field datasheets. Please see accompanying documentation for explanations of the data and their treatment. Species are listed in phylogenetic order.

Robert A. Leidy Fish Survey 1992-1998

SFEI Datasheet # LF054 *

SURVEY EVENT INFORMATION

Date: 5/4/94 **Time:** 1300 **SFEI Station ID:** STN0058

Location: Arroyo Valle Creek, Bernal Corporate Park at Valley Avenue, Koll Center opposite Day Care

Watershed: Alameda Creek Watershed **County:** Alameda **USGS 7.5' Quad:** DUBLIN

SPECIES LIST AND INDIVIDUAL LENGTHS

Species	Fork Length or Tail Length (mm)
<i>Cyprinus carpio</i> (Carp)	225
<i>Lavinia exilicauda</i> (Hitch)	100
<i>Ptychocheilus grandis</i> (Sacramento squawfish)	115
<i>Lavinia symmetricus</i> (California roach)	95
<i>Gambusia affinis</i> (Western mosquitofish)	No measurements taken (25 at 25-35 mm)
<i>Lepomis macrochirus</i> (Bluegill)	65, 70, 80
<i>Lepomis cyanellus</i> (Green sunfish)	120, 120, 125, 130, 135 (plus 15 observed)
<i>Micropterus salmoides</i> (Largemouth bass)	No measurements taken (10 observed at 120-150 mm)
<i>Cottus asper</i> (Prickly sculpin)	32, 42, 120

FISH COMMUNITY STRUCTURE INDICES

Total Number of Species: 9 **% Native Fish Species:** 44%

SPECIES RATINGS (AS DEFINED BY R.A. LEIDY)

% Native Rating by Abundance (0-3): 1 **Salmonid Abundance (0-3):** 0

Total year-of-young in sample (0-3): 0 **Sculpin Abundance (0-3):** 1

* NOTE: This page presents selected data from one of R.A. Leidy's original field datasheets. Please see accompanying documentation for explanations of the data and their treatment. Species are listed in phylogenetic order.

Robert A. Leidy Fish Survey 1992-1998

SFEI Datasheet # LF055 *

SURVEY EVENT INFORMATION

Date: 7/18/96 **Time:** 1200 **SFEI Station ID:** STN0059

Location: Arroyo Valle Creek, opposite North Creek business park, approximately 0.8 km upstream from the confluence with Arroyo de la Laguna Creek

Watershed: Alameda Creek Watershed **County:** Alameda **USGS 7.5' Quad:** DUBLIN

SPECIES LIST AND INDIVIDUAL LENGTHS

Species	Fork Length or Tail Length (mm)
<i>Lavinia exilicauda</i> (Hitch)	63, 139
<i>Ptychocheilus grandis</i> (Sacramento squawfish)	42, 60, 78
<i>Lavinia symmetricus</i> (California roach)	44, 44, 48, 55, 65, 71, 90 (plus 50 observed at 25-40 mm)
<i>Catostomus occidentalis</i> (Sacramento sucker)	84, 165, 195
<i>Lepomis cyanellus</i> (Green sunfish)	81
<i>Cottus asper</i> (Prickly sculpin)	75

FISH COMMUNITY STRUCTURE INDICES

Total Number of Species: 6 **% Native Fish Species:** 83%

SPECIES RATINGS (AS DEFINED BY R.A. LEIDY)

% Native Rating by Abundance (0-3): 3 **Salmonid Abundance (0-3):** 0

Total year-of-young in sample (0-3): 2 **Sculpin Abundance (0-3):** 1

* NOTE: This page presents selected data from one of R.A. Leidy's original field datasheets. Please see accompanying documentation for explanations of the data and their treatment. Species are listed in phylogenetic order.

Robert A. Leidy Fish Survey 1992-1998
SFEI Datasheet # LF056 *

SURVEY EVENT INFORMATION

Date: 10/1/93

Time: 1300

SFEI Station ID: STN0129

Location: La Costa Creek, 0.4 km upstream from confluence with San Antonio Creek

Watershed: Alameda Creek Watershed

County: Alameda

USGS 7.5' Quad: LA COSTA VALLEY

SPECIES LIST AND INDIVIDUAL LENGTHS

Species	Fork Length or Tail Length (mm)
<i>Oncorhynchus mykiss</i> (<i>Rainbow trout</i>)	46, 52, 55, 56, 58, 62, 62, 67, 68, 72, 82, 86, 100, 100, 115
<i>Cottus asper</i> (<i>Prickly sculpin</i>)	40, 41, 42, 42, 42, 42, 42, 42, 43, 43, 44, 45, 45, 46, 46, 46, 47, 47, 48, 48, 48, 48, 48, 48, 48, 49, 50, 50, 50, 50, 50, 50, 51, 51, 51, 51, 52, 52, 52, 52, 52, 52, 52, 52, 53, 55

FISH COMMUNITY STRUCTURE INDICES

Total Number of Species: 2

% Native Fish Species: 100%

SPECIES RATINGS (AS DEFINED BY R.A. LEIDY)

% Native Rating by Abundance (0-3): 3

Salmonid Abundance (0-3): 3

Total year-of-young in sample (0-3): 3

Sculpin Abundance (0-3): 3

* NOTE: This page presents selected data from one of R.A. Leidy's original field datasheets. Please see accompanying documentation for explanations of the data and their treatment. Species are listed in phylogenetic order.

Robert A. Leidy Fish Survey 1992-1998

SFEI Datasheet # LF057 *

SURVEY EVENT INFORMATION

Date: 10/14/93	Time: 0850	SFEI Station ID: STN0131
Location: La Costa Creek, 400 m upstream from confluence with San Antonio Creek (50 m upstream from STN0129 (LeidyStn#1634F))		
Watershed: Alameda Creek Watershed	County: Alameda	USGS 7.5' Quad: LA COSTA VALLEY

SPECIES LIST AND INDIVIDUAL LENGTHS

Species	Fork Length or Tail Length (mm)
<i>Oncorhynchus mykiss</i> (Rainbow trout)	70, 88, 134, 139, 151, 153, 165
<i>Lepomis macrochirus</i> (Bluegill)	96
<i>Cottus asper</i> (Prickly sculpin)	35, 43, 46, 48, 50, 51

FISH COMMUNITY STRUCTURE INDICES

Total Number of Species: 3 **% Native Fish Species:** 67%

SPECIES RATINGS (AS DEFINED BY R.A. LEIDY)

% Native Rating by Abundance (0-3): 3 **Salmonid Abundance (0-3):** 3

Total year-of-young in sample (0-3): 2 **Sculpin Abundance (0-3):** 2

* NOTE: This page presents selected data from one of R.A. Leidy's original field datasheets. Please see accompanying documentation for explanations of the data and their treatment. Species are listed in phylogenetic order.

Robert A. Leidy Fish Survey 1992-1998

SFEI Datasheet # LF058 *

SURVEY EVENT INFORMATION

Date: 10/14/93 **Time:** 0959 **SFEI Station ID:** STN0130
Location: La Costa Creek, 100 m downstream from ranch house at Water District property boundary
Watershed: Alameda Creek Watershed **County:** Alameda **USGS 7.5' Quad:** LA COSTA VALLEY

SPECIES LIST AND INDIVIDUAL LENGTHS

Species	Fork Length or Tail Length (mm)
<i>Oncorhynchus mykiss (Rainbow trout)</i>	53, 59, 60, 64, 65, 66, 66, 66, 67, 71, 75, 75, 76, 81, 83, 86, 86, 115

FISH COMMUNITY STRUCTURE INDICES

Total Number of Species: 1 **% Native Fish Species:** 100%

SPECIES RATINGS (AS DEFINED BY R.A. LEIDY)

% Native Rating by Abundance (0-3): 3 **Salmonid Abundance (0-3):** 3
Total year-of-young in sample (0-3): 2 **Sculpin Abundance (0-3):** 0

* NOTE: This page presents selected data from one of R.A. Leidy's original field datasheets. Please see accompanying documentation for explanations of the data and their treatment. Species are listed in phylogenetic order.

Robert A. Leidy Fish Survey 1992-1998 SFEI Datasheet # LF059 *

SURVEY EVENT INFORMATION

Date: 7/19/96 **Time:** 1300 **SFEI Station ID:** STN0175

Location: Palomares Creek, at confluence with Eden Canyon Creek, opposite Palomares School

Watershed: San Lorenzo Creek Watershed **County:** Alameda **USGS 7.5' Quad:** HAYWARD

SPECIES LIST AND INDIVIDUAL LENGTHS

Species	Fork Length or Tail Length (mm)
<i>Lavinia symmetricus</i> (California roach)	45, 46, 48, 53, 55, 55, 60, 62, 76, 86, 128 (plus 50 observed at 20-40 mm TL)
<i>Catostomus occidentalis</i> (Sacramento sucker)	35, 37, 51, 71, 85, 85, 86, 95, 98, 109, 110, 111, 115, 195, 195, 215 (plus 1000 observed at 20-40 mm TL)
<i>Gasterosteus aculeatus</i> (Threespine stickleback)	30, 32, 32, 35, 40, 51, 60

FISH COMMUNITY STRUCTURE INDICES

Total Number of Species: 3 **% Native Fish Species:** 100%

SPECIES RATINGS (AS DEFINED BY R.A. LEIDY)

% Native Rating by Abundance (0-3): 3 **Salmonid Abundance (0-3):** 0

Total year-of-young in sample (0-3): 3 **Sculpin Abundance (0-3):** 0

* NOTE: This page presents selected data from one of R.A. Leidy's original field datasheets. Please see accompanying documentation for explanations of the data and their treatment. Species are listed in phylogenetic order.

Robert A. Leidy Fish Survey 1992-1998

SFEI Datasheet # LF060 *

SURVEY EVENT INFORMATION

Date: 6/21/93 **Time:** none **SFEI Station ID:** STN0187

Location: Redwood Creek (Alameda County), downstream of culvert at East Bay Skyline Trail intersection with Redwood Road

Watershed: San Leandro Creek Watershed **County:** Alameda **USGS 7.5' Quad:** OAKLAND EAST

SPECIES LIST AND INDIVIDUAL LENGTHS

Species	Fork Length or Tail Length (mm)
<i>Oncorhynchus mykiss</i> (Rainbow trout)	38, 40, 40, 40, 40, 42, 43, 45, 45, 45, 46, 46, 46, 47, 47, 49, 49, 49, 50, 50, 50, 50, 50, 50, 50, 50, 50, 50, 50, 50, 52, 52, 54, 54, 55, 55, 55, 55, 55, 56, 56, 56, 57, 58, 60, 60, 60, 60, 61, 65, 65, 67, 68, 69, 70, 71, 72, 74, 75, 77, 78, 82, 85

FISH COMMUNITY STRUCTURE INDICES

Total Number of Species: 1 **% Native Fish Species:** 100%

SPECIES RATINGS (AS DEFINED BY R.A. LEIDY)

% Native Rating by Abundance (0-3): 3 **Salmonid Abundance (0-3):** 3

Total year-of-young in sample (0-3): 3 **Sculpin Abundance (0-3):** 0

* NOTE: This page presents selected data from one of R.A. Leidy's original field datasheets. Please see accompanying documentation for explanations of the data and their treatment. Species are listed in phylogenetic order.

Robert A. Leidy Fish Survey 1992-1998 SFEI Datasheet # LF061 *

SURVEY EVENT INFORMATION

Date: 6/25/93 **Time:** none **SFEI Station ID:** STN0185
Location: Redwood Creek (Alameda County), at junction of Redwood Road and Pinehurst Road
Watershed: San Leandro Creek Watershed **County:** Alameda **USGS 7.5' Quad:** OAKLAND EAST

SPECIES LIST AND INDIVIDUAL LENGTHS

Species	Fork Length or Tail Length (mm)
<i>Oncorhynchus mykiss</i> (<i>Rainbow trout</i>)	33, 35, 35, 35, 40, 40, 40, 40, 41, 41, 42, 42, 45, 46, 47, 47, 48, 50, 50, 52, 53, 53, 54, 55, 55, 55, 57, 59, 64, 64, 69, 69, 70, 72, 75, 79, 84, 84, 90

FISH COMMUNITY STRUCTURE INDICES

Total Number of Species: 1 **% Native Fish Species:** 100%

SPECIES RATINGS (AS DEFINED BY R.A. LEIDY)

% Native Rating by Abundance (0-3): 3 **Salmonid Abundance (0-3):** 3
Total year-of-young in sample (0-3): 3 **Sculpin Abundance (0-3):** 0

* NOTE: This page presents selected data from one of R.A. Leidy's original field datasheets. Please see accompanying documentation for explanations of the data and their treatment. Species are listed in phylogenetic order.

Robert A. Leidy Fish Survey 1992-1998

SFEI Datasheet # LF062 *

SURVEY EVENT INFORMATION

Date: 6/25/93

Time: 1430

SFEI Station ID: STN0189

Location: Redwood Creek (Alameda County), within Redwood Regional Park, up Alameda Road at Old Church Picnic Site

Watershed: San Leandro Creek Watershed **County:** Alameda

USGS 7.5' Quad: OAKLAND EAST

SPECIES LIST AND INDIVIDUAL LENGTHS

Species	Fork Length or Tail Length (mm)
<i>Oncorhynchus mykiss</i> (Rainbow trout)	41, 45, 48

FISH COMMUNITY STRUCTURE INDICES

Total Number of Species: 1 **% Native Fish Species:** 100%

SPECIES RATINGS (AS DEFINED BY R.A. LEIDY)

% Native Rating by Abundance (0-3): 3 **Salmonid Abundance (0-3):** 3

Total year-of-young in sample (0-3): 3 **Sculpin Abundance (0-3):** 0

* NOTE: This page presents selected data from one of R.A. Leidy's original field datasheets. Please see accompanying documentation for explanations of the data and their treatment. Species are listed in phylogenetic order.

Robert A. Leidy Fish Survey 1992-1998 SFEI Datasheet # LF063 *

SURVEY EVENT INFORMATION

Date: 2/5/97 **Time:** 1130 **SFEI Station ID:** STN0195
Location: San Antonio Creek, at first road crossing upstream from reservoir
Watershed: Alameda Creek Watershed **County:** Alameda **USGS 7.5' Quad:** LA COSTA VALLEY

SPECIES LIST AND INDIVIDUAL LENGTHS

Species	Fork Length or Tail Length (mm)
<i>Oncorhynchus mykiss</i> (Rainbow trout)	68, 72, 75, 78, 80, 89, 106, 135, 140, 148
<i>Catostomus occidentalis</i> (Sacramento sucker)	420, 430
<i>Cottus asper</i> (Prickly sculpin)	46, 50, 50, 51, 51, 51, 53, 53

FISH COMMUNITY STRUCTURE INDICES

Total Number of Species: 3 **% Native Fish Species:** 100%

SPECIES RATINGS (AS DEFINED BY R.A. LEIDY)

% Native Rating by Abundance (0-3): 3 **Salmonid Abundance (0-3):** 2
Total year-of-young in sample (0-3): 1 **Sculpin Abundance (0-3):** 3

* NOTE: This page presents selected data from one of R.A. Leidy's original field datasheets. Please see accompanying documentation for explanations of the data and their treatment. Species are listed in phylogenetic order.

Robert A. Leidy Fish Survey 1992-1998

SFEI Datasheet # LF064 *

SURVEY EVENT INFORMATION

Date: 2/5/97 **Time:** 1400 **SFEI Station ID:** STN0196

Location: San Antonio Creek, from confluence with La Costa Creek, upstream 30 m

Watershed: Alameda Creek Watershed **County:** Alameda **USGS 7.5' Quad:** LA COSTA VALLEY

SPECIES LIST AND INDIVIDUAL LENGTHS

Species	Fork Length or Tail Length (mm)
<i>Oncorhynchus mykiss</i> (Rainbow trout)	58, 61, 62, 66, 69, 71, 71, 72, 72, 78, 79, 85, 90
<i>Catostomus occidentalis</i> (Sacramento sucker)	110, 180
<i>Cottus asper</i> (Prickly sculpin)	56, 56, 66, 121

FISH COMMUNITY STRUCTURE INDICES

Total Number of Species: 3 **% Native Fish Species:** 100%

SPECIES RATINGS (AS DEFINED BY R.A. LEIDY)

% Native Rating by Abundance (0-3): 2 **Salmonid Abundance (0-3):** 2

Total year-of-young in sample (0-3): 1 **Sculpin Abundance (0-3):** 2

* NOTE: This page presents selected data from one of R.A. Leidy's original field datasheets. Please see accompanying documentation for explanations of the data and their treatment. Species are listed in phylogenetic order.

Robert A. Leidy Fish Survey 1992-1998 SFEI Datasheet # LF065 *

SURVEY EVENT INFORMATION

Date: 6/8/93 **Time:** 1000 **SFEI Station ID:** STN0204

Location: San Leandro Creek, approximately 50 m downstream from confluence with Indian Creek

Watershed: San Leandro Creek Watershed **County:** Contra Costa **USGS 7.5' Quad:** OAKLAND EAST

SPECIES LIST AND INDIVIDUAL LENGTHS

Species	Fork Length or Tail Length (mm)
<i>Oncorhynchus mykiss</i> (Rainbow trout)	42, 44, 45, 46, 47, 48, 48, 48, 49, 50, 50, 51, 52, 52, 52, 54, 55, 55, 56, 62, 71, 72, 82
<i>Cottus asper</i> (Prickly sculpin)	32, 36, 36, 37, 38, 38, 39, 40, 40, 41, 43, 43, 43, 58

FISH COMMUNITY STRUCTURE INDICES

Total Number of Species: 2 **% Native Fish Species:** 100%

SPECIES RATINGS (AS DEFINED BY R.A. LEIDY)

% Native Rating by Abundance (0-3): 3	Salmonid Abundance (0-3): 3
Total year-of-young in sample (0-3): 3	Sculpin Abundance (0-3): 3

* NOTE: This page presents selected data from one of R.A. Leidy's original field datasheets. Please see accompanying documentation for explanations of the data and their treatment. Species are listed in phylogenetic order.

Robert A. Leidy Fish Survey 1992-1998

SFEI Datasheet # LF066 *

SURVEY EVENT INFORMATION

Date: 6/8/93

Time: none

SFEI Station ID: STN0203

Location: San Leandro Creek, 0.5 km upstream from the downstream-most road crossing on Pinehurst

Watershed: San Leandro Creek Watershed

County: Contra Costa

USGS 7.5' Quad: OAKLAND EAST

SPECIES LIST AND INDIVIDUAL LENGTHS

Species	Fork Length or Tail Length (mm)
<i>Oncorhynchus mykiss</i> (Rainbow trout)	27, 33, 33, 34, 36, 37, 38, 42, 43, 45, 47, 49, 50, 50, 52, 53, 53, 58, 60, 62, 64, 65, 69, 123
<i>Cottus asper</i> (Prickly sculpin)	30, 30, 31, 31, 31, 31, 32, 33, 33, 33, 33, 33, 33, 34, 35, 38, 40, 41

FISH COMMUNITY STRUCTURE INDICES

Total Number of Species: 2

% Native Fish Species: 100%

SPECIES RATINGS (AS DEFINED BY R.A. LEIDY)

% Native Rating by Abundance (0-3): 3

Salmonid Abundance (0-3): 3

Total year-of-young in sample (0-3): 3

Sculpin Abundance (0-3): 3

* NOTE: This page presents selected data from one of R.A. Leidy's original field datasheets. Please see accompanying documentation for explanations of the data and their treatment. Species are listed in phylogenetic order.

Robert A. Leidy Fish Survey 1992-1998

SFEI Datasheet # LF067 *

SURVEY EVENT INFORMATION

Date: 6/15/93 **Time:** 1145 **SFEI Station ID:** STN0208
Location: San Leandro Creek, in San Leandro City Park, approximately 25 m downstream from the bridge at entrance
Watershed: San Leandro Creek Watershed **County:** Alameda **USGS 7.5' Quad:** SAN LEANDRO

SPECIES LIST AND INDIVIDUAL LENGTHS

Species	Fork Length or Tail Length (mm)
<i>Oncorhynchus mykiss</i> (Rainbow trout)	68, 72, 82, 82
<i>Catostomus occidentalis</i> (Sacramento sucker)	250
<i>Gasterosteus aculeatus</i> (Threespine stickleback)	18, 18, 19, 20, 20, 21, 23, 23, 24, 24, 24, 25, 25, 26, 27, 28, 28, 28, 29, 29
<i>Cottus asper</i> (Prickly sculpin)	87

FISH COMMUNITY STRUCTURE INDICES

Total Number of Species: 4 **% Native Fish Species:** 100%

SPECIES RATINGS (AS DEFINED BY R.A. LEIDY)

% Native Rating by Abundance (0-3): 3 **Salmonid Abundance (0-3):** 1
Total year-of-young in sample (0-3): 1 **Sculpin Abundance (0-3):** 1

* NOTE: This page presents selected data from one of R.A. Leidy's original field datasheets. Please see accompanying documentation for explanations of the data and their treatment. Species are listed in phylogenetic order.

Robert A. Leidy Fish Survey 1992-1998 SFEI Datasheet # LF068 *

SURVEY EVENT INFORMATION

Date: 6/22/93

Time: 1130

SFEI Station ID: STN0206

Location: San Leandro Creek, at Pinehurst Road, 50 m downstream of culvert

Watershed: San Leandro Creek Watershed **County:** Contra Costa **USGS 7.5' Quad:** OAKLAND EAST

SPECIES LIST AND INDIVIDUAL LENGTHS

Species	Fork Length or Tail Length (mm)
<i>Oncorhynchus mykiss</i> (Rainbow trout)	26, 32, 34, 35, 35, 38, 39, 40, 40, 42, 42, 43, 44, 45, 45, 45, 48, 49, 50, 51, 52, 53, 55, 55, 55, 56, 57, 58, 60, 60, 65, 65, 65, 65, 65, 66, 69, 70, 76, 110, 154

FISH COMMUNITY STRUCTURE INDICES

Total Number of Species: 1 **% Native Fish Species:** 100%

SPECIES RATINGS (AS DEFINED BY R.A. LEIDY)

% Native Rating by Abundance (0-3): 3 **Salmonid Abundance (0-3):** 3

Total year-of-young in sample (0-3): 3 **Sculpin Abundance (0-3):** 0

* NOTE: This page presents selected data from one of R.A. Leidy's original field datasheets. Please see accompanying documentation for explanations of the data and their treatment. Species are listed in phylogenetic order.

Robert A. Leidy Fish Survey 1992-1998

SFEI Datasheet # LF069 *

SURVEY EVENT INFORMATION

Date: 12/27/93

Time: 1500

SFEI Station ID: STN0207

Location: San Leandro Creek, immediately downstream of MacArthur Boulevard bridge and Highway 580

Watershed: San Leandro Creek Watershed

County: Alameda

USGS 7.5' Quad: SAN LEANDRO

SPECIES LIST AND INDIVIDUAL LENGTHS

Species	Fork Length or Tail Length (mm)
<i>Gasterosteus aculeatus</i> (Threespine stickleback)	51, 55, 56
<i>Cottus asper</i> (Prickly sculpin)	91

FISH COMMUNITY STRUCTURE INDICES

Total Number of Species: 2 **% Native Fish Species:** 100%

SPECIES RATINGS (AS DEFINED BY R.A. LEIDY)

% Native Rating by Abundance (0-3): 3 **Salmonid Abundance (0-3):** 0

Total year-of-young in sample (0-3): 0 **Sculpin Abundance (0-3):** 1

* NOTE: This page presents selected data from one of R.A. Leidy's original field datasheets. Please see accompanying documentation for explanations of the data and their treatment. Species are listed in phylogenetic order.

Robert A. Leidy Fish Survey 1992-1998 SFEI Datasheet # LF070 *

SURVEY EVENT INFORMATION

Date: 2/21/97

Time: 1130

SFEI Station ID: STN0205

Location: San Leandro Creek, at footbridge above school located upstream of East 14th Street

Watershed: San Leandro Creek Watershed

County: Alameda

USGS 7.5' Quad: SAN LEANDRO

SPECIES LIST AND INDIVIDUAL LENGTHS

Species	Fork Length or Tail Length (mm)
<i>Oncorhynchus mykiss</i> (Rainbow trout)	465
<i>Catostomus occidentalis</i> (Sacramento sucker)	67, 215, 225

FISH COMMUNITY STRUCTURE INDICES

Total Number of Species: 2

% Native Fish Species: 100%

SPECIES RATINGS (AS DEFINED BY R.A. LEIDY)

% Native Rating by Abundance (0-3): 1

Salmonid Abundance (0-3): 1

Total year-of-young in sample (0-3): 0

Sculpin Abundance (0-3): 0

* NOTE: This page presents selected data from one of R.A. Leidy's original field datasheets. Please see accompanying documentation for explanations of the data and their treatment. Species are listed in phylogenetic order.

Robert A. Leidy Fish Survey 1992-1998

SFEI Datasheet # LF071 *

SURVEY EVENT INFORMATION

Date: 5/30/94 **Time:** 1020 **SFEI Station ID:** STN0241

Location: Tassajara Creek, at Tassajara Regional Land Bank, from bridge, upstream 50 m

Watershed: Alameda Creek Watershed **County:** Alameda **USGS 7.5' Quad:** LIVERMORE

SPECIES LIST AND INDIVIDUAL LENGTHS

Species	Fork Length or Tail Length (mm)
<i>Lavinia symmetricus</i> (California roach)	45, 52, 55 (plus 15 observed within size range)
<i>Gasterosteus aculeatus</i> (Threespine stickleback)	29, 31, 32, 35, 36, 36, 36, 38, 38, 42, 42, 42, 45, 46, 47 (plus 100 within size range)

FISH COMMUNITY STRUCTURE INDICES

Total Number of Species: 2 **% Native Fish Species:** 100%

SPECIES RATINGS (AS DEFINED BY R.A. LEIDY)

% Native Rating by Abundance (0-3): 1	Salmonid Abundance (0-3): 0
Total year-of-young in sample (0-3): 2	Sculpin Abundance (0-3): 0

* NOTE: This page presents selected data from one of R.A. Leidy's original field datasheets. Please see accompanying documentation for explanations of the data and their treatment. Species are listed in phylogenetic order.

Robert A. Leidy Fish Survey 1992-1998

SFEI Datasheet # LF074 *

SURVEY EVENT INFORMATION

Date: 8/19/97 **Time:** 1100 **SFEI Station ID:** STN0111

Location: Grayson Creek, approximately 100 m upstream from the confluence with Walnut Creek

Watershed: Walnut Creek Watershed **County:** Contra Costa **USGS 7.5' Quad:** VINE HILL

SPECIES LIST AND INDIVIDUAL LENGTHS

Species	Fork Length or Tail Length (mm)
<i>Cyprinus carpio</i> (Carp)	152
<i>Catostomus occidentalis</i> (Sacramento sucker)	115
<i>Gambusia affinis</i> (Western mosquitofish)	27, 27, 30, 31, 32, 35, 36, 36, 36, 36, 37, 37, 38, 39, 39, 39, 40, 40, 40, 41, 41, 41, 41, 41, 41, 41, 41, 42, 43, 43, 45, 47 (plus 30 observed within size range)
<i>Menidia beryllina</i> (Inland silverside)	32, 32, 33, 34, 34, 36, 36, 36, 36, 37, 41, 41, 43, 45, 45, 46, 46, 48, 49, 50, 51, 59, 59, 60, 62, 63, 66 (plus 25 observed within size range)
<i>Morone saxatilis</i> (Striped bass)	66, 72, 75, 77, 79, 81, 81, 83, 84, 91, 91, 92, 94, 95, 97, 97, 99, 102, 105, 106
<i>Lepomis gibbosus</i> (Pumpkinseed)	57, 65
<i>Acanthogobius flavimanus</i> (Yellowfin goby)	55, 73, 97, 98, 103, 119
<i>Tridentiger trionocephalus</i> (Chameleon goby)	35, 55, 60, 62, 63, 64, 65, 70
<i>Cottus asper</i> (Prickly sculpin)	60, 67, 70

FISH COMMUNITY STRUCTURE INDICES

Total Number of Species: 9 **% Native Fish Species:** 22%

SPECIES RATINGS (AS DEFINED BY R.A. LEIDY)

% Native Rating by Abundance (0-3): 1 **Salmonid Abundance (0-3):** 0

Total year-of-young in sample (0-3): 3 **Sculpin Abundance (0-3):** 1

* NOTE: This page presents selected data from one of R.A. Leidy's original field datasheets. Please see accompanying documentation for explanations of the data and their treatment. Species are listed in phylogenetic order.

Robert A. Leidy Fish Survey 1992-1998 SFEI Datasheet # LF076 *

SURVEY EVENT INFORMATION

Date: 6/22/93

Time: 1400

SFEI Station ID: STN0125

Location: Indian Creek (Contra Costa County), approximately 100 m upstream from intersection of Pinehurst Road and Canyon Road

Watershed: San Leandro Creek Watershed

County: Contra Costa

USGS 7.5' Quad: OAKLAND EAST

SPECIES LIST AND INDIVIDUAL LENGTHS

Species	Fork Length or Tail Length (mm)
<i>Oncorhynchus mykiss</i> (Rainbow trout)	146, 168, 169, 181, 190

FISH COMMUNITY STRUCTURE INDICES

Total Number of Species: 1

% Native Fish Species: 100%

SPECIES RATINGS (AS DEFINED BY R.A. LEIDY)

% Native Rating by Abundance (0-3): 3

Salmonid Abundance (0-3): 2

Total year-of-young in sample (0-3): 0

Sculpin Abundance (0-3): 0

* NOTE: This page presents selected data from one of R.A. Leidy's original field datasheets. Please see accompanying documentation for explanations of the data and their treatment. Species are listed in phylogenetic order.

Robert A. Leidy Fish Survey 1992-1998

SFEI Datasheet # LF077 *

SURVEY EVENT INFORMATION

Date: 6/24/93

Time: 1100

SFEI Station ID: STN0124

Location: Indian Creek (Contra Costa County), approximately 0.5 km east of junction of Canyon Road and Pinehurst Road, along Canyon Road

Watershed: San Leandro Creek Watershed

County: Contra Costa

USGS 7.5' Quad: OAKLAND EAST

SPECIES LIST AND INDIVIDUAL LENGTHS

Species	Fork Length or Tail Length (mm)
<i>No fish recorded</i>	

FISH COMMUNITY STRUCTURE INDICES

Total Number of Species: 0 **% Native Fish Species:** 0%

SPECIES RATINGS (AS DEFINED BY R.A. LEIDY)

% Native Rating by Abundance (0-3): 0 **Salmonid Abundance (0-3):** 0

Total year-of-young in sample (0-3): 0 **Sculpin Abundance (0-3):** 0

* NOTE: This page presents selected data from one of R.A. Leidy's original field datasheets. Please see accompanying documentation for explanations of the data and their treatment. Species are listed in phylogenetic order.

Robert A. Leidy Fish Survey 1992-1998

SFEI Datasheet # LF078 *

SURVEY EVENT INFORMATION

Date: 2/5/97 **Time:** 1330 **SFEI Station ID:** STN0123

Location: Indian Creek (Alameda County), approximately 0.3 km upstream from road crossing along San Antonio Reservoir

Watershed: Alameda Creek Watershed **County:** Alameda **USGS 7.5' Quad:** LA COSTA VALLEY

SPECIES LIST AND INDIVIDUAL LENGTHS

Species	Fork Length or Tail Length (mm)
<i>Oncorhynchus mykiss</i> (Rainbow trout)	75, 105, 125, 130
<i>Catostomus occidentalis</i> (Sacramento sucker)	445
<i>Cottus asper</i> (Prickly sculpin)	48, 49, 50

FISH COMMUNITY STRUCTURE INDICES

Total Number of Species: 3 **% Native Fish Species:** 100%

SPECIES RATINGS (AS DEFINED BY R.A. LEIDY)

% Native Rating by Abundance (0-3): 2 **Salmonid Abundance (0-3):** 1

Total year-of-young in sample (0-3): 1 **Sculpin Abundance (0-3):** 1

* NOTE: This page presents selected data from one of R.A. Leidy's original field datasheets. Please see accompanying documentation for explanations of the data and their treatment. Species are listed in phylogenetic order.

Robert A. Leidy Fish Survey 1992-1998

SFEI Datasheet # LF079 *

SURVEY EVENT INFORMATION

Date: 6/24/98 **Time:** 1300 **SFEI Station ID:** STN0132

Location: Las Trampas Creek, approximately 100 m upstream from Pleasant Hill Road crossing; immediately downstream of concrete weir

Watershed: Walnut Creek Watershed **County:** Contra Costa **USGS 7.5' Quad:** WALNUT CREEK

SPECIES LIST AND INDIVIDUAL LENGTHS

Species	Fork Length or Tail Length (mm)
<i>Lavinia symmetricus</i> (California roach)	32, 44, 48, 48, 50, 51, 51, 52, 52, 52, 52, 53, 53, 53, 54, 54, 55, 56, 56, 56, 56, 58, 61, 62, 63, 64, 68, 70, 74, 80 (plus 50 within size range)
<i>Catostomus occidentalis</i> (Sacramento sucker)	82, 105, 176, 195, 220 (plus approx. 200 individuals at 15-25 mm TL in bedrock, backwater pool, isolated from channel)

FISH COMMUNITY STRUCTURE INDICES

Total Number of Species: 2 **% Native Fish Species:** 100%

SPECIES RATINGS (AS DEFINED BY R.A. LEIDY)

% Native Rating by Abundance (0-3): 3 **Salmonid Abundance (0-3):** 0

Total year-of-young in sample (0-3): 3 **Sculpin Abundance (0-3):** 0

* NOTE: This page presents selected data from one of R.A. Leidy's original field datasheets. Please see accompanying documentation for explanations of the data and their treatment. Species are listed in phylogenetic order.

Robert A. Leidy Fish Survey 1992-1998
SFEI Datasheet # LF080 *

SURVEY EVENT INFORMATION

Date: 6/29/93 **Time:** none **SFEI Station ID:** STN0104
Location: Donner Creek, at entrance to watershed, approximately 75 m upstream from the end of Regency Road
Watershed: Mount Diablo Creek Watershed **County:** Contra Costa **USGS 7.5' Quad:** CLAYTON

SPECIES LIST AND INDIVIDUAL LENGTHS

Species	Fork Length or Tail Length (mm)
<i>No fish recorded</i>	

FISH COMMUNITY STRUCTURE INDICES

Total Number of Species: 0 **% Native Fish Species:** 0%

SPECIES RATINGS (AS DEFINED BY R.A. LEIDY)

% Native Rating by Abundance (0-3): 0 **Salmonid Abundance (0-3):** 0

Total year-of-young in sample (0-3): 0 **Sculpin Abundance (0-3):** 0

* NOTE: This page presents selected data from one of R.A. Leidy's original field datasheets. Please see accompanying documentation for explanations of the data and their treatment. Species are listed in phylogenetic order.

**Robert A. Leidy Fish Survey 1992-1998
SFEI Datasheet # LF082 ***

SURVEY EVENT INFORMATION

Date: 6/30/93 **Time:** 1045 **SFEI Station ID:** STN0155

Location: Mount Diablo Creek, at Kent Way and Heather Glen Ln; at old location of Brazil Quarry Park

Watershed: Mount Diablo Creek Watershed **County:** Contra Costa **USGS 7.5' Quad:** CLAYTON

SPECIES LIST AND INDIVIDUAL LENGTHS

Species	Fork Length or Tail Length (mm)
<i>No fish recorded; No water in channel</i>	

FISH COMMUNITY STRUCTURE INDICES

Total Number of Species: 0 **% Native Fish Species:** 0%

SPECIES RATINGS (AS DEFINED BY R.A. LEIDY)

% Native Rating by Abundance (0-3): 0 **Salmonid Abundance (0-3):** 0
Total year-of-young in sample (0-3): 0 **Sculpin Abundance (0-3):** 0

* NOTE: This page presents selected data from one of R.A. Leidy's original field datasheets. Please see accompanying documentation for explanations of the data and their treatment. Species are listed in phylogenetic order.

Robert A. Leidy Fish Survey 1992-1998 SFEI Datasheet # LF083 *

SURVEY EVENT INFORMATION

Date: 6/30/93 **Time:** 1400 **SFEI Station ID:** STN0153

Location: Mount Diablo Creek, at Diablo Creek Golf Course, upstream from bridge near parking lot

Watershed: Mount Diablo Creek **County:** Contra Costa **USGS 7.5' Quad:** VINE HILL
Watershed

SPECIES LIST AND INDIVIDUAL LENGTHS

Species	Fork Length or Tail Length (mm)
<i>Catostomus occidentalis</i> (Sacramento sucker)	30, 34, 43, 45
<i>Cottus asper</i> (Prickly sculpin)	45, 47, 54, 55, 60, 61, 62, 73

FISH COMMUNITY STRUCTURE INDICES

Total Number of Species: 2 **% Native Fish Species:** 100%

SPECIES RATINGS (AS DEFINED BY R.A. LEIDY)

% Native Rating by Abundance (0-3): 3 **Salmonid Abundance (0-3):** 0

Total year-of-young in sample (0-3): 0 **Sculpin Abundance (0-3):** 3

* NOTE: This page presents selected data from one of R.A. Leidy's original field datasheets. Please see accompanying documentation for explanations of the data and their treatment. Species are listed in phylogenetic order.

Robert A. Leidy Fish Survey 1992-1998

SFEI Datasheet # LF084 *

SURVEY EVENT INFORMATION

Date: 12/10/93 **Time:** 1230 **SFEI Station ID:** STN0157

Location: Mount Diablo Creek, immediately downstream from confluence with Irish Canyon Creek, 200 m upstream from confluence with Mitchell Creek

Watershed: Mount Diablo Creek Watershed **County:** Contra Costa **USGS 7.5' Quad:** CLAYTON

SPECIES LIST AND INDIVIDUAL LENGTHS

Species	Fork Length or Tail Length (mm)
<i>Lavinia symmetricus</i> (California roach)	41, 41, 44, 44, 45, 45, 45, 48, 49, 49, 50, 50, 51, 52, 52, 52, 52, 52, 53, 55, 56, 56, 60, 62, 63, 65, 68, 72, 73, 78, 79 (plus 100 observed within size range)
<i>Gasterosteus aculeatus</i> (Threespine stickleback)	25, 37, 40

FISH COMMUNITY STRUCTURE INDICES

Total Number of Species: 2 **% Native Fish Species:** 100%

SPECIES RATINGS (AS DEFINED BY R.A. LEIDY)

% Native Rating by Abundance (0-3): 3 **Salmonid Abundance (0-3):** 0

Total year-of-young in sample (0-3): 3 **Sculpin Abundance (0-3):** 0

* NOTE: This page presents selected data from one of R.A. Leidy's original field datasheets. Please see accompanying documentation for explanations of the data and their treatment. Species are listed in phylogenetic order.

Robert A. Leidy Fish Survey 1992-1998

SFEI Datasheet # LF085 *

SURVEY EVENT INFORMATION

Date: 6/5/98 **Time:** 1215 **SFEI Station ID:** STN0152

Location: Mount Diablo Creek, at Concord Municipal Golf Course, approximately 50 m downstream from maintenance yard

Watershed: Mount Diablo Creek Watershed **County:** Contra Costa **USGS 7.5' Quad:** PORT CHICAGO

SPECIES LIST AND INDIVIDUAL LENGTHS

Species	Fork Length or Tail Length (mm)
<i>Catostomus occidentalis</i> (Sacramento sucker)	20, 30, 30, 32, 35, 36, 37, 37
<i>Gasterosteus aculeatus</i> (Threespine stickleback)	25, 31, 33, 33, 34, 36, 38, 40, 41, 42, 43, 44, 45, 45 (plus 10 observed within size range)
<i>Morone saxatilis</i> (Striped bass)	420
<i>Cottus asper</i> (Prickly sculpin)	35

FISH COMMUNITY STRUCTURE INDICES

Total Number of Species: 4 **% Native Fish Species:** 75%

SPECIES RATINGS (AS DEFINED BY R.A. LEIDY)

% Native Rating by Abundance (0-3): 2 **Salmonid Abundance (0-3):** 0

Total year-of-young in sample (0-3): 2 **Sculpin Abundance (0-3):** 1

* NOTE: This page presents selected data from one of R.A. Leidy's original field datasheets. Please see accompanying documentation for explanations of the data and their treatment. Species are listed in phylogenetic order.

Robert A. Leidy Fish Survey 1992-1998
SFEI Datasheet # LF086 *

SURVEY EVENT INFORMATION

Date: 6/5/98

Time: 1315

SFEI Station ID: STN0151

Location: Mount Diablo Creek, approximately 200 m upstream from Port Chicago Highway crossing

Watershed: Mount Diablo Creek
Watershed

County: Contra Costa

USGS 7.5' Quad: PORT CHICAGO

SPECIES LIST AND INDIVIDUAL LENGTHS

Species	Fork Length or Tail Length (mm)
<i>Catostomus occidentalis</i> (Sacramento sucker)	26, 31, 35, 36, 37, 37, 38, 38, 41, 41, 45, 46, 85, 88, 104, 107, 115

FISH COMMUNITY STRUCTURE INDICES

Total Number of Species: 1 **% Native Fish Species:** 100%

SPECIES RATINGS (AS DEFINED BY R.A. LEIDY)

% Native Rating by Abundance (0-3): 2 **Salmonid Abundance (0-3):** 0

Total year-of-young in sample (0-3): 3 **Sculpin Abundance (0-3):** 0

* NOTE: This page presents selected data from one of R.A. Leidy's original field datasheets. Please see accompanying documentation for explanations of the data and their treatment. Species are listed in phylogenetic order.

Robert A. Leidy Fish Survey 1992-1998 SFEI Datasheet # LF087 *

SURVEY EVENT INFORMATION

Date: 6/8/98 **Time:** 0930 **SFEI Station ID:** STN0156
Location: Mount Diablo Creek, from 25 m upstream of Port Chicago Highway bridge, upstream for 25 m
Watershed: Mount Diablo Creek **County:** Contra Costa **USGS 7.5' Quad:** PORT CHICAGO
 Watershed

SPECIES LIST AND INDIVIDUAL LENGTHS

Species	Fork Length or Tail Length (mm)
<i>Catostomus occidentalis</i> (Sacramento sucker)	21, 24, 25, 27, 27, 28, 30, 31, 32, 38
<i>Gasterosteus aculeatus</i> (Threespine stickleback)	25, 27, 30, 31, 32, 36, 36, 37, 40, 41, 46, 55, 61, 66, 68

FISH COMMUNITY STRUCTURE INDICES

Total Number of Species: 2 **% Native Fish Species:** 100%

SPECIES RATINGS (AS DEFINED BY R.A. LEIDY)

% Native Rating by Abundance (0-3): 2 **Salmonid Abundance (0-3):** 0

Total year-of-young in sample (0-3): 3 **Sculpin Abundance (0-3):** 0

* NOTE: This page presents selected data from one of R.A. Leidy's original field datasheets. Please see accompanying documentation for explanations of the data and their treatment. Species are listed in phylogenetic order.

Robert A. Leidy Fish Survey 1992-1998

SFEI Datasheet # LF088 *

SURVEY EVENT INFORMATION

Date: 6/8/98 **Time:** 1130 **SFEI Station ID:** STN0150

Location: Mount Diablo Creek, approximately 200 m upstream from maintenance yard near putting green

Watershed: Mount Diablo Creek **County:** Contra Costa **USGS 7.5' Quad:** PORT CHICAGO
 Watershed

SPECIES LIST AND INDIVIDUAL LENGTHS

Species	Fork Length or Tail Length (mm)
<i>Catostomus occidentalis</i> (Sacramento sucker)	22, 29, 31, 31, 38, 46
<i>Gasterosteus aculeatus</i> (Threespine stickleback)	31

FISH COMMUNITY STRUCTURE INDICES

Total Number of Species: 2 **% Native Fish Species:** 100%

SPECIES RATINGS (AS DEFINED BY R.A. LEIDY)

% Native Rating by Abundance (0-3): 1 **Salmonid Abundance (0-3):** 0

Total year-of-young in sample (0-3): 1 **Sculpin Abundance (0-3):** 0

* NOTE: This page presents selected data from one of R.A. Leidy's original field datasheets. Please see accompanying documentation for explanations of the data and their treatment. Species are listed in phylogenetic order.

Robert A. Leidy Fish Survey 1992-1998

SFEI Datasheet # LF089 *

SURVEY EVENT INFORMATION

Date: 6/8/98 **Time:** 1300 **SFEI Station ID:** STN0149
Location: Mount Diablo Creek, 50 m upstream from end of Tobi Lane (off Bailey Road), Concord
Watershed: Mount Diablo Creek Watershed **County:** Contra Costa **USGS 7.5' Quad:** CLAYTON

SPECIES LIST AND INDIVIDUAL LENGTHS

Species	Fork Length or Tail Length (mm)
<i>Catostomus occidentalis</i> (Sacramento sucker)	35, 36, 37, 37, 38, 38, 39, 39, 40, 40, 40, 41, 41, 42, 42 (plus 20 observed within size range)

FISH COMMUNITY STRUCTURE INDICES

Total Number of Species: 1 **% Native Fish Species:** 100%

SPECIES RATINGS (AS DEFINED BY R.A. LEIDY)

% Native Rating by Abundance (0-3): 1 **Salmonid Abundance (0-3):** 0
Total year-of-young in sample (0-3): 1 **Sculpin Abundance (0-3):** 0

* NOTE: This page presents selected data from one of R.A. Leidy's original field datasheets. Please see accompanying documentation for explanations of the data and their treatment. Species are listed in phylogenetic order.

Robert A. Leidy Fish Survey 1992-1998

SFEI Datasheet # LF090 *

SURVEY EVENT INFORMATION

Date: 6/8/98 **Time:** 1430 **SFEI Station ID:** STN0154

Location: Mount Diablo Creek, at end of North Mitchell Canyon Drive (between footbridges)

Watershed: Mount Diablo Creek Watershed **County:** Contra Costa **USGS 7.5' Quad:** CLAYTON

SPECIES LIST AND INDIVIDUAL LENGTHS

Species	Fork Length or Tail Length (mm)
<i>Lavinia symmetricus</i> (<i>California roach</i>)	56, 59, 61, 62, 63, 65, 65, 65, 65, 65, 66, 66, 67, 68, 68, 69, 70, 70, 70, 70, 71, 72, 74, 76, 77, 78, 79, 81, 85, 88, 90, 92 (plus 50 observed within size range)
<i>Gasterosteus aculeatus</i> (<i>Threespine stickleback</i>)	27, 31, 60, 70

FISH COMMUNITY STRUCTURE INDICES

Total Number of Species: 2 **% Native Fish Species:** 100%

SPECIES RATINGS (AS DEFINED BY R.A. LEIDY)

% Native Rating by Abundance (0-3): 3 **Salmonid Abundance (0-3):** 0

Total year-of-young in sample (0-3): 1 **Sculpin Abundance (0-3):** 0

* NOTE: This page presents selected data from one of R.A. Leidy's original field datasheets. Please see accompanying documentation for explanations of the data and their treatment. Species are listed in phylogenetic order.

Robert A. Leidy Fish Survey 1992-1998
SFEI Datasheet # LF091 *

SURVEY EVENT INFORMATION

Date: 10/20/94 **Time:** 0930 **SFEI Station ID:** STN0182

Location: Pinole Creek, from 100 m downstream of Santa Fe Railroad bridge, downstream to upper end of tidal influence

Watershed: Pinole Creek Watershed **County:** Contra Costa **USGS 7.5' Quad:** MARE ISLAND

SPECIES LIST AND INDIVIDUAL LENGTHS

Species	Fork Length or Tail Length (mm)
<i>Lavinia symmetricus</i> (California roach)	68, 77
<i>Gambusia affinis</i> (Western mosquitofish)	28, 31, 40
<i>Gasterosteus aculeatus</i> (Threespine stickleback)	32, 38, 38, 38, 40, 40, 41, 41, 41, 41, 41, 42, 42, 42, 43, 43, 43, 45, 45, 45, 50, 52 (plus 100 observed within size range)
<i>Cottus asper</i> (Prickly sculpin)	60, 70, 83, 88, 89, 92, 113

FISH COMMUNITY STRUCTURE INDICES

Total Number of Species: 4 **% Native Fish Species:** 75%

SPECIES RATINGS (AS DEFINED BY R.A. LEIDY)

% Native Rating by Abundance (0-3): 3 **Salmonid Abundance (0-3):** 0
Total year-of-young in sample (0-3): 1 **Sculpin Abundance (0-3):** 2

* NOTE: This page presents selected data from one of R.A. Leidy's original field datasheets. Please see accompanying documentation for explanations of the data and their treatment. Species are listed in phylogenetic order.

Robert A. Leidy Fish Survey 1992-1998
SFEI Datasheet # LF092 *

SURVEY EVENT INFORMATION

Date: 10/20/94 **Time:** 1130 **SFEI Station ID:** STN0180
Location: Pinole Creek, along Pinole Valley Road, 100 m upstream of Eastshore Freeway
Watershed: Pinole Creek Watershed **County:** Contra Costa **USGS 7.5' Quad:** RICHMOND

SPECIES LIST AND INDIVIDUAL LENGTHS

Species	Fork Length or Tail Length (mm)
<i>Oncorhynchus mykiss</i> (Rainbow trout)	65, 75, 135
<i>Lavinia symmetricus</i> (California roach)	58 (plus 3 observed)
<i>Catostomus occidentalis</i> (Sacramento sucker)	60, 78, 185, 220
<i>Gasterosteus aculeatus</i> (Threespine stickleback)	34, 38
<i>Cottus asper</i> (Prickly sculpin)	No measurements taken (3 observed at 60-80 mm)

FISH COMMUNITY STRUCTURE INDICES

Total Number of Species: 5 **% Native Fish Species:** 100%

SPECIES RATINGS (AS DEFINED BY R.A. LEIDY)

% Native Rating by Abundance (0-3): 3 **Salmonid Abundance (0-3):** 1
Total year-of-young in sample (0-3): 1 **Sculpin Abundance (0-3):** 1

* NOTE: This page presents selected data from one of R.A. Leidy's original field datasheets. Please see accompanying documentation for explanations of the data and their treatment. Species are listed in phylogenetic order.

Robert A. Leidy Fish Survey 1992-1998
SFEI Datasheet # LF093 *

SURVEY EVENT INFORMATION

Date: 10/20/94 **Time:** 1530 **SFEI Station ID:** STN0183
Location: Pinole Creek, opposite parking lot along Pinole Valley Road, 0.3 km upstream of Ellerhors School
Watershed: Pinole Creek Watershed **County:** Contra Costa **USGS 7.5' Quad:** RICHMOND

SPECIES LIST AND INDIVIDUAL LENGTHS

Species	Fork Length or Tail Length (mm)
<i>Lavinia symmetricus (California roach)</i>	25, 40, 45, 48, 50, 52, 53, 55, 55, 60, 65, 65, 65, 68, 70, 73, 75, 85 (plus 50 observed within size range)
<i>Catostomus occidentalis (Sacramento sucker)</i>	60, 64, 65, 68, 70, 135, 164, 180
<i>Gasterosteus aculeatus (Threespine stickleback)</i>	15, 30, 30 (plus 25 within size range)

FISH COMMUNITY STRUCTURE INDICES

Total Number of Species: 3 **% Native Fish Species:** 100%
SPECIES RATINGS (AS DEFINED BY R.A. LEIDY)
% Native Rating by Abundance (0-3): 0 **Salmonid Abundance (0-3):** 0
Total year-of-young in sample (0-3): 0 **Sculpin Abundance (0-3):** 0

* NOTE: This page presents selected data from one of R.A. Leidy's original field datasheets. Please see accompanying documentation for explanations of the data and their treatment. Species are listed in phylogenetic order.

Robert A. Leidy Fish Survey 1992-1998

SFEI Datasheet # LF094 *

SURVEY EVENT INFORMATION

Date: 11/3/94 **Time:** 1015 **SFEI Station ID:** STN0181

Location: Pinole Creek, at large pool immediately downstream from junction of Alhambra Valley Road and Castro Ranch Road

Watershed: Pinole Creek Watershed **County:** Contra Costa **USGS 7.5' Quad:** BRIONES VALLEY

SPECIES LIST AND INDIVIDUAL LENGTHS

Species	Fork Length or Tail Length (mm)
<i>Gasterosteus aculeatus</i> (Threespine stickleback)	22, 22, 24, 25, 26, 26, 26, 26, 27, 27, 27, 28, 31, 32, 32, 33, 36

FISH COMMUNITY STRUCTURE INDICES

Total Number of Species: 1 **% Native Fish Species:** 100%

SPECIES RATINGS (AS DEFINED BY R.A. LEIDY)

% Native Rating by Abundance (0-3): 1 **Salmonid Abundance (0-3):** 0

Total year-of-young in sample (0-3): 2 **Sculpin Abundance (0-3):** 0

* NOTE: This page presents selected data from one of R.A. Leidy's original field datasheets. Please see accompanying documentation for explanations of the data and their treatment. Species are listed in phylogenetic order.

Robert A. Leidy Fish Survey 1992-1998 SFEI Datasheet # LF095 *

SURVEY EVENT INFORMATION

Date: 11/3/94 **Time:** 1153 **SFEI Station ID:** STN0179
Location: Pinole Creek, 1.75 km downstream from junction of Alhambra Valley Road and Pinole Valley Road
Watershed: Pinole Creek Watershed **County:** Contra Costa **USGS 7.5' Quad:** BRIONES VALLEY

SPECIES LIST AND INDIVIDUAL LENGTHS

Species	Fork Length or Tail Length (mm)
<i>Catostomus occidentalis</i> (Sacramento sucker)	71, 76, 76, 76, 78, 78, 81, 82, 82, 83, 83, 84, 84, 85, 86, 91, 93, 240
<i>Gasterosteus aculeatus</i> (Threespine stickleback)	28, 35, 37, 41, 46

FISH COMMUNITY STRUCTURE INDICES

Total Number of Species: 2 **% Native Fish Species:** 100%

SPECIES RATINGS (AS DEFINED BY R.A. LEIDY)

% Native Rating by Abundance (0-3): 3	Salmonid Abundance (0-3): 0
Total year-of-young in sample (0-3): 1	Sculpin Abundance (0-3): 0

* NOTE: This page presents selected data from one of R.A. Leidy's original field datasheets. Please see accompanying documentation for explanations of the data and their treatment. Species are listed in phylogenetic order.

Robert A. Leidy Fish Survey 1992-1998

SFEI Datasheet # LF096 *

SURVEY EVENT INFORMATION

Date: 10/20/94 **Time:** 1000 **SFEI Station ID:** STN0190

Location: Rodeo Creek, 100 m upstream of 4th Street bridge, Rodeo

Watershed: Rodeo Creek Watershed **County:** Contra Costa **USGS 7.5' Quad:** MARE ISLAND

SPECIES LIST AND INDIVIDUAL LENGTHS

Species	Fork Length or Tail Length (mm)
<i>Lucania parva</i> (<i>Rainwater killifish</i>)	22, 25, 25, 25, 26, 26, 28, 31, 35, 35, 39, 40, 48
<i>Gasterosteus aculeatus</i> (<i>Threespine stickleback</i>)	30, 31, 34, 34, 35, 35, 35, 36, 36, 36, 36, 36, 38, 38, 39, 39, 40, 40, 40, 40, 41, 42, 43, 45, 45, 45 (plus 50 within size range)

FISH COMMUNITY STRUCTURE INDICES

Total Number of Species: 2 **% Native Fish Species:** 50%

SPECIES RATINGS (AS DEFINED BY R.A. LEIDY)

% Native Rating by Abundance (0-3): 2 **Salmonid Abundance (0-3):** 0

Total year-of-young in sample (0-3): 1 **Sculpin Abundance (0-3):** 0

* NOTE: This page presents selected data from one of R.A. Leidy's original field datasheets. Please see accompanying documentation for explanations of the data and their treatment. Species are listed in phylogenetic order.

Robert A. Leidy Fish Survey 1992-1998
SFEI Datasheet # LF097 *

SURVEY EVENT INFORMATION

Date: 10/20/94

Time: 1100

SFEI Station ID: STN0191

Location: Rodeo Creek, immediately downstream from intersection of Willow Road and Viewpoint Road

Watershed: Rodeo Creek Watershed

County: Contra Costa

USGS 7.5' Quad: MARE ISLAND

SPECIES LIST AND INDIVIDUAL LENGTHS

Species	Fork Length or Tail Length (mm)
<i>Gasterosteus aculeatus</i> (Threespine stickleback)	32, 33, 34, 38, 38, 38, 39, 39, 40, 40, 41, 41, 41, 42, 42, 42, 43, 43, 43, 43, 44, 45, 45, 45, 46, 47, 47, 47, 48, 50 (plus 200 observed within size range)

FISH COMMUNITY STRUCTURE INDICES

Total Number of Species: 1

% Native Fish Species: 100%

SPECIES RATINGS (AS DEFINED BY R.A. LEIDY)

% Native Rating by Abundance (0-3): 2

Salmonid Abundance (0-3): 0

Total year-of-young in sample (0-3): 1

Sculpin Abundance (0-3): 0

* NOTE: This page presents selected data from one of R.A. Leidy's original field datasheets. Please see accompanying documentation for explanations of the data and their treatment. Species are listed in phylogenetic order.

Robert A. Leidy Fish Survey 1992-1998

SFEI Datasheet # LF098 *

SURVEY EVENT INFORMATION

Date: 10/9/93 **Time:** 1400 **SFEI Station ID:** STN0213

Location: San Pablo Creek, approximately 300 m upstream from Avenida de Orinda crossing, opposite parking lot

Watershed: San Pablo Creek Watershed **County:** Contra Costa **USGS 7.5' Quad:** BRIONES VALLEY

SPECIES LIST AND INDIVIDUAL LENGTHS

Species	Fork Length or Tail Length (mm)
<i>Gasterosteus aculeatus</i> (<i>Threespine stickleback</i>)	32, 37, 38, 40, 42, 42, 42, 43, 43, 44, 45, 45, 46, 46, 46, 50, 50, 51, 51, 51, 52, 53, 53, 53, 55

FISH COMMUNITY STRUCTURE INDICES

Total Number of Species: 1 **% Native Fish Species:** 100%

SPECIES RATINGS (AS DEFINED BY R.A. LEIDY)

% Native Rating by Abundance (0-3): 2 **Salmonid Abundance (0-3):** 0

Total year-of-young in sample (0-3): 1 **Sculpin Abundance (0-3):** 0

* NOTE: This page presents selected data from one of R.A. Leidy's original field datasheets. Please see accompanying documentation for explanations of the data and their treatment. Species are listed in phylogenetic order.

Robert A. Leidy Fish Survey 1992-1998 SFEI Datasheet # LF099 *

SURVEY EVENT INFORMATION

Date: 11/3/93 **Time:** 1130 **SFEI Station ID:** STN0258

Location: Walnut Creek, opposite Hilton Hotel, just downstream from bridge crossing

Watershed: Walnut Creek Watershed **County:** Contra Costa **USGS 7.5' Quad:** WALNUT CREEK

SPECIES LIST AND INDIVIDUAL LENGTHS

Species	Fork Length or Tail Length (mm)
<i>Oncorhynchus tshawytscha</i> (Chinook salmon)	510, 540
<i>Lavinia exilicauda</i> (Hitch)	115, 129
<i>Lavinia symmetricus</i> (California roach)	40, 40, 42, 45, 49, 49, 52, 53, 57, 57, 59, 60, 61, 63, 72, 90
<i>Catostomus occidentalis</i> (Sacramento sucker)	64, 80
<i>Lepomis gibbosus</i> (Pumpkinseed)	87, 124
<i>Lepomis cyanellus</i> (Green sunfish)	92
<i>Acanthogobius flavimanus</i> (Yellowfin goby)	127
<i>Cottus asper</i> (Prickly sculpin)	75

FISH COMMUNITY STRUCTURE INDICES

Total Number of Species: 8 **% Native Fish Species:** 63%

SPECIES RATINGS (AS DEFINED BY R.A. LEIDY)

% Native Rating by Abundance (0-3): 3 **Salmonid Abundance (0-3):** 1

Total year-of-young in sample (0-3): 1 **Sculpin Abundance (0-3):** 1

* NOTE: This page presents selected data from one of R.A. Leidy's original field datasheets. Please see accompanying documentation for explanations of the data and their treatment. Species are listed in phylogenetic order.

Robert A. Leidy Fish Survey 1992-1998

SFEI Datasheet # LF101 *

SURVEY EVENT INFORMATION

Date: 11/8/93 **Time:** none **SFEI Station ID:** STN0248
Location: Walnut Creek, 600 m downstream from Willow Pass Road
Watershed: Walnut Creek Watershed **County:** Contra Costa **USGS 7.5' Quad:** WALNUT CREEK

SPECIES LIST AND INDIVIDUAL LENGTHS

Species	Fork Length or Tail Length (mm)
<i>Lavinia symmetricus</i> (California roach)	54
<i>Lepomis microlophus</i> (Redear sunfish)	150
<i>Lepomis cyanellus</i> (Green sunfish)	115

FISH COMMUNITY STRUCTURE INDICES

Total Number of Species: 3 **% Native Fish Species:** 33%

SPECIES RATINGS (AS DEFINED BY R.A. LEIDY)

% Native Rating by Abundance (0-3): 1 **Salmonid Abundance (0-3):** 0
Total year-of-young in sample (0-3): 0 **Sculpin Abundance (0-3):** 0

* NOTE: This page presents selected data from one of R.A. Leidy's original field datasheets. Please see accompanying documentation for explanations of the data and their treatment. Species are listed in phylogenetic order.

Robert A. Leidy Fish Survey 1992-1998
SFEI Datasheet # LF102 *

SURVEY EVENT INFORMATION

Date: 11/8/93 **Time:** 0930 **SFEI Station ID:** STN0250
Location: Walnut Creek, at Pacheco Road overcrossing
Watershed: Walnut Creek Watershed **County:** Contra Costa **USGS 7.5' Quad:** WALNUT CREEK

SPECIES LIST AND INDIVIDUAL LENGTHS

Species	Fork Length or Tail Length (mm)
<i>Gambusia affinis</i> (Western mosquitofish)	No measurements taken
<i>Lepomis cyanellus</i> (Green sunfish)	109
<i>Acanthogobius flavimanus</i> (Yellowfin goby)	111, 122, 129, 130, 131, 132, 132, 133, 139

FISH COMMUNITY STRUCTURE INDICES

Total Number of Species: 3 **% Native Fish Species:** 0%

SPECIES RATINGS (AS DEFINED BY R.A. LEIDY)

% Native Rating by Abundance (0-3): 0 **Salmonid Abundance (0-3):** 0
Total year-of-young in sample (0-3): 0 **Sculpin Abundance (0-3):** 0

* NOTE: This page presents selected data from one of R.A. Leidy's original field datasheets. Please see accompanying documentation for explanations of the data and their treatment. Species are listed in phylogenetic order.

Robert A. Leidy Fish Survey 1992-1998 SFEI Datasheet # LF103 *

SURVEY EVENT INFORMATION

Date: 11/9/93 **Time:** 1200 **SFEI Station ID:** STN0252

Location: Walnut Creek, boulder-riffle section below box channel at Monument Road

Watershed: Walnut Creek Watershed **County:** Contra Costa **USGS 7.5' Quad:** WALNUT CREEK

SPECIES LIST AND INDIVIDUAL LENGTHS

Species	Fork Length or Tail Length (mm)
<i>Lavinia symmetricus</i> (California roach)	31, 39, 39, 40, 43, 45, 45, 45, 46, 47, 49, 50, 51, 53, 54, 55, 56, 58, 59, 60, 61, 61, 63 (plus 500 observed)
<i>Catostomus occidentalis</i> (Sacramento sucker)	65, 107, 108, 109, 111, 111, 112, 113, 115, 119, 119, 124, 125, 131, 135, 138, 141 (plus 100 caught and released)
<i>Gasterosteus aculeatus</i> (Threespine stickleback)	29, 40, 41, 50
<i>Lepomis cyanellus</i> (Green sunfish)	59

FISH COMMUNITY STRUCTURE INDICES

Total Number of Species: 4 **% Native Fish Species:** 75%

SPECIES RATINGS (AS DEFINED BY R.A. LEIDY)

% Native Rating by Abundance (0-3): 0 **Salmonid Abundance (0-3):** 0

Total year-of-young in sample (0-3): 1 **Sculpin Abundance (0-3):** 0

* NOTE: This page presents selected data from one of R.A. Leidy's original field datasheets. Please see accompanying documentation for explanations of the data and their treatment. Species are listed in phylogenetic order.

Robert A. Leidy Fish Survey 1992-1998

SFEI Datasheet # LF104 *

SURVEY EVENT INFORMATION

Date: 12/9/93 **Time:** 0900 **SFEI Station ID:** STN0253
Location: Walnut Creek, from Diamond Blvd bridge, downstream 60 m
Watershed: Walnut Creek Watershed **County:** Contra Costa **USGS 7.5' Quad:** WALNUT CREEK

SPECIES LIST AND INDIVIDUAL LENGTHS

Species	Fork Length or Tail Length (mm)
<i>Lavinia symmetricus</i> (California roach)	55, 55, 60, 60, 61, 65, 66, 83, 85
<i>Catostomus occidentalis</i> (Sacramento sucker)	135, 140, 155
<i>Gambusia affinis</i> (Western mosquitofish)	27, 31, 34
<i>Morone saxatilis</i> (Striped bass)	325
<i>Lepomis cyanellus</i> (Green sunfish)	120

FISH COMMUNITY STRUCTURE INDICES

Total Number of Species: 5 **% Native Fish Species:** 40%

SPECIES RATINGS (AS DEFINED BY R.A. LEIDY)

% Native Rating by Abundance (0-3): 2 **Salmonid Abundance (0-3):** 0
Total year-of-young in sample (0-3): 0 **Sculpin Abundance (0-3):** 0

* NOTE: This page presents selected data from one of R.A. Leidy's original field datasheets. Please see accompanying documentation for explanations of the data and their treatment. Species are listed in phylogenetic order.

Robert A. Leidy Fish Survey 1992-1998
SFEI Datasheet # LF105 *

SURVEY EVENT INFORMATION

Date: 12/9/93 **Time:** 1030 **SFEI Station ID:** STN0251
Location: Walnut Creek, at Willow Pass Road crossing, downstream 30 m
Watershed: Walnut Creek Watershed **County:** Contra Costa **USGS 7.5' Quad:** WALNUT CREEK

SPECIES LIST AND INDIVIDUAL LENGTHS

Species	Fork Length or Tail Length (mm)
<i>Cyprinus carpio</i> (Carp)	162, 162
<i>Carassius auratus</i> (Goldfish)	168
<i>Lavinia symmetricus</i> (California roach)	52, 52, 52, 52, 54, 54, 54, 54, 58, 60, 62, 62, 62, 62, 62, 63, 64, 65, 65, 68, 70, 70, 71, 72, 80 (plus 20 observed within size range)
<i>Catostomus occidentalis</i> (Sacramento sucker)	93
<i>Gambusia affinis</i> (Western mosquitofish)	32, 32, 32, 34, 37, 38, 38
<i>Menidia beryllina</i> (Inland silverside)	89, 92
<i>Gasterosteus aculeatus</i> (Threespine stickleback)	43, 44, 52 (plus 20 observed within size range)
<i>Morone saxatilis</i> (Striped bass)	450
<i>Lepomis microlophus</i> (Redear sunfish)	100
<i>Lepomis cyanellus</i> (Green sunfish)	131

FISH COMMUNITY STRUCTURE INDICES

Total Number of Species: 10 **% Native Fish Species:** 30%

SPECIES RATINGS (AS DEFINED BY R.A. LEIDY)

% Native Rating by Abundance (0-3): 1 **Salmonid Abundance (0-3):** 0

Total year-of-young in sample (0-3): 0 **Sculpin Abundance (0-3):** 0

* NOTE: This page presents selected data from one of R.A. Leidy's original field datasheets. Please see accompanying documentation for explanations of the data and their treatment. Species are listed in phylogenetic order.

Robert A. Leidy Fish Survey 1992-1998

SFEI Datasheet # LF110 *

SURVEY EVENT INFORMATION

Date: 6/5/97 **Time:** 1100 **SFEI Station ID:** STN0249

Location: Walnut Creek, approximately 100 m downstream from Highway 4 bridge/drop structure

Watershed: Walnut Creek Watershed **County:** Contra Costa **USGS 7.5' Quad:** WALNUT CREEK

SPECIES LIST AND INDIVIDUAL LENGTHS

Species	Fork Length or Tail Length (mm)
<i>Lavinia symmetricus</i> (California roach)	59 (plus 10 observed)
<i>Catostomus occidentalis</i> (Sacramento sucker)	52, 52, 55, 56, 59, 64, 65, 66, 73, 78, 85, 91
<i>Gasterosteus aculeatus</i> (Threespine stickleback)	26, 27, 27, 28, 29, 30, 30, 31, 31, 31, 32, 32, 33, 34, 35, 36, 36, 36, 37, 38, 38, 40, 41, 42, 44, 44, 45, 46, 71 (plus 100 observed within size range)
<i>Lepomis</i> spp. (Unidentified sunfish)	No measurements taken (visual, approx. 70mm)
<i>Cottus asper</i> (Prickly sculpin)	49, 57, 60

FISH COMMUNITY STRUCTURE INDICES

Total Number of Species: 5 **% Native Fish Species:** 80%

SPECIES RATINGS (AS DEFINED BY R.A. LEIDY)

% Native Rating by Abundance (0-3): 3 **Salmonid Abundance (0-3):** 0

Total year-of-young in sample (0-3): 3 **Sculpin Abundance (0-3):** 2

* NOTE: This page presents selected data from one of R.A. Leidy's original field datasheets. Please see accompanying documentation for explanations of the data and their treatment. Species are listed in phylogenetic order.

Robert A. Leidy Fish Survey 1992-1998

SFEI Datasheet # LF111 *

SURVEY EVENT INFORMATION

Date: 6/5/97 **Time:** 1330 **SFEI Station ID:** STN0254

Location: Walnut Creek, immediately downstream of Bancroft Avenue drop structure

Watershed: Walnut Creek Watershed **County:** Contra Costa **USGS 7.5' Quad:** WALNUT CREEK

SPECIES LIST AND INDIVIDUAL LENGTHS

Species	Fork Length or Tail Length (mm)
<i>Lavinia symmetricus</i> (California roach)	34, 50, 54, 56, 56, 61, 61, 62, 63, 64, 64, 64, 65, 65, 65, 65, 65, 67, 68, 71, 71, 72, 73, 73, 73, 78, 78, 78, 78, 80 (plus 500 observed at less than 25 mm TL; and plus 500 observed within size range)
<i>Catostomus occidentalis</i> (Sacramento sucker)	No measurements taken (2 observed at 180-220 mm (ask RL))
<i>Gasterosteus aculeatus</i> (Threespine stickleback)	32, 42, 42, 42, 43, 45, 45, 49, 55

FISH COMMUNITY STRUCTURE INDICES

Total Number of Species: 3 **% Native Fish Species:** 100%

SPECIES RATINGS (AS DEFINED BY R.A. LEIDY)

% Native Rating by Abundance (0-3): 3 **Salmonid Abundance (0-3):** 0

Total year-of-young in sample (0-3): 3 **Sculpin Abundance (0-3):** 0

* NOTE: This page presents selected data from one of R.A. Leidy's original field datasheets. Please see accompanying documentation for explanations of the data and their treatment. Species are listed in phylogenetic order.

Robert A. Leidy Fish Survey 1992-1998

SFEI Datasheet # LF112 *

SURVEY EVENT INFORMATION

Date: 7/15/92 **Time:** 1000 **SFEI Station ID:** STN0263

Location: Wildcat Creek, Wildcat Regional Park (lower section), Station 19-85, as established by East Bay Regional Park District

Watershed: Wildcat Creek Watershed **County:** Contra Costa **USGS 7.5' Quad:** RICHMOND

SPECIES LIST AND INDIVIDUAL LENGTHS

Species	Fork Length or Tail Length (mm)
<i>Oncorhynchus mykiss</i> (Rainbow trout)	66, 74, 134, 163, 171, 188, 195, 213, 224 (plus 31 YOY)
<i>Gasterosteus aculeatus</i> (Threespine stickleback)	56

FISH COMMUNITY STRUCTURE INDICES

Total Number of Species: 2 **% Native Fish Species:** 100%

SPECIES RATINGS (AS DEFINED BY R.A. LEIDY)

% Native Rating by Abundance (0-3): 3 **Salmonid Abundance (0-3):** 3

Total year-of-young in sample (0-3): 2 **Sculpin Abundance (0-3):** 0

* NOTE: This page presents selected data from one of R.A. Leidy's original field datasheets. Please see accompanying documentation for explanations of the data and their treatment. Species are listed in phylogenetic order.

Robert A. Leidy Fish Survey 1992-1998 SFEI Datasheet # LF113 *

SURVEY EVENT INFORMATION

Date: 6/18/93 **Time:** 1000 **SFEI Station ID:** STN0262
Location: Wildcat Creek, immediately downstream of Verde Street bridge
Watershed: Wildcat Creek Watershed **County:** Contra Costa **USGS 7.5' Quad:** RICHMOND

SPECIES LIST AND INDIVIDUAL LENGTHS

Species	Fork Length or Tail Length (mm)
<i>Gasterosteus aculeatus</i> (<i>Threespine stickleback</i>)	18, 18, 18, 18, 18, 19, 19, 20, 20, 21, 21, 22, 22, 23, 23, 23, 24, 24, 24, 24, 24, 24, 24, 25, 26, 26, 26, 26, 26, 26, 27, 27, 27, 27, 28, 28, 29, 29, 29, 29, 30, 30, 30, 30, 31, 31, 31, 31, 33, 33

FISH COMMUNITY STRUCTURE INDICES

Total Number of Species: 1 **% Native Fish Species:** 100%

SPECIES RATINGS (AS DEFINED BY R.A. LEIDY)

% Native Rating by Abundance (0-3): 3	Salmonid Abundance (0-3): 0
Total year-of-young in sample (0-3): 3	Sculpin Abundance (0-3): 0

* NOTE: This page presents selected data from one of R.A. Leidy's original field datasheets. Please see accompanying documentation for explanations of the data and their treatment. Species are listed in phylogenetic order.

Robert A. Leidy Fish Survey 1992-1998 SFEI Datasheet # LF114 *

SURVEY EVENT INFORMATION

Date: 7/18/97 **Time:** 1045 **SFEI Station ID:** STN0036

Location: Arroyo Corte Madera del Presidio Creek, at La Goma Street bridge, Mill Valley

Watershed: Arroyo Corte Madera del Presidio Creek Watershed **County:** Marin **USGS 7.5' Quad:** SAN RAFAEL

SPECIES LIST AND INDIVIDUAL LENGTHS

Species	Fork Length or Tail Length (mm)
<i>Oncorhynchus mykiss</i> (Rainbow trout)	135, 150
<i>Lavinia symmetricus</i> (California roach)	20, 20, 21, 21, 22, 22, 23, 24, 25, 26, 27, 30, 30, 31, 31, 31, 32, 32, 32, 32, 32, 33, 33, 38, 39, 41, 43, 47, 51, 52 (plus 100 observed within size range)
<i>Gasterosteus aculeatus</i> (Threespine stickleback)	42, 47, 52
<i>Cottus asper</i> (Prickly sculpin)	41, 42, 42, 52, 52, 53, 54, 55, 55, 56, 62, 63, 68, 69, 73, 77, 117, 131, 145
<i>Leptocottus armatus</i> (Staghorn sculpin)	91

FISH COMMUNITY STRUCTURE INDICES

Total Number of Species: 5 **% Native Fish Species:** 100%

SPECIES RATINGS (AS DEFINED BY R.A. LEIDY)

% Native Rating by Abundance (0-3): 3 **Salmonid Abundance (0-3):** 1

Total year-of-young in sample (0-3): 3 **Sculpin Abundance (0-3):** 3

* NOTE: This page presents selected data from one of R.A. Leidy's original field datasheets. Please see accompanying documentation for explanations of the data and their treatment. Species are listed in phylogenetic order.

Robert A. Leidy Fish Survey 1992-1998 SFEI Datasheet # LF115 *

SURVEY EVENT INFORMATION

Date: 7/18/97

Time: 1145

SFEI Station ID: STN0037

Location: Arroyo Corte Madera del Presidio Creek, at pool downstream from Park Avenue bridge, Mill Valley

Watershed: Arroyo Corte Madera del Presidio Creek Watershed

County: Marin

USGS 7.5' Quad: SAN RAFAEL

SPECIES LIST AND INDIVIDUAL LENGTHS

Species	Fork Length or Tail Length (mm)
<i>Oncorhynchus mykiss</i> (Rainbow trout)	100, 102, 148, 158, 186, 198, 240, 253, 257, 266, 270, 277, 288, 301, 307
<i>Lavinia symmetricus</i> (California roach)	19, 20, 22, 25, 25, 26, 26, 27, 27, 27, 27, 27, 27, 27, 28, 28, 28, 29, 29, 30, 30, 30, 30, 31, 33, 35, 37, 40, 40, 57, 130 (plus 50 observed at 25-30 mm TL)
<i>Gasterosteus aculeatus</i> (Threespine stickleback)	65
<i>Cottus asper</i> (Prickly sculpin)	62, 62, 66, 67, 72, 107, 107, 121, 126, 130, 151

FISH COMMUNITY STRUCTURE INDICES

Total Number of Species: 4 **% Native Fish Species:** 100%

SPECIES RATINGS (AS DEFINED BY R.A. LEIDY)

% Native Rating by Abundance (0-3): 3 **Salmonid Abundance (0-3):** 3

Total year-of-young in sample (0-3): 3 **Sculpin Abundance (0-3):** 3

* NOTE: This page presents selected data from one of R.A. Leidy's original field datasheets. Please see accompanying documentation for explanations of the data and their treatment. Species are listed in phylogenetic order.

Robert A. Leidy Fish Survey 1992-1998 SFEI Datasheet # LF116 *

SURVEY EVENT INFORMATION

Date: 7/18/97 **Time:** 1430 **SFEI Station ID:** STN0038

Location: Arroyo Corte Madera del Presidio Creek, at pools immediately upstream and downstream of Marsh Road crossing on West Blithedale Road, Mill Valley

Watershed: Arroyo Corte Madera del Presidio Creek Watershed **County:** Marin **USGS 7.5' Quad:** SAN RAFAEL

SPECIES LIST AND INDIVIDUAL LENGTHS

Species	Fork Length or Tail Length (mm)
<i>Oncorhynchus mykiss</i> (Rainbow trout)	47, 47, 55, 56, 61, 63, 65, 66, 67, 115, 126, 195

FISH COMMUNITY STRUCTURE INDICES

Total Number of Species: 1 **% Native Fish Species:** 100%

SPECIES RATINGS (AS DEFINED BY R.A. LEIDY)

% Native Rating by Abundance (0-3): 3 **Salmonid Abundance (0-3):** 2

Total year-of-young in sample (0-3): 2 **Sculpin Abundance (0-3):** 0

* NOTE: This page presents selected data from one of R.A. Leidy's original field datasheets. Please see accompanying documentation for explanations of the data and their treatment. Species are listed in phylogenetic order.

Robert A. Leidy Fish Survey 1992-1998

SFEI Datasheet # LF117 *

SURVEY EVENT INFORMATION

Date: 7/19/97 **Time:** 1200 **SFEI Station ID:** STN0039

Location: Arroyo Corte Madera del Presidio Creek, immediately downstream from Presidio Road bridge at Millwood Road

Watershed: Arroyo Corte Madera del Presidio Creek Watershed **County:** Marin **USGS 7.5' Quad:** SAN RAFAEL

SPECIES LIST AND INDIVIDUAL LENGTHS

Species	Fork Length or Tail Length (mm)
<i>Oncorhynchus mykiss</i> (Rainbow trout)	59, 63, 96, 173
<i>Lavinia symmetricus</i> (California roach)	21, 21, 21, 22, 22, 22, 23, 24, 24, 25, 25, 25, 26, 26, 26, 27, 27, 27, 29, 30, 30, 30, 31, 31, 32, 33 (plus 25 observed within size range)
<i>Gasterosteus aculeatus</i> (Threespine stickleback)	25, 27, 28, 33, 35, 36, 38, 40, 48 (plus 20 observed within size range)
<i>Cottus asper</i> (Prickly sculpin)	60, 65, 68, 71, 75, 110, 114, 117, 122, 132

FISH COMMUNITY STRUCTURE INDICES

Total Number of Species: 4 **% Native Fish Species:** 100%

SPECIES RATINGS (AS DEFINED BY R.A. LEIDY)

% Native Rating by Abundance (0-3): 3 **Salmonid Abundance (0-3):** 2

Total year-of-young in sample (0-3): 3 **Sculpin Abundance (0-3):** 3

* NOTE: This page presents selected data from one of R.A. Leidy's original field datasheets. Please see accompanying documentation for explanations of the data and their treatment. Species are listed in phylogenetic order.

Robert A. Leidy Fish Survey 1992-1998

SFEI Datasheet # LF118 *

SURVEY EVENT INFORMATION

Date: 6/6/97 **Time:** 1006 **SFEI Station ID:** STN0057

Location: Arroyo San Jose Creek, opposite business park at end of Digital Drive, Novato Business Park

Watershed: Arroyo San Jose Creek **County:** Marin **USGS 7.5' Quad:** NOVATO
Watershed

SPECIES LIST AND INDIVIDUAL LENGTHS

Species	Fork Length or Tail Length (mm)
<i>Catostomus occidentalis</i> (Sacramento sucker)	30, 34
<i>Gambusia affinis</i> (Western mosquitofish)	46
<i>Gasterosteus aculeatus</i> (Threespine stickleback)	20, 22, 25, 28, 28, 30, 30, 30, 31, 32, 32, 32, 32, 33, 33, 34, 34, 55
<i>Cottus asper</i> (Prickly sculpin)	34, 34, 36, 38, 40, 42, 42, 43, 44, 45, 46, 46, 57

FISH COMMUNITY STRUCTURE INDICES

Total Number of Species: 4 **% Native Fish Species:** 75%

SPECIES RATINGS (AS DEFINED BY R.A. LEIDY)

% Native Rating by Abundance (0-3): 2 **Salmonid Abundance (0-3):** 0

Total year-of-young in sample (0-3): 3 **Sculpin Abundance (0-3):** 3

* NOTE: This page presents selected data from one of R.A. Leidy's original field datasheets. Please see accompanying documentation for explanations of the data and their treatment. Species are listed in phylogenetic order.

Robert A. Leidy Fish Survey 1992-1998 SFEI Datasheet # LF119 *

SURVEY EVENT INFORMATION

Date: 7/19/97

Time: 1115

SFEI Station ID: STN0072

Location: Cascade Creek, approximately 50 m upstream from confluence with Old Mill Creek

Watershed: Arroyo Corte Madera del
Presidio Creek Watershed

County: Marin

USGS 7.5' Quad: SAN RAFAEL

SPECIES LIST AND INDIVIDUAL LENGTHS

Species	Fork Length or Tail Length (mm)
<i>Oncorhynchus mykiss</i> (Rainbow trout)	50, 53, 65, 67, 75

FISH COMMUNITY STRUCTURE INDICES

Total Number of Species: 1 % Native Fish Species: 100%

SPECIES RATINGS (AS DEFINED BY R.A. LEIDY)

% Native Rating by Abundance (0-3): 1 Salmonid Abundance (0-3): 1

Total year-of-young in sample (0-3): 1 Sculpin Abundance (0-3): 0

* NOTE: This page presents selected data from one of R.A. Leidy's original field datasheets. Please see accompanying documentation for explanations of the data and their treatment. Species are listed in phylogenetic order.

Robert A. Leidy Fish Survey 1992-1998

SFEI Datasheet # LF120 *

SURVEY EVENT INFORMATION

Date: 7/7/93 **Time:** 1100 **SFEI Station ID:** STN0076
Location: Corte Madera Creek (Marin County), at Sylvan Road bridge, at fire department in Ross
Watershed: Corte Madera Creek **County:** Marin **USGS 7.5' Quad:** SAN RAFAEL
Watershed

SPECIES LIST AND INDIVIDUAL LENGTHS

Species	Fork Length or Tail Length (mm)
<i>Oncorhynchus mykiss</i> (Rainbow trout)	75, 80, 88, 107 (plus 10 observed within size range)
<i>Lavinia symmetricus</i> (California roach)	19, 20, 20, 20, 20, 20, 22, 22, 25, 25, 25, 25, 25, 30, 30, 30, 30
<i>Gasterosteus aculeatus</i> (Threespine stickleback)	22, 23, 25, 25, 25, 26, 30, 30, 31, 32, 33, 34, 35, 39, 40, 40 (plus 34 at 25-30 mm TL)
<i>Cottus asper</i> (Prickly sculpin)	35, 36, 40, 42, 45, 46, 49, 55

FISH COMMUNITY STRUCTURE INDICES

Total Number of Species: 4 **% Native Fish Species:** 100%

SPECIES RATINGS (AS DEFINED BY R.A. LEIDY)

% Native Rating by Abundance (0-3): 3 **Salmonid Abundance (0-3):** 1

Total year-of-young in sample (0-3): 3 **Sculpin Abundance (0-3):** 3

* NOTE: This page presents selected data from one of R.A. Leidy's original field datasheets. Please see accompanying documentation for explanations of the data and their treatment. Species are listed in phylogenetic order.

Robert A. Leidy Fish Survey 1992-1998 SFEI Datasheet # LF121 *

SURVEY EVENT INFORMATION

Date: 7/12/93 **Time:** 1410 **SFEI Station ID:** STN0080
Location: Corte Madera Creek (Marin County), in Creek Park, immediately downstream from bridge/walkway
Watershed: Corte Madera Creek **County:** Marin **USGS 7.5' Quad:** SAN RAFAEL
 Watershed

SPECIES LIST AND INDIVIDUAL LENGTHS

Species	Fork Length or Tail Length (mm)
<i>Lavinia symmetricus</i> (California roach)	50, 55, 58, 60, 60, 65, 66, 69, 70, 70, 72, 72, 74, 75, 77, 78, 80, 80, 80, 81, 81, 82, 83, 85, 94, 95, 97, 100, 109, 110, 110, 110, 111, 125, 127 (plus 500 observed within size range)
<i>Catostomus occidentalis</i> (Sacramento sucker)	35, 115, 119, 131, 135, 135, 137, 142, 149, 154, 164, 165, 235, 275 (plus 20-30 observed within size range)
<i>Gasterosteus aculeatus</i> (Threespine stickleback)	22, 25, 25, 27, 30, 35, 35, 37, 38, 40
<i>Cottus asper</i> (Prickly sculpin)	41, 60, 66, 67, 70, 71, 78, 102

FISH COMMUNITY STRUCTURE INDICES

Total Number of Species: 4 **% Native Fish Species:** 100%

SPECIES RATINGS (AS DEFINED BY R.A. LEIDY)

% Native Rating by Abundance (0-3): 3 **Salmonid Abundance (0-3):** 0
Total year-of-young in sample (0-3): 3 **Sculpin Abundance (0-3):** 3

* NOTE: This page presents selected data from one of R.A. Leidy's original field datasheets. Please see accompanying documentation for explanations of the data and their treatment. Species are listed in phylogenetic order.

Robert A. Leidy Fish Survey 1992-1998

SFEI Datasheet # LF122 *

SURVEY EVENT INFORMATION

Date: 12/31/93

Time: 0900

SFEI Station ID: STN0077

Location: Corte Madera Creek (Marin County), from fish ladder, upstream past Ross Post Office

Watershed: Corte Madera Creek Watershed

County: Marin

USGS 7.5' Quad: SAN RAFAEL

SPECIES LIST AND INDIVIDUAL LENGTHS

Species	Fork Length or Tail Length (mm)
<i>Oncorhynchus mykiss</i> (Rainbow trout)	110
<i>Lavinia symmetricus</i> (California roach)	30, 32, 52, 55, 57, 58, 58, 58, 58, 60, 60, 60, 62, 62, 62, 64, 64, 65, 65, 65, 65, 68, 68, 70, 70, 71, 71, 72, 75, 75, 79, 80, 80, 102, 105 (plus 50 observed within size range; plus 250 observed at 20-50 mm)
<i>Catostomus occidentalis</i> (Sacramento sucker)	100, 101, 105, 108, 119, 120, 128, 160
<i>Gasterosteus aculeatus</i> (Threespine stickleback)	40, 45, 50

FISH COMMUNITY STRUCTURE INDICES

Total Number of Species: 4 % Native Fish Species: 100%

SPECIES RATINGS (AS DEFINED BY R.A. LEIDY)

% Native Rating by Abundance (0-3): 3 Salmonid Abundance (0-3): 1

Total year-of-young in sample (0-3): 3 Sculpin Abundance (0-3): 1

* NOTE: This page presents selected data from one of R.A. Leidy's original field datasheets. Please see accompanying documentation for explanations of the data and their treatment. Species are listed in phylogenetic order.

Robert A. Leidy Fish Survey 1992-1998

SFEI Datasheet # LF123 *

SURVEY EVENT INFORMATION

Date: 12/31/93 **Time:** 1030 **SFEI Station ID:** STN0078

Location: Corte Madera Creek (Marin County), from Winship Road crossing, upstream 30 m

Watershed: Corte Madera Creek Watershed **County:** Marin **USGS 7.5' Quad:** SAN RAFAEL

SPECIES LIST AND INDIVIDUAL LENGTHS

Species	Fork Length or Tail Length (mm)
<i>Lavinia symmetricus</i> (California roach)	52, 56, 58, 60, 60, 60, 60, 60, 61, 62, 62, 62, 63, 64, 65, 68, 69, 76, 76 (plus 500 at 25-40 mm observed)
<i>Catostomus occidentalis</i> (Sacramento sucker)	52, 56, 58
<i>Gasterosteus aculeatus</i> (Threespine stickleback)	33, 43

FISH COMMUNITY STRUCTURE INDICES

Total Number of Species: 3 **% Native Fish Species:** 100%

SPECIES RATINGS (AS DEFINED BY R.A. LEIDY)

% Native Rating by Abundance (0-3): 3 **Salmonid Abundance (0-3):** 0

Total year-of-young in sample (0-3): 3 **Sculpin Abundance (0-3):** 0

* NOTE: This page presents selected data from one of R.A. Leidy's original field datasheets. Please see accompanying documentation for explanations of the data and their treatment. Species are listed in phylogenetic order.

Robert A. Leidy Fish Survey 1992-1998 SFEI Datasheet # LF124 *

SURVEY EVENT INFORMATION

Date: 7/14/97 **Time:** 1100 **SFEI Station ID:** STN0081

Location: Corte Madera Creek (Marin County), opposite Ross Post Office (Poplar Avenue), from fishway and channelized reach, upstream 30 m

Watershed: Corte Madera Creek Watershed **County:** Marin **USGS 7.5' Quad:** SAN RAFAEL

SPECIES LIST AND INDIVIDUAL LENGTHS

Species	Fork Length or Tail Length (mm)
<i>Oncorhynchus mykiss</i> (Rainbow trout)	62, 68, 150, 300
<i>Lavinia symmetricus</i> (California roach)	30, 42, 45, 48, 50, 50, 52, 52, 54
<i>Gasterosteus aculeatus</i> (Threespine stickleback)	27, 27, 29, 30, 30, 32, 33, 37, 38, 40, 42, 43, 65
<i>Cottus asper</i> (Prickly sculpin)	62
<i>Cottus gulosus</i> (Riffle sculpin)	41, 62, 90

FISH COMMUNITY STRUCTURE INDICES

Total Number of Species: 5 **% Native Fish Species:** 100%

SPECIES RATINGS (AS DEFINED BY R.A. LEIDY)

% Native Rating by Abundance (0-3): 3 **Salmonid Abundance (0-3):** 1

Total year-of-young in sample (0-3): 3 **Sculpin Abundance (0-3):** 1

* NOTE: This page presents selected data from one of R.A. Leidy's original field datasheets. Please see accompanying documentation for explanations of the data and their treatment. Species are listed in phylogenetic order.

Robert A. Leidy Fish Survey 1992-1998
SFEI Datasheet # LF125 *

SURVEY EVENT INFORMATION

Date: 7/14/97 **Time:** 1455 **SFEI Station ID:** STN0109

Location: Fairfax Creek, in Fairfax Park, large pool 20 m downstream from footbridge at school and tennis courts, Fairfax (off Park Road)

Watershed: Corte Madera Creek Watershed **County:** Marin **USGS 7.5' Quad:** SAN RAFAEL

SPECIES LIST AND INDIVIDUAL LENGTHS

Species	Fork Length or Tail Length (mm)
<i>Lavinia symmetricus</i> (California roach)	21, 22, 27, 32, 35, 47, 52, 53, 53, 53, 54, 55, 56, 56, 57, 60, 61, 67, 67, 68, 69, 70, 70, 70, 70, 70, 71, 71, 77, 83 (plus 100 observed at 25-40 mm TL)
<i>Gasterosteus aculeatus</i> (Threespine stickleback)	36, 51
<i>Cottus gulosus</i> (Riffle sculpin)	35, 36, 39, 40, 41, 42, 46, 46, 48

FISH COMMUNITY STRUCTURE INDICES

Total Number of Species: 3 **% Native Fish Species:** 100%

SPECIES RATINGS (AS DEFINED BY R.A. LEIDY)

% Native Rating by Abundance (0-3): 3 **Salmonid Abundance (0-3):** 0
Total year-of-young in sample (0-3): 3 **Sculpin Abundance (0-3):** 2

* NOTE: This page presents selected data from one of R.A. Leidy's original field datasheets. Please see accompanying documentation for explanations of the data and their treatment. Species are listed in phylogenetic order.

Robert A. Leidy Fish Survey 1992-1998

SFEI Datasheet # LF126 *

SURVEY EVENT INFORMATION

Date: 7/13/93 **Time:** 1100 **SFEI Station ID:** STN0143

Location: Miller Creek, approximately 20 m upstream from Las Gallinas Avenue bridge

Watershed: Miller Creek Watershed **County:** Marin **USGS 7.5' Quad:** NOVATO

SPECIES LIST AND INDIVIDUAL LENGTHS

Species	Fork Length or Tail Length (mm)
<i>Oncorhynchus mykiss</i> (Rainbow trout)	179
<i>Lavinia symmetricus</i> (California roach)	21, 21, 24, 25, 25, 25, 35, 47, 51, 56, 61, 66, 67, 67, 67, 68, 70, 72, 77, 95, 97
<i>Gasterosteus aculeatus</i> (Threespine stickleback)	20, 20, 20, 21, 25, 25, 30, 32, 33, 65 (plus more than 200 observed at 25-30 mm FL)
<i>Cottus asper</i> (Prickly sculpin)	No measurements taken (observed at approx. 75 mm)

FISH COMMUNITY STRUCTURE INDICES

Total Number of Species: 4 **% Native Fish Species:** 100%

SPECIES RATINGS (AS DEFINED BY R.A. LEIDY)

% Native Rating by Abundance (0-3): 3 **Salmonid Abundance (0-3):** 1

Total year-of-young in sample (0-3): 3 **Sculpin Abundance (0-3):** 1

* NOTE: This page presents selected data from one of R.A. Leidy's original field datasheets. Please see accompanying documentation for explanations of the data and their treatment. Species are listed in phylogenetic order.

Robert A. Leidy Fish Survey 1992-1998

SFEI Datasheet # LF127 *

SURVEY EVENT INFORMATION

Date: 7/13/93 **Time:** 1315 **SFEI Station ID:** STN0142

Location: Miller Creek, approximately 100 m downstream from Lucas Valley Road crossing

Watershed: Miller Creek Watershed **County:** Marin **USGS 7.5' Quad:** NOVATO

SPECIES LIST AND INDIVIDUAL LENGTHS

Species	Fork Length or Tail Length (mm)
<i>Oncorhynchus mykiss</i> (Rainbow trout)	68, 69, 69, 71, 72, 74, 77, 86, 93, 106, 115, 124, 159
<i>Lavinia symmetricus</i> (California roach)	40, 42, 45, 49, 49, 50, 50, 50, 54, 54, 55, 55, 57, 57, 57, 59, 60, 60, 61, 62, 62, 62, 65, 65, 65, 66, 66, 68, 69, 70, 71, 72, 73, 73, 79, 80, 84 (plus 6)
<i>Gasterosteus aculeatus</i> (Threespine stickleback)	30, 32, 32, 35, 38

FISH COMMUNITY STRUCTURE INDICES

Total Number of Species: 3 **% Native Fish Species:** 100%

SPECIES RATINGS (AS DEFINED BY R.A. LEIDY)

% Native Rating by Abundance (0-3): 3 **Salmonid Abundance (0-3):** 3

Total year-of-young in sample (0-3): 3 **Sculpin Abundance (0-3):** 0

* NOTE: This page presents selected data from one of R.A. Leidy's original field datasheets. Please see accompanying documentation for explanations of the data and their treatment. Species are listed in phylogenetic order.

Robert A. Leidy Fish Survey 1992-1998 SFEI Datasheet # LF128 *

SURVEY EVENT INFORMATION

Date: 7/14/93 **Time:** 1100 **SFEI Station ID:** STN0139
Location: Miller Creek, 15 m upstream from Highway 101 overpass
Watershed: Miller Creek Watershed **County:** Marin **USGS 7.5' Quad:** NOVATO

SPECIES LIST AND INDIVIDUAL LENGTHS

Species	Fork Length or Tail Length (mm)
<i>Lavinia symmetricus</i> (California roach)	25, 30, 30, 30, 31, 31, 35, 35, 36, 38, 39, 39, 40, 40, 40, 40, 41, 46, 53, 54, 55, 60, 62, 64, 65, 65, 70, 82, 97, 105, 106 (plus 500 observed within size range)
<i>Gasterosteus aculeatus</i> (Threespine stickleback)	35, 35, 35, 35, 36, 40 (plus 51 at 20-30 mm)
<i>Cottus asper</i> (Prickly sculpin)	35, 44, 45, 45

FISH COMMUNITY STRUCTURE INDICES

Total Number of Species: 3 **% Native Fish Species:** 100%

SPECIES RATINGS (AS DEFINED BY R.A. LEIDY)

% Native Rating by Abundance (0-3): 3 **Salmonid Abundance (0-3):** 0
Total year-of-young in sample (0-3): 3 **Sculpin Abundance (0-3):** 0

* NOTE: This page presents selected data from one of R.A. Leidy's original field datasheets. Please see accompanying documentation for explanations of the data and their treatment. Species are listed in phylogenetic order.

Robert A. Leidy Fish Survey 1992-1998

SFEI Datasheet # LF129 *

SURVEY EVENT INFORMATION

Date: 6/26/97 **Time:** 1353 **SFEI Station ID:** STN0144

Location: Miller Creek, at bedrock pool area immediately upstream from Highway 101 crossing

Watershed: Miller Creek Watershed **County:** Marin **USGS 7.5' Quad:** NOVATO

SPECIES LIST AND INDIVIDUAL LENGTHS

Species	Fork Length or Tail Length (mm)
<i>Oncorhynchus mykiss</i> (Rainbow trout)	170, 225
<i>Lavinia symmetricus</i> (California roach)	35, 46, 48, 48, 49, 51, 53, 54, 54, 54, 56, 56, 56, 56, 58, 58, 58, 58, 58, 60, 60, 61, 62, 62, 63, 64, 68, 75, 96
<i>Gasterosteus aculeatus</i> (Threespine stickleback)	27, 31, 32, 32, 32, 32, 34, 34, 35, 36, 37
<i>Cottus gulosus</i> (Riffle sculpin)	41, 48

FISH COMMUNITY STRUCTURE INDICES

Total Number of Species: 4 **% Native Fish Species:** 100%

SPECIES RATINGS (AS DEFINED BY R.A. LEIDY)

% Native Rating by Abundance (0-3): 3 **Salmonid Abundance (0-3):** 1

Total year-of-young in sample (0-3): 3 **Sculpin Abundance (0-3):** 1

* NOTE: This page presents selected data from one of R.A. Leidy's original field datasheets. Please see accompanying documentation for explanations of the data and their treatment. Species are listed in phylogenetic order.

Robert A. Leidy Fish Survey 1992-1998

SFEI Datasheet # LF130 *

SURVEY EVENT INFORMATION

Date: 7/3/97 **Time:** 1300 **SFEI Station ID:** STN0141
Location: Miller Creek, 50 m upstream from Lucas Valley Road crossing
Watershed: Miller Creek Watershed **County:** Marin **USGS 7.5' Quad:** NOVATO

SPECIES LIST AND INDIVIDUAL LENGTHS

Species	Fork Length or Tail Length (mm)
<i>Oncorhynchus mykiss</i> (Rainbow trout)	63, 148, 253, 254
<i>Lavinia symmetricus</i> (California roach)	43, 44, 47, 48, 48, 48, 49, 49, 57, 59, 62, 62, 64, 64, 66, 67, 68, 68, 68, 68, 71, 72, 73, 74, 76, 76, 76, 78, 90, 100 (plus 100 observed)
<i>Gasterosteus aculeatus</i> (Threespine stickleback)	23, 24, 24, 27, 28, 29, 30, 34

FISH COMMUNITY STRUCTURE INDICES

Total Number of Species: 3 **% Native Fish Species:** 100%

SPECIES RATINGS (AS DEFINED BY R.A. LEIDY)

% Native Rating by Abundance (0-3): 3 **Salmonid Abundance (0-3):** 2

Total year-of-young in sample (0-3): 1 **Sculpin Abundance (0-3):** 0

* NOTE: This page presents selected data from one of R.A. Leidy's original field datasheets. Please see accompanying documentation for explanations of the data and their treatment. Species are listed in phylogenetic order.

Robert A. Leidy Fish Survey 1992-1998

SFEI Datasheet # LF131 *

SURVEY EVENT INFORMATION

Date: 7/8/97 **Time:** 1030 **SFEI Station ID:** STN0140
Location: Miller Creek, 30 m downstream from Mt. Shasta Drive bridge, behind elementary school
Watershed: Miller Creek Watershed **County:** Marin **USGS 7.5' Quad:** NOVATO

SPECIES LIST AND INDIVIDUAL LENGTHS

Species	Fork Length or Tail Length (mm)
<i>Oncorhynchus mykiss</i> (Rainbow trout)	50, 52, 52, 58, 60, 60, 61, 62, 65, 68, 68, 72, 75, 80, 80
<i>Lavinia symmetricus</i> (California roach)	20
<i>Gasterosteus aculeatus</i> (Threespine stickleback)	22, 27, 29, 30, 30, 30, 30, 31, 31, 32, 34, 35, 35, 35, 40, 40, 48 (plus 20 observed within size range)

FISH COMMUNITY STRUCTURE INDICES

Total Number of Species: 3 **% Native Fish Species:** 100%

SPECIES RATINGS (AS DEFINED BY R.A. LEIDY)

% Native Rating by Abundance (0-3): 3 **Salmonid Abundance (0-3):** 2

Total year-of-young in sample (0-3): 3 **Sculpin Abundance (0-3):** 0

* NOTE: This page presents selected data from one of R.A. Leidy's original field datasheets. Please see accompanying documentation for explanations of the data and their treatment. Species are listed in phylogenetic order.

Robert A. Leidy Fish Survey 1992-1998

SFEI Datasheet # LF132 *

SURVEY EVENT INFORMATION

Date: 7/8/97

Time: 1130

SFEI Station ID: STN0145

Location: Miller Creek, in Marinwood Park, 20 m downstream from maintenance buildings off Miller Creek Road

Watershed: Miller Creek Watershed

County: Marin

USGS 7.5' Quad: NOVATO

SPECIES LIST AND INDIVIDUAL LENGTHS

Species	Fork Length or Tail Length (mm)
<i>Oncorhynchus mykiss</i> (<i>Rainbow trout</i>)	126, 130, 150
<i>Lavinia symmetricus</i> (<i>California roach</i>)	42, 46, 47, 50, 50, 50, 51, 53, 55, 55, 57, 58, 58, 60, 62, 62, 62, 63, 66, 66, 66, 68, 70, 72, 72, 82, 83, 84, 88, 105 (plus 50 observed within size range)
<i>Gasterosteus aculeatus</i> (<i>Threespine stickleback</i>)	30, 30, 31, 31, 31, 31, 32, 33, 34, 39

FISH COMMUNITY STRUCTURE INDICES

Total Number of Species: 3 **% Native Fish Species:** 100%

SPECIES RATINGS (AS DEFINED BY R.A. LEIDY)

% Native Rating by Abundance (0-3): 3 **Salmonid Abundance (0-3):** 1

Total year-of-young in sample (0-3): 2 **Sculpin Abundance (0-3):** 0

* NOTE: This page presents selected data from one of R.A. Leidy's original field datasheets. Please see accompanying documentation for explanations of the data and their treatment. Species are listed in phylogenetic order.

Robert A. Leidy Fish Survey 1992-1998

SFEI Datasheet # LF133 *

SURVEY EVENT INFORMATION

Date: 6/26/97

Time: 1000

SFEI Station ID: STN0172

Location: Novato Creek, at upper end of tidal influence, downstream from crossing downstream of Diablo Avenue, 20 m downstream from Burger King

Watershed: Novato Creek Watershed

County: Marin

USGS 7.5' Quad: NOVATO

SPECIES LIST AND INDIVIDUAL LENGTHS

Species	Fork Length or Tail Length (mm)
<i>Lucania parva</i> (Rainwater killifish)	24, 35
<i>Gasterosteus aculeatus</i> (Threespine stickleback)	22, 22, 23, 24, 25, 25, 26, 27, 27, 29, 30, 30, 30, 31, 31, 31, 32, 32, 32, 32, 32, 33, 33, 34, 36, 42, 52, 52, 55, 66 (plus 50 within size range)
<i>Cottus asper</i> (Prickly sculpin)	45, 52, 69

FISH COMMUNITY STRUCTURE INDICES

Total Number of Species: 3 **% Native Fish Species:** 67%

SPECIES RATINGS (AS DEFINED BY R.A. LEIDY)

% Native Rating by Abundance (0-3): 3 **Salmonid Abundance (0-3):** 0

Total year-of-young in sample (0-3): 3 **Sculpin Abundance (0-3):** 1

* NOTE: This page presents selected data from one of R.A. Leidy's original field datasheets. Please see accompanying documentation for explanations of the data and their treatment. Species are listed in phylogenetic order.

Robert A. Leidy Fish Survey 1992-1998 SFEI Datasheet # LF134 *

SURVEY EVENT INFORMATION

Date: 6/26/97 **Time:** 1200 **SFEI Station ID:** STN0167
Location: Novato Creek, 30 m downstream from Diablo Avenue bridge crossing
Watershed: Novato Creek Watershed **County:** Marin **USGS 7.5' Quad:** NOVATO

SPECIES LIST AND INDIVIDUAL LENGTHS

Species	Fork Length or Tail Length (mm)
<i>Oncorhynchus mykiss</i> (Rainbow trout)	195
<i>Lavinia symmetricus</i> (California roach)	57, 65, 72, 74
<i>Catostomus occidentalis</i> (Sacramento sucker)	100, 106
<i>Gasterosteus aculeatus</i> (Threespine stickleback)	26, 27, 30, 30, 30, 30, 30, 31, 31, 31, 32, 32, 32, 33, 33, 35, 36, 36, 36, 37, 37, 37, 38, 38, 38, 41, 42, 42, 45, 46 (plus 100 observed within size range)

FISH COMMUNITY STRUCTURE INDICES

Total Number of Species: 4 **% Native Fish Species:** 100%

SPECIES RATINGS (AS DEFINED BY R.A. LEIDY)

% Native Rating by Abundance (0-3): 3 **Salmonid Abundance (0-3):** 1
Total year-of-young in sample (0-3): 2 **Sculpin Abundance (0-3):** 0

* NOTE: This page presents selected data from one of R.A. Leidy's original field datasheets. Please see accompanying documentation for explanations of the data and their treatment. Species are listed in phylogenetic order.

Robert A. Leidy Fish Survey 1992-1998

SFEI Datasheet # LF135 *

SURVEY EVENT INFORMATION

Date: 6/27/97 **Time:** 0915 **SFEI Station ID:** STN0168

Location: Novato Creek, 50 m section downstream from water treatment plant outfall below Stafford Dam

Watershed: Novato Creek Watershed **County:** Marin **USGS 7.5' Quad:** SAN GERONIMO

SPECIES LIST AND INDIVIDUAL LENGTHS

Species	Fork Length or Tail Length (mm)
<i>Lavinia symmetricus</i> (California roach)	44, 65
<i>Catostomus occidentalis</i> (Sacramento sucker)	74, 120
<i>Gasterosteus aculeatus</i> (Threespine stickleback)	31, 32, 32, 33, 33, 35, 36, 38, 38, 38, 39, 39, 40, 40, 40, 40, 40, 40, 40, 41, 41, 41, 41, 41, 43, 44, 44, 45, 45, 46, 46, 56
<i>Lepomis cyanellus</i> (Green sunfish)	155, 160

FISH COMMUNITY STRUCTURE INDICES

Total Number of Species: 4 **% Native Fish Species:** 75%

SPECIES RATINGS (AS DEFINED BY R.A. LEIDY)

% Native Rating by Abundance (0-3): 3 **Salmonid Abundance (0-3):** 0

Total year-of-young in sample (0-3): 2 **Sculpin Abundance (0-3):** 0

* NOTE: This page presents selected data from one of R.A. Leidy's original field datasheets. Please see accompanying documentation for explanations of the data and their treatment. Species are listed in phylogenetic order.

Robert A. Leidy Fish Survey 1992-1998 SFEI Datasheet # LF136 *

SURVEY EVENT INFORMATION

Date: 6/27/97 **Time:** 1053 **SFEI Station ID:** STN0169
Location: Novato Creek, above Stafford Dam, 100 m from gravel road crossing at upper picnic area
Watershed: Novato Creek Watershed **County:** Marin **USGS 7.5' Quad:** SAN GERONIMO

SPECIES LIST AND INDIVIDUAL LENGTHS

Species	Fork Length or Tail Length (mm)
<i>Gasterosteus aculeatus</i> (Threespine stickleback)	18, 20, 21, 26, 30, 31, 32, 33, 34, 34, 35, 35, 36, 36, 37, 37, 40, 40, 40, 41, 41, 42, 42, 42, 47, 47, 52, 52, 53, 57

FISH COMMUNITY STRUCTURE INDICES

Total Number of Species: 1 **% Native Fish Species:** 100%

SPECIES RATINGS (AS DEFINED BY R.A. LEIDY)

% Native Rating by Abundance (0-3): 3 **Salmonid Abundance (0-3):** 0
Total year-of-young in sample (0-3): 0 **Sculpin Abundance (0-3):** 0

* NOTE: This page presents selected data from one of R.A. Leidy's original field datasheets. Please see accompanying documentation for explanations of the data and their treatment. Species are listed in phylogenetic order.

Robert A. Leidy Fish Survey 1992-1998 SFEI Datasheet # LF137 *

SURVEY EVENT INFORMATION

Date: 6/27/97 **Time:** 1218 **SFEI Station ID:** STN0170

Location: Novato Creek, approximately 1.6 km downstream of Stafford Lake Dam at bike trail turnout along Hicks Valley Road (lowermost pool)

Watershed: Novato Creek Watershed **County:** Marin **USGS 7.5' Quad:** SAN GERONIMO

SPECIES LIST AND INDIVIDUAL LENGTHS

Species	Fork Length or Tail Length (mm)
<i>Oncorhynchus mykiss</i> (Rainbow trout)	90, 130
<i>Lavinia symmetricus</i> (California roach)	85, 100, 105
<i>Catostomus occidentalis</i> (Sacramento sucker)	75, 185, 205, 210
<i>Gasterosteus aculeatus</i> (Threespine stickleback)	29, 33, 38, 39

FISH COMMUNITY STRUCTURE INDICES

Total Number of Species: 4 **% Native Fish Species:** 100%

SPECIES RATINGS (AS DEFINED BY R.A. LEIDY)

% Native Rating by Abundance (0-3): 3	Salmonid Abundance (0-3): 1
Total year-of-young in sample (0-3): 1	Sculpin Abundance (0-3): 0

* NOTE: This page presents selected data from one of R.A. Leidy's original field datasheets. Please see accompanying documentation for explanations of the data and their treatment. Species are listed in phylogenetic order.

Robert A. Leidy Fish Survey 1992-1998 SFEI Datasheet # LF138 *

SURVEY EVENT INFORMATION

Date: 6/27/97 **Time:** 1243 **SFEI Station ID:** STN0171

Location: Novato Creek, approximately 1.6 km downstream of Stafford Lake Dam at bike trail turnout along Hicks Valley Road (riffle-pool reach upstream of lowermost pool)

Watershed: Novato Creek Watershed **County:** Marin **USGS 7.5' Quad:** SAN GERONIMO

SPECIES LIST AND INDIVIDUAL LENGTHS

Species	Fork Length or Tail Length (mm)
<i>Oncorhynchus mykiss</i> (Rainbow trout)	55, 59, 60, 65
<i>Lavinia symmetricus</i> (California roach)	40, 43, 49, 50, 51, 53, 53, 55, 56, 60, 61, 62, 69, 70, 70, 71, 72, 80
<i>Catostomus occidentalis</i> (Sacramento sucker)	85, 100
<i>Gasterosteus aculeatus</i> (Threespine stickleback)	25, 25, 27, 27, 28, 29, 30, 30, 31, 31, 32, 33, 36, 41, 42, 43, 52 (plus 10 observed within size range)

FISH COMMUNITY STRUCTURE INDICES

Total Number of Species: 4 **% Native Fish Species:** 100%

SPECIES RATINGS (AS DEFINED BY R.A. LEIDY)

% Native Rating by Abundance (0-3): 3 **Salmonid Abundance (0-3):** 1

Total year-of-young in sample (0-3): 1 **Sculpin Abundance (0-3):** 0

* NOTE: This page presents selected data from one of R.A. Leidy's original field datasheets. Please see accompanying documentation for explanations of the data and their treatment. Species are listed in phylogenetic order.

Robert A. Leidy Fish Survey 1992-1998

SFEI Datasheet # LF139 *

SURVEY EVENT INFORMATION

Date: 7/3/97 Time: 1100 SFEI Station ID: STN0173
Location: Novato Creek, from Hicks Valley Road bridge at Miwok Park, upstream 30 m
Watershed: Novato Creek Watershed County: Marin USGS 7.5' Quad: NOVATO

SPECIES LIST AND INDIVIDUAL LENGTHS

Species	Fork Length or Tail Length (mm)
<i>Oncorhynchus mykiss</i> (Rainbow trout)	48, 52, 55, 62, 70, 70, 72, 76, 76, 79, 88, 152
<i>Lavinia symmetricus</i> (California roach)	55, 56, 60, 66, 72, 75, 80
<i>Catostomus occidentalis</i> (Sacramento sucker)	32, 35, 36, 36, 160, 175
<i>Gasterosteus aculeatus</i> (Threespine stickleback)	18, 20, 20, 21, 23, 25, 26, 26, 26, 26, 27, 29, 30, 30, 30, 31, 32, 32, 32, 32, 33, 35, 36, 37, 37, 39, 40, 42, 42, 52 (plus 50 within size range)

FISH COMMUNITY STRUCTURE INDICES

Total Number of Species: 4 % Native Fish Species: 100%

SPECIES RATINGS (AS DEFINED BY R.A. LEIDY)

% Native Rating by Abundance (0-3): 3 Salmonid Abundance (0-3): 2
Total year-of-young in sample (0-3): 3 Sculpin Abundance (0-3): 0

* NOTE: This page presents selected data from one of R.A. Leidy's original field datasheets. Please see accompanying documentation for explanations of the data and their treatment. Species are listed in phylogenetic order.

Robert A. Leidy Fish Survey 1992-1998

SFEI Datasheet # LF140 *

SURVEY EVENT INFORMATION

Date: 7/19/97 **Time:** 1040 **SFEI Station ID:** STN0174

Location: Old Mill Creek, approximately 0.8 km downstream from Cascade Dam (right branch), immediately adjacent to Cascade Drive

Watershed: Arroyo Corte Madera del Presidio Creek Watershed **County:** Marin **USGS 7.5' Quad:** SAN RAFAEL

SPECIES LIST AND INDIVIDUAL LENGTHS

Species	Fork Length or Tail Length (mm)
<i>Oncorhynchus mykiss</i> (Rainbow trout)	47, 48, 49, 55, 57, 57, 60, 61, 68, 69, 70

FISH COMMUNITY STRUCTURE INDICES

Total Number of Species: 1 **% Native Fish Species:** 100%

SPECIES RATINGS (AS DEFINED BY R.A. LEIDY)

% Native Rating by Abundance (0-3): 3 **Salmonid Abundance (0-3):** 1

Total year-of-young in sample (0-3): 1 **Sculpin Abundance (0-3):** 0

* NOTE: This page presents selected data from one of R.A. Leidy's original field datasheets. Please see accompanying documentation for explanations of the data and their treatment. Species are listed in phylogenetic order.

Robert A. Leidy Fish Survey 1992-1998 SFEI Datasheet # LF141 *

SURVEY EVENT INFORMATION

Date: 7/14/97 **Time:** 1230 **SFEI Station ID:** STN0192
Location: Ross Creek, approximately 50 m downstream from Phoenix Park parking lot, below Phoenix Lake
Watershed: Corte Madera Creek Watershed **County:** Marin **USGS 7.5' Quad:** SAN RAFAEL

SPECIES LIST AND INDIVIDUAL LENGTHS

Species	Fork Length or Tail Length (mm)
<i>Oncorhynchus mykiss</i> (Rainbow trout)	67, 70, 75, 78, 160, 172, 180
<i>Gasterosteus aculeatus</i> (Threespine stickleback)	No measurements taken

FISH COMMUNITY STRUCTURE INDICES

Total Number of Species: 2 **% Native Fish Species:** 100%

SPECIES RATINGS (AS DEFINED BY R.A. LEIDY)

% Native Rating by Abundance (0-3): 1 **Salmonid Abundance (0-3):** 2
Total year-of-young in sample (0-3): 1 **Sculpin Abundance (0-3):** 0

* NOTE: This page presents selected data from one of R.A. Leidy's original field datasheets. Please see accompanying documentation for explanations of the data and their treatment. Species are listed in phylogenetic order.

Robert A. Leidy Fish Survey 1992-1998

SFEI Datasheet # LF142 *

SURVEY EVENT INFORMATION

Date: 7/8/97 **Time:** 1430 **SFEI Station ID:** STN0194
Location: San Anselmo Creek, at old concrete diversion dam at end of Pacheco Avenue, Fairfax
Watershed: Corte Madera Creek **County:** Marin **USGS 7.5' Quad:** SAN RAFAEL
 Watershed

SPECIES LIST AND INDIVIDUAL LENGTHS

Species	Fork Length or Tail Length (mm)
<i>Oncorhynchus mykiss</i> (Rainbow trout)	73, 83, 92, 140
<i>Lavinia symmetricus</i> (California roach)	12, 13, 16, 17, 51, 52, 53, 60, 63, 70, 72, 85, 86, 88, 90, 96, 100, 105, 110, 113, 116, 118, 120
<i>Gasterosteus aculeatus</i> (Threespine stickleback)	26, 28, 31, 38, 40, 42 (plus 50 within size range)
<i>Cottus gulosus</i> (Riffle sculpin)	52, 54, 55, 56, 56, 57, 58, 60, 60, 60, 61, 62, 62, 63, 64, 65, 65, 66, 70, 75, 78, 79, 80, 80, 83, 90, 101, 107, 110, 116 (plus 100 collected within size range)

FISH COMMUNITY STRUCTURE INDICES

Total Number of Species: 4 **% Native Fish Species:** 100%

SPECIES RATINGS (AS DEFINED BY R.A. LEIDY)

% Native Rating by Abundance (0-3): 3 **Salmonid Abundance (0-3):** 1

Total year-of-young in sample (0-3): 3 **Sculpin Abundance (0-3):** 3

* NOTE: This page presents selected data from one of R.A. Leidy's original field datasheets. Please see accompanying documentation for explanations of the data and their treatment. Species are listed in phylogenetic order.

Robert A. Leidy Fish Survey 1992-1998 SFEI Datasheet # LF143 *

SURVEY EVENT INFORMATION

Date: 7/18/97 **Time:** 1400 **SFEI Station ID:** STN0261
Location: Warner Canyon Creek, at Boyle Park off East Blithedale Road and Elm Boulevard
Watershed: Arroyo Corte Madera del Presidio Creek Watershed **County:** Marin **USGS 7.5' Quad:** SAN RAFAEL

SPECIES LIST AND INDIVIDUAL LENGTHS

Species	Fork Length or Tail Length (mm)
<i>Gasterosteus aculeatus</i> (<i>Threespine stickleback</i>)	No measurements taken (100 observed at 20-55 mm TL)

FISH COMMUNITY STRUCTURE INDICES

Total Number of Species: 1 **% Native Fish Species:** 100%

SPECIES RATINGS (AS DEFINED BY R.A. LEIDY)

% Native Rating by Abundance (0-3): 3	Salmonid Abundance (0-3): 0
Total year-of-young in sample (0-3): 2	Sculpin Abundance (0-3): 0

* NOTE: This page presents selected data from one of R.A. Leidy's original field datasheets. Please see accompanying documentation for explanations of the data and their treatment. Species are listed in phylogenetic order.

Robert A. Leidy Fish Survey 1992-1998 SFEI Datasheet # LF144 *

SURVEY EVENT INFORMATION

Date: 6/6/97	Time: 1130	SFEI Station ID: STN0245
Location: Unnamed Tributary to Alameda del Prado Drainage, off Highway 101, adjacent to Marin Valley Drive, approximately 0.4 km upstream from Meadow Park School		
Watershed: Alameda del Prado Creek Watershed	County: Marin	USGS 7.5' Quad: NOVATO

SPECIES LIST AND INDIVIDUAL LENGTHS

Species	Fork Length or Tail Length (mm)
<i>Gasterosteus aculeatus</i> (<i>Threespine stickleback</i>)	17, 18, 20, 21, 21, 21, 22, 22, 23, 26, 26, 27, 27, 27, 27, 28, 28, 31, 32, 33, 33, 34, 37, 38, 40, 42, 45, 45, 46, 48 (plus 100 observed within size range)

FISH COMMUNITY STRUCTURE INDICES

Total Number of Species: 1 **% Native Fish Species:** 100%

SPECIES RATINGS (AS DEFINED BY R.A. LEIDY)

% Native Rating by Abundance (0-3): 2	Salmonid Abundance (0-3): 0
Total year-of-young in sample (0-3): 2	Sculpin Abundance (0-3): 0

* NOTE: This page presents selected data from one of R.A. Leidy's original field datasheets. Please see accompanying documentation for explanations of the data and their treatment. Species are listed in phylogenetic order.

Robert A. Leidy Fish Survey 1992-1998

SFEI Datasheet # LF145 *

SURVEY EVENT INFORMATION

Date: 7/15/94 **Time:** 1045 **SFEI Station ID:** STN0242
Location: Third Napa Slough, from China Slough, downstream 5 minutes to a point 100 m past Camp Four
Watershed: Napa River Area (Bayland Segment D) **County:** Sonoma **USGS 7.5' Quad:** SEARS POINT

SPECIES LIST AND INDIVIDUAL LENGTHS

Species	Fork Length or Tail Length (mm)
<i>Morone saxatilis</i> (Striped bass)	45, 54, 74
<i>Acanthogobius flavimanus</i> (Yellowfin goby)	75, 165

FISH COMMUNITY STRUCTURE INDICES

Total Number of Species: 2 **% Native Fish Species:** 0%

SPECIES RATINGS (AS DEFINED BY R.A. LEIDY)

% Native Rating by Abundance (0-3): 0 **Salmonid Abundance (0-3):** 0

Total year-of-young in sample (0-3): 0 **Sculpin Abundance (0-3):** 0

* NOTE: This page presents selected data from one of R.A. Leidy's original field datasheets. Please see accompanying documentation for explanations of the data and their treatment. Species are listed in phylogenetic order.

Robert A. Leidy Fish Survey 1992-1998
SFEI Datasheet # LF148 *

SURVEY EVENT INFORMATION

Date: 7/16/97 **Time:** 1400 **SFEI Station ID:** STN0103
Location: Cyrus Canyon Creek, pool immediately below dam at old water supply reservoir for Calistoga
Watershed: Napa River Watershed **County:** Napa **USGS 7.5' Quad:** CALISTOGA

SPECIES LIST AND INDIVIDUAL LENGTHS

Species	Fork Length or Tail Length (mm)
<i>Oncorhynchus mykiss</i> (Rainbow trout)	111, 122, 125, 135, 141, 158, 195
<i>Lavinia symmetricus</i> (California roach)	30, 30, 68, 72, 77, 80, 80, 80, 81, 82, 82, 83, 84, 85, 89, 90, 95, 95, 96

FISH COMMUNITY STRUCTURE INDICES

Total Number of Species: 2 **% Native Fish Species:** 100%

SPECIES RATINGS (AS DEFINED BY R.A. LEIDY)

% Native Rating by Abundance (0-3): 3 **Salmonid Abundance (0-3):** 2
Total year-of-young in sample (0-3): 1 **Sculpin Abundance (0-3):** 0

* NOTE: This page presents selected data from one of R.A. Leidy's original field datasheets. Please see accompanying documentation for explanations of the data and their treatment. Species are listed in phylogenetic order.

Robert A. Leidy Fish Survey 1992-1998

SFEI Datasheet # LF149 *

SURVEY EVENT INFORMATION

Date: 8/5/97 **Time:** 1200 **SFEI Station ID:** STN0102
Location: Cyrus Canyon Creek, approximately 0.3 km upstream from pond on Harry Clarke property
Watershed: Napa River Watershed **County:** Napa **USGS 7.5' Quad:** CALISTOGA

SPECIES LIST AND INDIVIDUAL LENGTHS

Species	Fork Length or Tail Length (mm)
<i>Oncorhynchus mykiss</i> (Rainbow trout)	47, 49, 56, 67, 144, 147, 172, 178, 180, 250

FISH COMMUNITY STRUCTURE INDICES

Total Number of Species: 1 **% Native Fish Species:** 100%

SPECIES RATINGS (AS DEFINED BY R.A. LEIDY)

% Native Rating by Abundance (0-3): 2 **Salmonid Abundance (0-3):** 2
Total year-of-young in sample (0-3): 2 **Sculpin Abundance (0-3):** 0

* NOTE: This page presents selected data from one of R.A. Leidy's original field datasheets. Please see accompanying documentation for explanations of the data and their treatment. Species are listed in phylogenetic order.

Robert A. Leidy Fish Survey 1992-1998
SFEI Datasheet # LF150 *

SURVEY EVENT INFORMATION

Date: 6/26/96 **Time:** 1145 **SFEI Station ID:** STN0108

Location: Dry Creek, opposite fire station at intersection of Oakville Grade and Dry Creek Road

Watershed: Napa River Watershed **County:** Napa **USGS 7.5' Quad:** RUTHERFORD

SPECIES LIST AND INDIVIDUAL LENGTHS

Species	Fork Length or Tail Length (mm)
<i>Oncorhynchus mykiss</i> (Rainbow trout)	49, 58, 58, 61, 65, 69, 71, 75, 75, 78, 78, 80, 83, 92, 170, 210
<i>Lavinia symmetricus</i> (California roach)	62
<i>Cottus gulosus</i> (Riffle sculpin)	115

FISH COMMUNITY STRUCTURE INDICES

Total Number of Species: 3 **% Native Fish Species:** 100%

SPECIES RATINGS (AS DEFINED BY R.A. LEIDY)

% Native Rating by Abundance (0-3): 3 **Salmonid Abundance (0-3):** 2

Total year-of-young in sample (0-3): 3 **Sculpin Abundance (0-3):** 1

* NOTE: This page presents selected data from one of R.A. Leidy's original field datasheets. Please see accompanying documentation for explanations of the data and their treatment. Species are listed in phylogenetic order.

Robert A. Leidy Fish Survey 1992-1998
SFEI Datasheet # LF151 *

SURVEY EVENT INFORMATION

Date: 6/26/96	Time: 1430	SFEI Station ID: STN0107
Location: Dry Creek, immediately upstream from Highway 29 Frontage Road		
Watershed: Napa River Watershed	County: Napa	USGS 7.5' Quad: NAPA

SPECIES LIST AND INDIVIDUAL LENGTHS

Species	Fork Length or Tail Length (mm)
<i>Oncorhynchus mykiss</i> (Rainbow trout)	110, 115, 205, 210
<i>Lavinia symmetricus</i> (California roach)	31, 58, 60, 62, 62, 62, 64, 66, 68, 72, 75, 75, 78, 79, 80, 80, 81, 82, 85, 91, 99, 118 (plus approx. 100 observed within size range)
<i>Catostomus occidentalis</i> (Sacramento sucker)	30, 33, 38, 48, 50, 50, 52, 55, 57, 62 (plus approx. 50 observed within size range)
<i>Gasterosteus aculeatus</i> (Threespine stickleback)	31, 34, 40

FISH COMMUNITY STRUCTURE INDICES

Total Number of Species: 4 **% Native Fish Species:** 100%

SPECIES RATINGS (AS DEFINED BY R.A. LEIDY)

% Native Rating by Abundance (0-3): 3 **Salmonid Abundance (0-3):** 2

Total year-of-young in sample (0-3): 3 **Sculpin Abundance (0-3):** 1

* NOTE: This page presents selected data from one of R.A. Leidy's original field datasheets. Please see accompanying documentation for explanations of the data and their treatment. Species are listed in phylogenetic order.

Robert A. Leidy Fish Survey 1992-1998
SFEI Datasheet # LF152 *

SURVEY EVENT INFORMATION

Date: 8/5/97 **Time:** 1445 **SFEI Station ID:** STN0105

Location: Dry Creek, approximately 0.5 km upstream from lower one lane bridge on Dry Creek Road (Ruby Beckford's property)

Watershed: Napa River Watershed **County:** Napa **USGS 7.5' Quad:** RUTHERFORD

SPECIES LIST AND INDIVIDUAL LENGTHS

Species	Fork Length or Tail Length (mm)
<i>Oncorhynchus mykiss</i> (Rainbow trout)	140, 147
<i>Lavinia symmetricus</i> (California roach)	52, 54, 56, 62, 62, 65, 66, 66, 66, 66, 67, 67, 68, 68, 68, 68, 69, 70, 70, 71, 72, 72, 72, 74, 76, 78, 80, 82, 83, 85 (plus 10 within size range)
<i>Cottus gulosus</i> (Riffle sculpin)	91, 91, 105

FISH COMMUNITY STRUCTURE INDICES

Total Number of Species: 3 **% Native Fish Species:** 100%

SPECIES RATINGS (AS DEFINED BY R.A. LEIDY)

% Native Rating by Abundance (0-3): 3 **Salmonid Abundance (0-3):** 2

Total year-of-young in sample (0-3): 1 **Sculpin Abundance (0-3):** 1

* NOTE: This page presents selected data from one of R.A. Leidy's original field datasheets. Please see accompanying documentation for explanations of the data and their treatment. Species are listed in phylogenetic order.

Robert A. Leidy Fish Survey 1992-1998 SFEI Datasheet # LF153 *

SURVEY EVENT INFORMATION

Date: 8/5/97

Time: 1500

SFEI Station ID: STN0106

Location: Dry Creek, approximately 100 m upstream from STN0105 (LeidyStn#1) on Ruby Brickford's property (approximately 0.5 km upstream from lower one lane bridge on Dry Creek Road)

Watershed: Napa River Watershed

County: Napa

USGS 7.5' Quad: RUTHERFORD

SPECIES LIST AND INDIVIDUAL LENGTHS

Species	Fork Length or Tail Length (mm)
<i>Oncorhynchus mykiss</i> (Rainbow trout)	125, 128, 138, 140, 142
<i>Lavinia symmetricus</i> (California roach)	52, 52, 52, 59, 59, 62, 62, 62, 62, 72, 72, 73, 75, 76, 77, 77, 78, 78, 100
<i>Catostomus occidentalis</i> (Sacramento sucker)	202, 218
<i>Cottus gulosus</i> (Riffle sculpin)	46, 105, 120, 120

FISH COMMUNITY STRUCTURE INDICES

Total Number of Species: 4 **% Native Fish Species:** 100%

SPECIES RATINGS (AS DEFINED BY R.A. LEIDY)

% Native Rating by Abundance (0-3): 3 **Salmonid Abundance (0-3):** 3

Total year-of-young in sample (0-3): 3 **Sculpin Abundance (0-3):** 2

* NOTE: This page presents selected data from one of R.A. Leidy's original field datasheets. Please see accompanying documentation for explanations of the data and their treatment. Species are listed in phylogenetic order.

Robert A. Leidy Fish Survey 1992-1998

SFEI Datasheet # LF154 *

SURVEY EVENT INFORMATION

Date: 6/26/96 **Time:** 1300 **SFEI Station ID:** STN0246

Location: Unnamed Tributary to Dry Creek, immediately upstream of Oakville Grade Road opposite fire station

Watershed: Napa River Watershed **County:** Napa **USGS 7.5' Quad:** RUTHERFORD

SPECIES LIST AND INDIVIDUAL LENGTHS

Species	Fork Length or Tail Length (mm)
<i>Oncorhynchus mykiss</i> (Rainbow trout)	41, 41, 48, 52, 56, 59, 59, 60, 61, 62, 68, 72, 72, 73, 73

FISH COMMUNITY STRUCTURE INDICES

Total Number of Species: 1 **% Native Fish Species:** 100%

SPECIES RATINGS (AS DEFINED BY R.A. LEIDY)

% Native Rating by Abundance (0-3): 3 **Salmonid Abundance (0-3):** 1

Total year-of-young in sample (0-3): 2 **Sculpin Abundance (0-3):** 0

* NOTE: This page presents selected data from one of R.A. Leidy's original field datasheets. Please see accompanying documentation for explanations of the data and their treatment. Species are listed in phylogenetic order.

Robert A. Leidy Fish Survey 1992-1998

SFEI Datasheet # LF155 *

SURVEY EVENT INFORMATION

Date: 7/15/94 **Time:** 0930 **SFEI Station ID:** STN0217

Location: Second Napa Slough, from Skaggs Island Station, upstream 5 minutes to point approximately 100 m past Rainbow Slough

Watershed: Napa River Area (Bayland Segment D) **County:** Sonoma **USGS 7.5' Quad:** SEARS POINT

SPECIES LIST AND INDIVIDUAL LENGTHS

Species	Fork Length or Tail Length (mm)
<i>Acanthogobius flavimanus</i> (Yellowfin goby)	51, 90, 123, 166

FISH COMMUNITY STRUCTURE INDICES

Total Number of Species: 1 **% Native Fish Species:** 0%

SPECIES RATINGS (AS DEFINED BY R.A. LEIDY)

% Native Rating by Abundance (0-3): 0 **Salmonid Abundance (0-3):** 0

Total year-of-young in sample (0-3): 0 **Sculpin Abundance (0-3):** 0

* NOTE: This page presents selected data from one of R.A. Leidy's original field datasheets. Please see accompanying documentation for explanations of the data and their treatment. Species are listed in phylogenetic order.

Robert A. Leidy Fish Survey 1992-1998 SFEI Datasheet # LF156 *

SURVEY EVENT INFORMATION

Date: 7/16/97 **Time:** 1330 **SFEI Station ID:** STN0127
Location: Kimball Canyon Creek, approximately 0.3 km upstream of Kimball Reservoir
Watershed: Napa River Watershed **County:** Napa **USGS 7.5' Quad:** DETERT RESERVOIR

SPECIES LIST AND INDIVIDUAL LENGTHS

Species	Fork Length or Tail Length (mm)
<i>Oncorhynchus mykiss</i> (Rainbow trout)	50, 68, 86, 105, 120, 120, 142, 152, 185, 190, 190, 242
<i>Cottus gulosus</i> (Riffle sculpin)	62, 67, 85, 86

FISH COMMUNITY STRUCTURE INDICES

Total Number of Species: 2 **% Native Fish Species:** 100%

SPECIES RATINGS (AS DEFINED BY R.A. LEIDY)

% Native Rating by Abundance (0-3): 2	Salmonid Abundance (0-3): 2
Total year-of-young in sample (0-3): 1	Sculpin Abundance (0-3): 2

* NOTE: This page presents selected data from one of R.A. Leidy's original field datasheets. Please see accompanying documentation for explanations of the data and their treatment. Species are listed in phylogenetic order.

Robert A. Leidy Fish Survey 1992-1998
SFEI Datasheet # LF157 *

SURVEY EVENT INFORMATION

Date: 7/16/97 **Time:** 1500 **SFEI Station ID:** STN0128
Location: Kimball Canyon Creek, at pool downstream from fall
Watershed: Napa River Watershed **County:** Napa **USGS 7.5' Quad:** DETERT RESERVOIR

SPECIES LIST AND INDIVIDUAL LENGTHS

Species	Fork Length or Tail Length (mm)
<i>Lavinia symmetricus</i> (California roach)	80
<i>Lepomis macrochirus</i> (Bluegill)	78
<i>Lepomis cyanellus</i> (Green sunfish)	67, 67, 68, 70
<i>Micropterus salmoides</i> (Largemouth bass)	56

FISH COMMUNITY STRUCTURE INDICES

Total Number of Species: 4 **% Native Fish Species:** 25%

SPECIES RATINGS (AS DEFINED BY R.A. LEIDY)

% Native Rating by Abundance (0-3): 1 **Salmonid Abundance (0-3):** 0

Total year-of-young in sample (0-3): 2 **Sculpin Abundance (0-3):** 0

* NOTE: This page presents selected data from one of R.A. Leidy's original field datasheets. Please see accompanying documentation for explanations of the data and their treatment. Species are listed in phylogenetic order.

Robert A. Leidy Fish Survey 1992-1998

SFEI Datasheet # LF158 *

SURVEY EVENT INFORMATION

Date: 6/11/98 **Time:** 0930 **SFEI Station ID:** STN0147

Location: Milliken Creek, at Atlas Peak Road bridge

Watershed: Napa River Watershed **County:** Napa **USGS 7.5' Quad:** NAPA

SPECIES LIST AND INDIVIDUAL LENGTHS

Species	Fork Length or Tail Length (mm)
<i>Oncorhynchus mykiss</i> (Rainbow trout)	61
<i>Lavinia symmetricus</i> (California roach)	49, 55
<i>Gambusia affinis</i> (Western mosquitofish)	41
<i>Gasterosteus aculeatus</i> (Threespine stickleback)	27
<i>Lepomis cyanellus</i> (Green sunfish)	85, 89
<i>Micropterus dolomieu</i> (Smallmouth bass)	38
<i>Cottus gulosus</i> (Riffle sculpin)	33, 33, 35, 38, 94, 114

FISH COMMUNITY STRUCTURE INDICES

Total Number of Species: 7 **% Native Fish Species:** 57%

SPECIES RATINGS (AS DEFINED BY R.A. LEIDY)

% Native Rating by Abundance (0-3): 1 **Salmonid Abundance (0-3):** 1

Total year-of-young in sample (0-3): 1 **Sculpin Abundance (0-3):** 1

* NOTE: This page presents selected data from one of R.A. Leidy's original field datasheets. Please see accompanying documentation for explanations of the data and their treatment. Species are listed in phylogenetic order.

Robert A. Leidy Fish Survey 1992-1998

SFEI Datasheet # LF159 *

SURVEY EVENT INFORMATION

Date: 6/11/98 **Time:** 1100 **SFEI Station ID:** STN0146
Location: Milliken Creek, approximately 20 m upstream from Westgate Drive bridge within Silverado Country Club
Watershed: Napa River Watershed **County:** Napa **USGS 7.5' Quad:** NAPA

SPECIES LIST AND INDIVIDUAL LENGTHS

Species	Fork Length or Tail Length (mm)
<i>Oncorhynchus mykiss</i> (Rainbow trout)	50, 53
<i>Lavinia symmetricus</i> (California roach)	25, 46, 47, 47, 47, 48, 49, 53, 53, 55, 56, 56, 57, 57, 57, 57, 58, 58, 58, 59, 59, 61, 62, 63, 64, 64, 65, 69, 70, 70 (plus 100 observed within size range)
<i>Lepomis cyanellus</i> (Green sunfish)	79, 88
<i>Cottus gulosus</i> (Riffle sculpin)	83, 85, 88, 88, 90, 90, 92

FISH COMMUNITY STRUCTURE INDICES

Total Number of Species: 4 **% Native Fish Species:** 75%

SPECIES RATINGS (AS DEFINED BY R.A. LEIDY)

% Native Rating by Abundance (0-3): 3 **Salmonid Abundance (0-3):** 1
Total year-of-young in sample (0-3): 1 **Sculpin Abundance (0-3):** 2

* NOTE: This page presents selected data from one of R.A. Leidy's original field datasheets. Please see accompanying documentation for explanations of the data and their treatment. Species are listed in phylogenetic order.

Robert A. Leidy Fish Survey 1992-1998

SFEI Datasheet # LF160 *

SURVEY EVENT INFORMATION

Date: 1/14/94 **Time:** 1600 **SFEI Station ID:** STN0158
Location: Napa Creek, approximately 50 m upstream from Jefferson Street bridge, Napa
Watershed: Napa River Watershed **County:** Napa **USGS 7.5' Quad:** NAPA

SPECIES LIST AND INDIVIDUAL LENGTHS

Species	Fork Length or Tail Length (mm)
<i>Lavinia symmetricus</i> (California roach)	25, 27, 35, 35, 40, 45, 45, 55, 57, 58, 60, 63, 65, 75
<i>Catostomus occidentalis</i> (Sacramento sucker)	193
<i>Cottus asper</i> (Prickly sculpin)	65, 70

FISH COMMUNITY STRUCTURE INDICES

Total Number of Species: 3 **% Native Fish Species:** 100%

SPECIES RATINGS (AS DEFINED BY R.A. LEIDY)

% Native Rating by Abundance (0-3): 2	Salmonid Abundance (0-3): 0
Total year-of-young in sample (0-3): 2	Sculpin Abundance (0-3): 1

* NOTE: This page presents selected data from one of R.A. Leidy's original field datasheets. Please see accompanying documentation for explanations of the data and their treatment. Species are listed in phylogenetic order.

Robert A. Leidy Fish Survey 1992-1998 SFEI Datasheet # LF161 *

SURVEY EVENT INFORMATION

Date: 8/16/93 **Time:** 1300 **SFEI Station ID:** STN0163
Location: Napa River, immediately downstream from Myrtleale Road bridge crossing, Calistoga
Watershed: Napa River Watershed **County:** Napa **USGS 7.5' Quad:** CALISTOGA

SPECIES LIST AND INDIVIDUAL LENGTHS

Species	Fork Length or Tail Length (mm)
<i>Lavinia symmetricus</i> (California roach)	26, 31, 32, 32, 35, 38, 40, 60, 66, 69, 69
<i>Catostomus occidentalis</i> (Sacramento sucker)	50, 51
<i>Gambusia affinis</i> (Western mosquitofish)	22
<i>Gasterosteus aculeatus</i> (Threespine stickleback)	36
<i>Lepomis macrochirus</i> (Bluegill)	128, 164
<i>Cottus asper</i> (Prickly sculpin)	35, 36, 38, 40, 41, 41, 42, 42, 46, 46, 49, 52, 55, 55, 75, 86, 116

FISH COMMUNITY STRUCTURE INDICES

Total Number of Species: 6 **% Native Fish Species:** 67%

SPECIES RATINGS (AS DEFINED BY R.A. LEIDY)

% Native Rating by Abundance (0-3): 2 **Salmonid Abundance (0-3):** 0
Total year-of-young in sample (0-3): 3 **Sculpin Abundance (0-3):** 3

* NOTE: This page presents selected data from one of R.A. Leidy's original field datasheets. Please see accompanying documentation for explanations of the data and their treatment. Species are listed in phylogenetic order.

Robert A. Leidy Fish Survey 1992-1998

SFEI Datasheet # LF162 *

SURVEY EVENT INFORMATION

Date: 8/12/93	Time: 1100	SFEI Station ID: STN0162
Location: Napa River, at pool below Oakdale Road, at Harris Ranch		
Watershed: Napa River Watershed	County: Napa	USGS 7.5' Quad: RUTHERFORD

SPECIES LIST AND INDIVIDUAL LENGTHS

Species	Fork Length or Tail Length (mm)
<i>Mylopharodon conocephalus</i> (Hardhead)	29, 35, 38, 39, 40, 43, 43, 48, 68, 72, 72, 75, 78, 82, 82, 82, 92, 97, 98, 100, 105, 106, 111, 112, 115, 122, 128, 152, 153
<i>Lavinia symmetricus</i> (California roach)	42, 48, 55, 62, 62, 62, 67, 68, 68, 73, 80, 80, 89
<i>Catostomus occidentalis</i> (Sacramento sucker)	216, 303, 339 (plus 10 observed at 50-80 mm in riffle)
<i>Gasterosteus aculeatus</i> (Threespine stickleback)	48, 48
<i>Hysterocarpus traskii</i> (Tule perch)	No measurements taken (2 observed at 100-150 mm TL)
<i>Cottus gulosus</i> (Riffle sculpin)	No measurements taken (40 or more taken in riffle area at 35-75 mm)

FISH COMMUNITY STRUCTURE INDICES

Total Number of Species: 6	% Native Fish Species: 100%
-----------------------------------	------------------------------------

SPECIES RATINGS (AS DEFINED BY R.A. LEIDY)

% Native Rating by Abundance (0-3): 3	Salmonid Abundance (0-3): 0
Total year-of-young in sample (0-3): 3	Sculpin Abundance (0-3): 3

* NOTE: This page presents selected data from one of R.A. Leidy's original field datasheets. Please see accompanying documentation for explanations of the data and their treatment. Species are listed in phylogenetic order.

Robert A. Leidy Fish Survey 1992-1998 SFEI Datasheet # LF164 *

SURVEY EVENT INFORMATION

Date: 9/1/93 **Time:** 1000 **SFEI Station ID:** STN0159
Location: Napa River, 100 m upstream of Yountville Cross Road bridge
Watershed: Napa River Watershed **County:** Napa **USGS 7.5' Quad:** YOUNTVILLE

SPECIES LIST AND INDIVIDUAL LENGTHS

Species	Fork Length or Tail Length (mm)
<i>Mylopharodon conocephalus</i> (Hardhead)	48, 52, 62, 62, 66, 125
<i>Ptychocheilus grandis</i> (Sacramento squawfish)	54, 54, 60, 62, 70, 78, 155
<i>Lavinia symmetricus</i> (California roach)	44, 44, 62, 64, 66, 78, 80, 82, 82, 84, 85, 85, 86, 90, 92, 96, 97, 98, 100, 102, 105, 108, 108, 110, 112, 112, 120
<i>Catostomus occidentalis</i> (Sacramento sucker)	85, 108, 122, 166
<i>Gasterosteus aculeatus</i> (Threespine stickleback)	32, 34, 34, 36, 36, 38, 40, 40, 41, 41, 41, 42, 42, 42, 42, 42, 42, 44, 44, 44, 45, 46, 48, 48, 48, 50, 50, 50, 52
<i>Micropterus dolomieu</i> (Smallmouth bass)	109
<i>Hysterocarpus traskii</i> (Tule perch)	60, 60, 65, 72, 78, 80
<i>Cottus asper</i> (Prickly sculpin)	48, 51, 51, 54, 55, 58, 62, 62, 64, 65, 72, 81, 82, 89, 95, 100, 110

FISH COMMUNITY STRUCTURE INDICES

Total Number of Species: 8 **% Native Fish Species:** 88%

SPECIES RATINGS (AS DEFINED BY R.A. LEIDY)

% Native Rating by Abundance (0-3): 3 **Salmonid Abundance (0-3):** 0
Total year-of-young in sample (0-3): 3 **Sculpin Abundance (0-3):** 3

* NOTE: This page presents selected data from one of R.A. Leidy's original field datasheets. Please see accompanying documentation for explanations of the data and their treatment. Species are listed in phylogenetic order.

Robert A. Leidy Fish Survey 1992-1998 SFEI Datasheet # LF165 *

SURVEY EVENT INFORMATION

Date: 7/16/97 **Time:** 1100 **SFEI Station ID:** STN0164
Location: Napa River, pool immediately downstream of Arizona Road crossing at water treatment plant, downstream from Kimball Canyon Dam
Watershed: Napa River Watershed **County:** Napa **USGS 7.5' Quad:** CALISTOGA

SPECIES LIST AND INDIVIDUAL LENGTHS

Species	Fork Length or Tail Length (mm)
<i>Oncorhynchus mykiss</i> (Rainbow trout)	210, 255
<i>Ptychocheilus grandis</i> (Sacramento squawfish)	312
<i>Lavinia symmetricus</i> (California roach)	36, 73, 77
<i>Catostomus occidentalis</i> (Sacramento sucker)	163, 165, 165, 185
<i>Lepomis cyanellus</i> (Green sunfish)	65, 110
<i>Cottus gulosus</i> (Riffle sculpin)	78, 92

FISH COMMUNITY STRUCTURE INDICES

Total Number of Species: 6 % Native Fish Species: 83%

SPECIES RATINGS (AS DEFINED BY R.A. LEIDY)

% Native Rating by Abundance (0-3): 3 Salmonid Abundance (0-3): 1

Total year-of-young in sample (0-3): 1 Sculpin Abundance (0-3): 1

* NOTE: This page presents selected data from one of R.A. Leidy's original field datasheets. Please see accompanying documentation for explanations of the data and their treatment. Species are listed in phylogenetic order.

Robert A. Leidy Fish Survey 1992-1998 SFEI Datasheet # LF166 *

SURVEY EVENT INFORMATION

Date: 8/5/97 **Time:** 1000 **SFEI Station ID:** STN0161
Location: Napa River, at Pioneer Park, immediately upstream of lower spillway
Watershed: Napa River Watershed **County:** Napa **USGS 7.5' Quad:** CALISTOGA

SPECIES LIST AND INDIVIDUAL LENGTHS

Species	Fork Length or Tail Length (mm)
<i>Ptychocheilus grandis</i> (Sacramento squawfish)	130, 135, 140, 390
<i>Lavinia symmetricus</i> (California roach)	58, 60, 62, 64, 65, 65, 66, 68, 70, 72, 72, 72, 73, 74, 74, 75, 75, 75, 75, 76, 76, 76, 76, 78, 82, 86, 91, 92, 92
<i>Catostomus occidentalis</i> (Sacramento sucker)	53, 58, 220
<i>Gasterosteus aculeatus</i> (Threespine stickleback)	No measurements taken (20 at 25-40 mm)
<i>Lepomis cyanellus</i> (Green sunfish)	98
<i>Cottus gulosus</i> (Rifle sculpin)	40, 44, 65, 110

FISH COMMUNITY STRUCTURE INDICES

Total Number of Species: 6 **% Native Fish Species:** 83%

SPECIES RATINGS (AS DEFINED BY R.A. LEIDY)

% Native Rating by Abundance (0-3): 3 **Salmonid Abundance (0-3):** 0

Total year-of-young in sample (0-3): 3 **Sculpin Abundance (0-3):** 1

* NOTE: This page presents selected data from one of R.A. Leidy's original field datasheets. Please see accompanying documentation for explanations of the data and their treatment. Species are listed in phylogenetic order.

Robert A. Leidy Fish Survey 1992-1998
SFEI Datasheet # LF167 *

SURVEY EVENT INFORMATION

Date: 7/15/94 **Time:** 1236 **SFEI Station ID:** STN0165
Location: Napa Slough, from Appleby Bay Slough, east to Devils Slough (5 minute trawl)
Watershed: Napa River Area (Bayland Segment D) **County:** Napa **USGS 7.5' Quad:** CUTTINGS WHARF

SPECIES LIST AND INDIVIDUAL LENGTHS

Species	Fork Length or Tail Length (mm)
<i>Morone saxatilis</i> (Striped bass)	44, 46, 65
<i>Hysterocarpus traskii</i> (Tule perch)	75, 82, 145, 148, 155, 158, 175
<i>Acanthogobius flavimanus</i> (Yellowfin goby)	38, 42, 59, 60, 103
<i>Tridentiger trigonocephalus</i> (Chameleon goby)	33

FISH COMMUNITY STRUCTURE INDICES

Total Number of Species: 4 **% Native Fish Species:** 25%
SPECIES RATINGS (AS DEFINED BY R.A. LEIDY)
% Native Rating by Abundance (0-3): 3 **Salmonid Abundance (0-3):** 0
Total year-of-young in sample (0-3): 1 **Sculpin Abundance (0-3):** 0

* NOTE: This page presents selected data from one of R.A. Leidy's original field datasheets. Please see accompanying documentation for explanations of the data and their treatment. Species are listed in phylogenetic order.

Robert A. Leidy Fish Survey 1992-1998 SFEI Datasheet # LF168 *

SURVEY EVENT INFORMATION

Date: 7/15/94 **Time:** 1330 **SFEI Station ID:** STN0166
Location: Napa Slough, from confluence with Napa River up-slough for 5 minutes (near Coon Island)
Watershed: Napa River Area (Bayland Segment D) **County:** Napa **USGS 7.5' Quad:** CUTTINGS WHARF

SPECIES LIST AND INDIVIDUAL LENGTHS

Species	Fork Length or Tail Length (mm)
<i>Hysterocarpus traskii</i> (Tule perch)	64, 68, 76, 136
<i>Platichthys stellatus</i> (Starry flounder)	72

FISH COMMUNITY STRUCTURE INDICES

Total Number of Species: 2 **% Native Fish Species:** 100%

SPECIES RATINGS (AS DEFINED BY R.A. LEIDY)

% Native Rating by Abundance (0-3): 0 **Salmonid Abundance (0-3):** 0
Total year-of-young in sample (0-3): 1 **Sculpin Abundance (0-3):** 0

* NOTE: This page presents selected data from one of R.A. Leidy's original field datasheets. Please see accompanying documentation for explanations of the data and their treatment. Species are listed in phylogenetic order.

Robert A. Leidy Fish Survey 1992-1998 SFEI Datasheet # LF169 *

SURVEY EVENT INFORMATION

Date: 1/14/94	Time: 1052	SFEI Station ID: STN0186
Location: Redwood Creek (Napa County), at Redwood Road, 0.5 km upstream from Castle Rock		
Watershed: Napa River Watershed	County: Napa	USGS 7.5' Quad: SONOMA

SPECIES LIST AND INDIVIDUAL LENGTHS

Species	Fork Length or Tail Length (mm)
<i>Oncorhynchus mykiss</i> (Rainbow trout)	50, 58, 58, 61, 69, 75, 75, 84, 85, 93, 120, 125, 132, 245, 260 (plus larger adults (245, 260) possibly steelhead)

FISH COMMUNITY STRUCTURE INDICES

Total Number of Species:	1	% Native Fish Species:	100%
---------------------------------	---	-------------------------------	------

SPECIES RATINGS (AS DEFINED BY R.A. LEIDY)

% Native Rating by Abundance (0-3):	2	Salmonid Abundance (0-3):	2
Total year-of-young in sample (0-3):	1	Sculpin Abundance (0-3):	0

* NOTE: This page presents selected data from one of R.A. Leidy's original field datasheets. Please see accompanying documentation for explanations of the data and their treatment. Species are listed in phylogenetic order.

Robert A. Leidy Fish Survey 1992-1998

SFEI Datasheet # LF170 *

SURVEY EVENT INFORMATION

Date: 1/14/94 **Time:** 1300 **SFEI Station ID:** STN0184

Location: Redwood Creek (Napa County), along Redwood Road milepost 6.0, opposite Domaine Chandon Vineyard, Castle Rock

Watershed: Napa River Watershed **County:** Napa **USGS 7.5' Quad:** SONOMA

SPECIES LIST AND INDIVIDUAL LENGTHS

Species	Fork Length or Tail Length (mm)
<i>Oncorhynchus mykiss</i> (Rainbow trout)	57, 65, 70, 75, 93 (plus 6 others observed. 4 at 60-100 mm FL; 2 at 125-150 mm FL)

FISH COMMUNITY STRUCTURE INDICES

Total Number of Species: 1 **% Native Fish Species:** 100%

SPECIES RATINGS (AS DEFINED BY R.A. LEIDY)

% Native Rating by Abundance (0-3): 2 **Salmonid Abundance (0-3):** 1

Total year-of-young in sample (0-3): 1 **Sculpin Abundance (0-3):** 0

* NOTE: This page presents selected data from one of R.A. Leidy's original field datasheets. Please see accompanying documentation for explanations of the data and their treatment. Species are listed in phylogenetic order.

Robert A. Leidy Fish Survey 1992-1998 SFEI Datasheet # LF171 *

SURVEY EVENT INFORMATION

Date: 1/14/94 **Time:** 1500 **SFEI Station ID:** STN0188

Location: Redwood Creek (Napa County), from Redwood Road bridge, downstream 30 m

Watershed: Napa River Watershed **County:** Napa **USGS 7.5' Quad:** SONOMA

SPECIES LIST AND INDIVIDUAL LENGTHS

Species	Fork Length or Tail Length (mm)
<i>Oncorhynchus mykiss</i> (Rainbow trout)	104, 119, 122
<i>Lavinia symmetricus</i> (California roach)	38, 40, 76
<i>Catostomus occidentalis</i> (Sacramento sucker)	48, 58, 58

FISH COMMUNITY STRUCTURE INDICES

Total Number of Species: 3 **% Native Fish Species:** 100%

SPECIES RATINGS (AS DEFINED BY R.A. LEIDY)

% Native Rating by Abundance (0-3): 2 **Salmonid Abundance (0-3):** 1

Total year-of-young in sample (0-3): 1 **Sculpin Abundance (0-3):** 0

* NOTE: This page presents selected data from one of R.A. Leidy's original field datasheets. Please see accompanying documentation for explanations of the data and their treatment. Species are listed in phylogenetic order.

Robert A. Leidy Fish Survey 1992-1998

SFEI Datasheet # LF172 *

SURVEY EVENT INFORMATION

Date: 7/27/96 **Time:** 1400 **SFEI Station ID:** STN0193
Location: Sage Creek, immediately upstream from junction of Pope Valley Road and Sage Creek Road
Watershed: Napa River Watershed **County:** Napa **USGS 7.5' Quad:** CHILES VALLEY

SPECIES LIST AND INDIVIDUAL LENGTHS

Species	Fork Length or Tail Length (mm)
<i>Oncorhynchus mykiss</i> (Rainbow trout)	81, 160
<i>Lavinia symmetricus</i> (California roach)	38, 42, 42, 45, 45, 47, 48, 48, 48, 50, 54, 54, 55, 55, 55, 55, 56, 57, 58, 62, 66, 67, 70 (plus 50 observed within size range)

FISH COMMUNITY STRUCTURE INDICES

Total Number of Species: 2 **% Native Fish Species:** 100%

SPECIES RATINGS (AS DEFINED BY R.A. LEIDY)

% Native Rating by Abundance (0-3): 2 **Salmonid Abundance (0-3):** 1
Total year-of-young in sample (0-3): 2 **Sculpin Abundance (0-3):** 0

* NOTE: This page presents selected data from one of R.A. Leidy's original field datasheets. Please see accompanying documentation for explanations of the data and their treatment. Species are listed in phylogenetic order.

Robert A. Leidy Fish Survey 1992-1998
SFEI Datasheet # LF173 *

SURVEY EVENT INFORMATION

Date: 8/5/93 **Time:** 1200 **SFEI Station ID:** STN0216
Location: Sarco Creek, at Trancos Road bridge, from 10 m downstream to 35 m upstream
Watershed: Napa River Watershed **County:** Napa **USGS 7.5' Quad:** NAPA

SPECIES LIST AND INDIVIDUAL LENGTHS

Species	Fork Length or Tail Length (mm)
<i>Lavinia symmetricus (California roach)</i>	35, 54, 81, 94
<i>Gasterosteus aculeatus (Threespine stickleback)</i>	30, 31, 31, 34, 34, 35, 36, 37, 39
<i>Cottus asper (Prickly sculpin)</i>	43, 45, 46, 51, 55, 61, 65, 66, 68, 70, 80, 80, 85, 85, 87, 87, 94, 110, 120

FISH COMMUNITY STRUCTURE INDICES

Total Number of Species: 3 **% Native Fish Species:** 100%

SPECIES RATINGS (AS DEFINED BY R.A. LEIDY)

% Native Rating by Abundance (0-3): 3 **Salmonid Abundance (0-3):** 0
Total year-of-young in sample (0-3): 2 **Sculpin Abundance (0-3):** 3

* NOTE: This page presents selected data from one of R.A. Leidy's original field datasheets. Please see accompanying documentation for explanations of the data and their treatment. Species are listed in phylogenetic order.

Robert A. Leidy Fish Survey 1992-1998

SFEI Datasheet # LF175 *

SURVEY EVENT INFORMATION

Date: 1/20/97

Time: 1230

SFEI Station ID: STN0240

Location: Suscol Creek, between Devlin Road bridge upstream to Highway 29/37 bridge

Watershed: Napa River Watershed

County: Napa

USGS 7.5' Quad: CUTTINGS WHARF

SPECIES LIST AND INDIVIDUAL LENGTHS

Species	Fork Length or Tail Length (mm)
<i>Oncorhynchus mykiss</i> (Rainbow trout)	86, 113, 122, 125, 178, 190, 215, 255
<i>Lavinia symmetricus</i> (California roach)	38, 41, 55, 64, 65, 72, 75, 111, 125
<i>Catostomus occidentalis</i> (Sacramento sucker)	155, 180
<i>Gasterosteus aculeatus</i> (Threespine stickleback)	64, 70
<i>Lepomis macrochirus</i> (Bluegill)	71, 72, 72, 72, 72, 73, 74, 78, 80, 81
<i>Lepomis cyanellus</i> (Green sunfish)	105, 119, 143
<i>Cottus asper</i> (Prickly sculpin)	70

FISH COMMUNITY STRUCTURE INDICES

Total Number of Species: 7

% Native Fish Species: 71%

SPECIES RATINGS (AS DEFINED BY R.A. LEIDY)

% Native Rating by Abundance (0-3): 3

Salmonid Abundance (0-3): 1

Total year-of-young in sample (0-3): 1

Sculpin Abundance (0-3): 1

* NOTE: This page presents selected data from one of R.A. Leidy's original field datasheets. Please see accompanying documentation for explanations of the data and their treatment. Species are listed in phylogenetic order.

Robert A. Leidy Fish Survey 1992-1998 SFEI Datasheet # LF176 *

SURVEY EVENT INFORMATION

Date: 9/21/93 **Time:** 1030 **SFEI Station ID:** STN0054
Location: Arroyo Hondo Creek, approximately 0.3 km upstream from Marsh Road bridge, above Calaveras Reservoir
Watershed: Alameda Creek Watershed **County:** Santa Clara **USGS 7.5' Quad:** CALAVERAS RESERVOIR

SPECIES LIST AND INDIVIDUAL LENGTHS

Species	Fork Length or Tail Length (mm)
<i>Oncorhynchus mykiss</i> (Rainbow trout)	70, 72, 79, 91, 119, 200
<i>Cottus asper</i> (Prickly sculpin)	40, 42, 44, 49, 50, 50, 50, 51, 52, 53, 54, 55, 58, 62, 62, 65, 68, 69, 82, 89, 90

FISH COMMUNITY STRUCTURE INDICES

Total Number of Species: 2 **% Native Fish Species:** 100%

SPECIES RATINGS (AS DEFINED BY R.A. LEIDY)

% Native Rating by Abundance (0-3): 3 **Salmonid Abundance (0-3):** 1
Total year-of-young in sample (0-3): 2 **Sculpin Abundance (0-3):** 3

* NOTE: This page presents selected data from one of R.A. Leidy's original field datasheets. Please see accompanying documentation for explanations of the data and their treatment. Species are listed in phylogenetic order.

**Robert A. Leidy Fish Survey 1992-1998
SFEI Datasheet # LF177 ***

SURVEY EVENT INFORMATION

Date: 9/21/93 **Time:** 1500 **SFEI Station ID:** STN0053
Location: Arroyo Hondo Creek, approximately 0.25 km upstream from Marsh Road bridge, at 3 large pools
Watershed: Alameda Creek Watershed **County:** Santa Clara **USGS 7.5' Quad:** CALAVERAS RESERVOIR

SPECIES LIST AND INDIVIDUAL LENGTHS

Species	Fork Length or Tail Length (mm)
<i>Oncorhynchus mykiss</i> (Rainbow trout)	72, 78, 82
<i>Lavinia symmetricus</i> (California roach)	70, 89
<i>Ameiurus melas</i> (Black bullhead)	273, 275, 276, 278
<i>Micropterus salmoides</i> (Largemouth bass)	90, 100
<i>Cottus asper</i> (Prickly sculpin)	41, 48, 50, 52, 55, 58, 59

FISH COMMUNITY STRUCTURE INDICES

Total Number of Species: 5 **% Native Fish Species:** 60%

SPECIES RATINGS (AS DEFINED BY R.A. LEIDY)

% Native Rating by Abundance (0-3): 1 **Salmonid Abundance (0-3):** 1
Total year-of-young in sample (0-3): 0 **Sculpin Abundance (0-3):** 2

* NOTE: This page presents selected data from one of R.A. Leidy's original field datasheets. Please see accompanying documentation for explanations of the data and their treatment. Species are listed in phylogenetic order.

Robert A. Leidy Fish Survey 1992-1998

SFEI Datasheet # LF178 *

SURVEY EVENT INFORMATION

Date: 9/30/93 **Time:** 1000 **SFEI Station ID:** STN0055

Location: Arroyo Hondo Creek, approximately 1 km upstream from Marsh Road bridge above Calaveras Reservoir

Watershed: Alameda Creek Watershed **County:** Santa Clara **USGS 7.5' Quad:** CALAVERAS RESERVOIR

SPECIES LIST AND INDIVIDUAL LENGTHS

Species	Fork Length or Tail Length (mm)
<i>Oncorhynchus mykiss</i> (<i>Rainbow trout</i>)	50, 71, 79 (plus 10 observed within size range)
<i>Lavinia symmetricus</i> (<i>California roach</i>)	31, 38, 38, 41, 44, 45, 45, 66, 68, 70, 72, 73, 76 (plus 25 observed within size range)
<i>Cottus asper</i> (<i>Prickly sculpin</i>)	43, 45, 46, 47, 50, 52, 52, 56, 58, 95, 99, 111

FISH COMMUNITY STRUCTURE INDICES

Total Number of Species: 3 **% Native Fish Species:** 100%

SPECIES RATINGS (AS DEFINED BY R.A. LEIDY)

% Native Rating by Abundance (0-3): 3 **Salmonid Abundance (0-3):** 2

Total year-of-young in sample (0-3): 3 **Sculpin Abundance (0-3):** 3

* NOTE: This page presents selected data from one of R.A. Leidy's original field datasheets. Please see accompanying documentation for explanations of the data and their treatment. Species are listed in phylogenetic order.

Robert A. Leidy Fish Survey 1992-1998

SFEI Datasheet # LF181 *

SURVEY EVENT INFORMATION

Date: 4/21/96 **Time:** 1015 **SFEI Station ID:** STN0063
Location: Bonjetti Creek, within Sanborn Regional Park, approximately 0.3 km upstream from Saratoga Road
Watershed: Saratoga Creek Watershed **County:** Santa Clara **USGS 7.5' Quad:** CASTLE ROCK RIDGE

SPECIES LIST AND INDIVIDUAL LENGTHS

Species	Fork Length or Tail Length (mm)
<i>Oncorhynchus mykiss</i> (Rainbow trout)	126, 250

FISH COMMUNITY STRUCTURE INDICES

Total Number of Species: 1 **% Native Fish Species:** 100%

SPECIES RATINGS (AS DEFINED BY R.A. LEIDY)

% Native Rating by Abundance (0-3): 1 **Salmonid Abundance (0-3):** 1

Total year-of-young in sample (0-3): 0 **Sculpin Abundance (0-3):** 0

* NOTE: This page presents selected data from one of R.A. Leidy's original field datasheets. Please see accompanying documentation for explanations of the data and their treatment. Species are listed in phylogenetic order.

Robert A. Leidy Fish Survey 1992-1998 SFEI Datasheet # LF182 *

SURVEY EVENT INFORMATION

Date: 1/28/94

Time: 1400

SFEI Station ID: STN0079

Location: Corte Madera Creek (Santa Clara County), immediately downstream from Westridge Road crossing, Palo Alto

Watershed: San Francisquito Creek Watershed

County: Santa Clara

USGS 7.5' Quad: PALO ALTO

SPECIES LIST AND INDIVIDUAL LENGTHS

Species	Fork Length or Tail Length (mm)
<i>Oncorhynchus mykiss</i> (<i>Rainbow trout</i>)	100, 109, 112, 131, 135, 260

FISH COMMUNITY STRUCTURE INDICES

Total Number of Species: 1 **% Native Fish Species:** 100%

SPECIES RATINGS (AS DEFINED BY R.A. LEIDY)

% Native Rating by Abundance (0-3): 2 **Salmonid Abundance (0-3):** 2

Total year-of-young in sample (0-3): 0 **Sculpin Abundance (0-3):** 0

* NOTE: This page presents selected data from one of R.A. Leidy's original field datasheets. Please see accompanying documentation for explanations of the data and their treatment. Species are listed in phylogenetic order.

Robert A. Leidy Fish Survey 1992-1998 SFEI Datasheet # LF183 *

SURVEY EVENT INFORMATION

Date: 6/3/97 **Time:** 1610 **SFEI Station ID:** STN0082

Location: Cow Creek, approximately 0.8 km upstream from road crossing upstream of confluence with San Felipe Creek

Watershed: Coyote Creek Watershed **County:** Santa Clara **USGS 7.5' Quad:** LICK OBSERVATORY

SPECIES LIST AND INDIVIDUAL LENGTHS

Species	Fork Length or Tail Length (mm)
<i>Oncorhynchus mykiss</i> (Rainbow trout)	40, 42, 44, 46, 50, 56, 58, 58, 60, 60, 61, 62, 62, 65, 66, 70, 70, 275 (plus 10 observed within size range)

FISH COMMUNITY STRUCTURE INDICES

Total Number of Species: 1 **% Native Fish Species:** 100%

SPECIES RATINGS (AS DEFINED BY R.A. LEIDY)

% Native Rating by Abundance (0-3): 3 **Salmonid Abundance (0-3):** 3

Total year-of-young in sample (0-3): 3 **Sculpin Abundance (0-3):** 0

* NOTE: This page presents selected data from one of R.A. Leidy's original field datasheets. Please see accompanying documentation for explanations of the data and their treatment. Species are listed in phylogenetic order.

Robert A. Leidy Fish Survey 1992-1998
SFEI Datasheet # LF184 *

SURVEY EVENT INFORMATION

Date: 8/17/93 **Time:** 1200 **SFEI Station ID:** STN0096
Location: Coyote Creek, opposite Old Cottonwood Lake
Watershed: Coyote Creek Watershed **County:** Santa Clara **USGS 7.5' Quad:** SAN JOSE EAST

SPECIES LIST AND INDIVIDUAL LENGTHS

Species	Fork Length or Tail Length (mm)
<i>Oncorhynchus mykiss</i> (Rainbow trout)	No measurements taken (no data taken on number)
<i>Cottus asper</i> (Prickly sculpin)	No measurements taken (no data taken on number)

FISH COMMUNITY STRUCTURE INDICES

Total Number of Species: 2 **% Native Fish Species:** 100%

SPECIES RATINGS (AS DEFINED BY R.A. LEIDY)

% Native Rating by Abundance (0-3): 3 **Salmonid Abundance (0-3):** 2
Total year-of-young in sample (0-3): 3 **Sculpin Abundance (0-3):** 3

* NOTE: This page presents selected data from one of R.A. Leidy's original field datasheets. Please see accompanying documentation for explanations of the data and their treatment. Species are listed in phylogenetic order.

Robert A. Leidy Fish Survey 1992-1998
SFEI Datasheet # LF186 *

SURVEY EVENT INFORMATION

Date: 8/17/93 **Time:** 1300 **SFEI Station ID:** STN0090
Location: Coyote Creek, at Kelley Park
Watershed: Coyote Creek Watershed **County:** Santa Clara **USGS 7.5' Quad:** SAN JOSE EAST

SPECIES LIST AND INDIVIDUAL LENGTHS

Species	Fork Length or Tail Length (mm)
<i>Gambusia affinis</i> (<i>Western mosquitofish</i>)	25, 25, 26, 29, 40, 41 (plus 200 or more observed within size range)

FISH COMMUNITY STRUCTURE INDICES

Total Number of Species: 1 **% Native Fish Species:** 0%

SPECIES RATINGS (AS DEFINED BY R.A. LEIDY)

% Native Rating by Abundance (0-3): 0 **Salmonid Abundance (0-3):** 0

Total year-of-young in sample (0-3): 3 **Sculpin Abundance (0-3):** 0

* NOTE: This page presents selected data from one of R.A. Leidy's original field datasheets. Please see accompanying documentation for explanations of the data and their treatment. Species are listed in phylogenetic order.

Robert A. Leidy Fish Survey 1992-1998 SFEI Datasheet # LF187 *

SURVEY EVENT INFORMATION

Date: 8/19/93 **Time:** 1200 **SFEI Station ID:** STN0083
Location: Coyote Creek, 20 m downstream from Anderson Dam spillway
Watershed: Coyote Creek Watershed **County:** Santa Clara **USGS 7.5' Quad:** MORGAN HILL

SPECIES LIST AND INDIVIDUAL LENGTHS

Species	Fork Length or Tail Length (mm)
<i>Oncorhynchus mykiss</i> (Rainbow trout)	275
<i>Cottus asper</i> (Prickly sculpin)	31, 33, 45, 45, 45, 45, 50, 52, 63, 100, 111

FISH COMMUNITY STRUCTURE INDICES

Total Number of Species: 2 **% Native Fish Species:** 100%

SPECIES RATINGS (AS DEFINED BY R.A. LEIDY)

% Native Rating by Abundance (0-3): 3 **Salmonid Abundance (0-3):** 1
Total year-of-young in sample (0-3): 3 **Sculpin Abundance (0-3):** 3

* NOTE: This page presents selected data from one of R.A. Leidy's original field datasheets. Please see accompanying documentation for explanations of the data and their treatment. Species are listed in phylogenetic order.

Robert A. Leidy Fish Survey 1992-1998 SFEI Datasheet # LF188 *

SURVEY EVENT INFORMATION

Date: 9/27/93 **Time:** 1200 **SFEI Station ID:** STN0088

Location: Coyote Creek, approximately 50 m upstream from Model Airplane Park

Watershed: Coyote Creek Watershed **County:** Santa Clara **USGS 7.5' Quad:** MORGAN HILL

SPECIES LIST AND INDIVIDUAL LENGTHS

Species	Fork Length or Tail Length (mm)
<i>Lavinia exilicauda</i> (Hitch)	15
<i>Catostomus occidentalis</i> (Sacramento sucker)	53, 77
<i>Cottus asper</i> (Prickly sculpin)	64

FISH COMMUNITY STRUCTURE INDICES

Total Number of Species: 3 **% Native Fish Species:** 100%

SPECIES RATINGS (AS DEFINED BY R.A. LEIDY)

% Native Rating by Abundance (0-3): 1 **Salmonid Abundance (0-3):** 0

Total year-of-young in sample (0-3): 1 **Sculpin Abundance (0-3):** 1

* NOTE: This page presents selected data from one of R.A. Leidy's original field datasheets. Please see accompanying documentation for explanations of the data and their treatment. Species are listed in phylogenetic order.

Robert A. Leidy Fish Survey 1992-1998 SFEI Datasheet # LF189 *

SURVEY EVENT INFORMATION

Date: 9/27/93

Time: 1330

SFEI Station ID: STN0085

Location: Coyote Creek, approximately 0.4 km upstream from entrance to Henry Coe State Park at old bridge crossing, upstream from new bridge

Watershed: Coyote Creek Watershed

County: Santa Clara

USGS 7.5' Quad: GILROY HOT SPRINGS

SPECIES LIST AND INDIVIDUAL LENGTHS

Species	Fork Length or Tail Length (mm)
<i>Ptychocheilus grandis</i> (Sacramento squawfish)	59, 445
<i>Lavinia symmetricus</i> (California roach)	15, 17, 25, 25, 25, 32, 39, 39, 46, 49, 63, 65 (plus 1000 observed within size range)
<i>Catostomus occidentalis</i> (Sacramento sucker)	40, 65 (plus 12 observed at 40-65 mm)
<i>Cottus gulosus</i> (Riffle sculpin)	39, 49, 60

FISH COMMUNITY STRUCTURE INDICES

Total Number of Species: 4 **% Native Fish Species:** 100%

SPECIES RATINGS (AS DEFINED BY R.A. LEIDY)

% Native Rating by Abundance (0-3): 3 **Salmonid Abundance (0-3):** 0

Total year-of-young in sample (0-3): 3 **Sculpin Abundance (0-3):** 2

* NOTE: This page presents selected data from one of R.A. Leidy's original field datasheets. Please see accompanying documentation for explanations of the data and their treatment. Species are listed in phylogenetic order.

Robert A. Leidy Fish Survey 1992-1998 SFEI Datasheet # LF190 *

SURVEY EVENT INFORMATION

Date: 9/27/93 **Time:** 1400 **SFEI Station ID:** STN0087
Location: Coyote Creek, approximately 100 m upstream from Model Airplane Park
Watershed: Coyote Creek Watershed **County:** Santa Clara **USGS 7.5' Quad:** MORGAN HILL

SPECIES LIST AND INDIVIDUAL LENGTHS

Species	Fork Length or Tail Length (mm)
<i>Lavinia exilicauda</i> (Hitch)	22, 25, 72, 72, 85, 87, 88, 89, 90, 92, 99, 100 (plus 50 observed within size range)
<i>Catostomus occidentalis</i> (Sacramento sucker)	78, 107, 112
<i>Lepomis cyanellus</i> (Green sunfish)	95
<i>Cottus asper</i> (Prickly sculpin)	42, 42, 44, 48, 51, 73, 74, 75

FISH COMMUNITY STRUCTURE INDICES

Total Number of Species: 4 **% Native Fish Species:** 75%

SPECIES RATINGS (AS DEFINED BY R.A. LEIDY)

% Native Rating by Abundance (0-3): 3 **Salmonid Abundance (0-3):** 0
Total year-of-young in sample (0-3): 2 **Sculpin Abundance (0-3):** 3

* NOTE: This page presents selected data from one of R.A. Leidy's original field datasheets. Please see accompanying documentation for explanations of the data and their treatment. Species are listed in phylogenetic order.

Robert A. Leidy Fish Survey 1992-1998 SFEI Datasheet # LF191 *

SURVEY EVENT INFORMATION

Date: 9/28/93 **Time:** 0900 **SFEI Station ID:** STN0086

Location: Coyote Creek, approximately 0.8 km upstream from Metcalf Canyon Road crossing

Watershed: Coyote Creek Watershed **County:** Santa Clara **USGS 7.5' Quad:** MORGAN HILL

SPECIES LIST AND INDIVIDUAL LENGTHS

Species	Fork Length or Tail Length (mm)
<i>Micropterus salmoides</i> (<i>Largemouth bass</i>)	79
<i>Cottus asper</i> (<i>Prickly sculpin</i>)	49, 51, 58, 58, 60, 61, 64, 67, 70, 73, 75, 76, 79, 81, 86

FISH COMMUNITY STRUCTURE INDICES

Total Number of Species: 2 **% Native Fish Species:** 50%

SPECIES RATINGS (AS DEFINED BY R.A. LEIDY)

% Native Rating by Abundance (0-3): 3 **Salmonid Abundance (0-3):** 0

Total year-of-young in sample (0-3): 2 **Sculpin Abundance (0-3):** 3

* NOTE: This page presents selected data from one of R.A. Leidy's original field datasheets. Please see accompanying documentation for explanations of the data and their treatment. Species are listed in phylogenetic order.

Robert A. Leidy Fish Survey 1992-1998

SFEI Datasheet # LF192 *

SURVEY EVENT INFORMATION

Date: 3/25/94 **Time:** 0900 **SFEI Station ID:** STN0092

Location: Coyote Creek, downstream of old Tennant Road crossing (washed out), off of Highway 101 (opposite mitigation basin)

Watershed: Coyote Creek Watershed **County:** Santa Clara **USGS 7.5' Quad:** SANTA TERESA HILLS

SPECIES LIST AND INDIVIDUAL LENGTHS

Species	Fork Length or Tail Length (mm)
<i>Catostomus occidentalis</i> (Sacramento sucker)	168, 169, 185, 215, 220, 235
<i>Menidia beryllina</i> (Inland silverside)	72
<i>Cottus asper</i> (Prickly sculpin)	57, 58, 64, 72, 89, 98

FISH COMMUNITY STRUCTURE INDICES

Total Number of Species: 3	% Native Fish Species: 67%
SPECIES RATINGS (AS DEFINED BY R.A. LEIDY)	
% Native Rating by Abundance (0-3): 1	Salmonid Abundance (0-3): 0
Total year-of-young in sample (0-3): 1	Sculpin Abundance (0-3): 1

* NOTE: This page presents selected data from one of R.A. Leidy's original field datasheets. Please see accompanying documentation for explanations of the data and their treatment. Species are listed in phylogenetic order.

Robert A. Leidy Fish Survey 1992-1998
SFEI Datasheet # LF193 *

SURVEY EVENT INFORMATION

Date: 3/25/94 **Time:** 1300 **SFEI Station ID:** STN0097
Location: Coyote Creek, opposite public golf course, at large pool
Watershed: Coyote Creek Watershed **County:** Santa Clara **USGS 7.5' Quad:** MORGAN HILL

SPECIES LIST AND INDIVIDUAL LENGTHS

Species	Fork Length or Tail Length (mm)
<i>Cyprinus carpio</i> (Carp)	86, 95, 360, 380, 400, 440, 487
<i>Lavinia exilicauda</i> (Hitch)	34, 52, 52, 52, 52, 56, 57, 58, 59, 61, 62, 62, 62, 65, 67, 71, 78, 89, 127, 127, 138, 160
<i>Gambusia affinis</i> (Western mosquitofish)	34 (plus 250 observed at 20-50 mm TL)
<i>Lepomis macrochirus</i> (Bluegill)	140
<i>Lepomis cyanellus</i> (Green sunfish)	57, 109
<i>Cottus asper</i> (Prickly sculpin)	46, 82, 92

FISH COMMUNITY STRUCTURE INDICES

Total Number of Species: 6 **% Native Fish Species:** 33%

SPECIES RATINGS (AS DEFINED BY R.A. LEIDY)

% Native Rating by Abundance (0-3): 1 **Salmonid Abundance (0-3):** 0
Total year-of-young in sample (0-3): 0 **Sculpin Abundance (0-3):** 1

* NOTE: This page presents selected data from one of R.A. Leidy's original field datasheets. Please see accompanying documentation for explanations of the data and their treatment. Species are listed in phylogenetic order.

Robert A. Leidy Fish Survey 1992-1998 SFEI Datasheet # LF194 *

SURVEY EVENT INFORMATION

Date: 7/28/95 **Time:** 0930 **SFEI Station ID:** STN0094

Location: Coyote Creek, opposite 'OCTel' Company parking lot, off of Murphy Ranch Road

Watershed: Coyote Creek Watershed **County:** Santa Clara **USGS 7.5' Quad:** MILPITAS

SPECIES LIST AND INDIVIDUAL LENGTHS

Species	Fork Length or Tail Length (mm)
<i>Lucania parva</i> (Rainwater killifish)	41, 42
<i>Acanthogobius flavimanus</i> (Yellowfin goby)	92, 93, 96, 109, 115
<i>Cottus asper</i> (Prickly sculpin)	44, 48, 50, 52, 55, 56, 57, 58, 58, 60, 61, 61, 61, 62, 62, 68, 81

FISH COMMUNITY STRUCTURE INDICES

Total Number of Species: 3 **% Native Fish Species:** 33%

SPECIES RATINGS (AS DEFINED BY R.A. LEIDY)

% Native Rating by Abundance (0-3): 2 **Salmonid Abundance (0-3):** 0

Total year-of-young in sample (0-3): 1 **Sculpin Abundance (0-3):** 3

* NOTE: This page presents selected data from one of R.A. Leidy's original field datasheets. Please see accompanying documentation for explanations of the data and their treatment. Species are listed in phylogenetic order.

Robert A. Leidy Fish Survey 1992-1998

SFEI Datasheet # LF195 *

SURVEY EVENT INFORMATION

Date: 7/28/95

Time: 1130

SFEI Station ID: STN0095

Location: Coyote Creek, opposite LSI Logic Corporation buildings, approximately 0.7 km downstream from Trimble Road crossing

Watershed: Coyote Creek Watershed

County: Santa Clara

USGS 7.5' Quad: MILPITAS

SPECIES LIST AND INDIVIDUAL LENGTHS

Species	Fork Length or Tail Length (mm)
<i>Cottus asper (Prickly sculpin)</i>	42, 43, 43, 45, 48, 48, 50, 50, 50, 51, 51, 52, 52, 52, 52, 52, 53, 53, 53, 54, 54, 54, 55, 58, 58, 58, 59, 60, 60, 60, 60, 60, 62, 62, 62, 62, 62, 63, 64, 68, 70, 70, 72, 76, 79

FISH COMMUNITY STRUCTURE INDICES

Total Number of Species: 1 **% Native Fish Species:** 100%

SPECIES RATINGS (AS DEFINED BY R.A. LEIDY)

% Native Rating by Abundance (0-3): 2 **Salmonid Abundance (0-3):** 0

Total year-of-young in sample (0-3): 1 **Sculpin Abundance (0-3):** 3

* NOTE: This page presents selected data from one of R.A. Leidy's original field datasheets. Please see accompanying documentation for explanations of the data and their treatment. Species are listed in phylogenetic order.

Robert A. Leidy Fish Survey 1992-1998 SFEI Datasheet # LF196 *

SURVEY EVENT INFORMATION

Date: 7/28/95

Time: 1330

SFEI Station ID: STN0093

Location: Coyote Creek, off Empire Street, at Fred Watson Park, San Jose

Watershed: Coyote Creek Watershed

County: Santa Clara

USGS 7.5' Quad: SAN JOSE EAST

SPECIES LIST AND INDIVIDUAL LENGTHS

Species	Fork Length or Tail Length (mm)
<i>Lampetra tridentata</i> (<i>Pacific lamprey</i>)	110
<i>Lavinia symmetricus</i> (<i>California roach</i>)	25, 31, 48 (plus 500 observed at less than 20 mm TL)

FISH COMMUNITY STRUCTURE INDICES

Total Number of Species: 2 % Native Fish Species: 100%

SPECIES RATINGS (AS DEFINED BY R.A. LEIDY)

% Native Rating by Abundance (0-3): 3 Salmonid Abundance (0-3): 0

Total year-of-young in sample (0-3): 3 Sculpin Abundance (0-3): 0

* NOTE: This page presents selected data from one of R.A. Leidy's original field datasheets. Please see accompanying documentation for explanations of the data and their treatment. Species are listed in phylogenetic order.

Robert A. Leidy Fish Survey 1992-1998

SFEI Datasheet # LF197 *

SURVEY EVENT INFORMATION

Date: 7/28/95 **Time:** 1630 **SFEI Station ID:** STN0091

Location: Coyote Creek, begin approximately 50 m upstream from road crossing to public golf course, south of South Coyote Creek

Watershed: Coyote Creek Watershed **County:** Santa Clara **USGS 7.5' Quad:** MORGAN HILL

SPECIES LIST AND INDIVIDUAL LENGTHS

Species	Fork Length or Tail Length (mm)
<i>Lavinia exilicauda</i> (Hitch)	27, 27, 38, 42, 48, 72, 91
<i>Catostomus occidentalis</i> (Sacramento sucker)	72, 162, 166
<i>Gambusia affinis</i> (Western mosquitofish)	22 (plus 10 observed)
<i>Lepomis cyanellus</i> (Green sunfish)	32
<i>Cottus asper</i> (Prickly sculpin)	31, 31, 33, 33, 34, 35, 36, 36, 37, 38, 38, 38, 38, 38, 38, 42, 42, 42, 43, 43, 44, 45, 47, 48, 51, 53, 53, 55, 57, 58, 63, 70, 71, 78, 82 (plus 40 collected within size range)

FISH COMMUNITY STRUCTURE INDICES

Total Number of Species: 5 **% Native Fish Species:** 60%

SPECIES RATINGS (AS DEFINED BY R.A. LEIDY)

% Native Rating by Abundance (0-3): 3 **Salmonid Abundance (0-3):** 0

Total year-of-young in sample (0-3): 2 **Sculpin Abundance (0-3):** 3

* NOTE: This page presents selected data from one of R.A. Leidy's original field datasheets. Please see accompanying documentation for explanations of the data and their treatment. Species are listed in phylogenetic order.

Robert A. Leidy Fish Survey 1992-1998

SFEI Datasheet # LF198 *

SURVEY EVENT INFORMATION

Date: 8/26/95 **Time:** 1030 **SFEI Station ID:** STN0085

Location: Coyote Creek, approximately 0.4 km upstream from entrance to Henry Coe State Park at old bridge crossing,
upstream from new bridge

Watershed: Coyote Creek Watershed **County:** Santa Clara **USGS 7.5' Quad:** GILROY HOT SPRINGS

SPECIES LIST AND INDIVIDUAL LENGTHS

Species	Fork Length or Tail Length (mm)
<i>Ptychocheilus grandis</i> (Sacramento squawfish)	53 (plus 5 observed at 150-300 mm FL)
<i>Lavinia symmetricus</i> (California roach)	20, 21, 23, 29, 30, 30, 30, 30, 31, 31, 32, 32, 32, 32, 33, 33, 35, 35, 35, 36, 37, 38, 38, 38, 38, 39, 39, 40, 40, 41, 41, 41, 42, 42, 44, 44, 44, 44, 47, 48, 48, 48, 50, 51, 51, 51, 51, 52, 53, 53, 57, 68 (plus 500 within size range (visual))
<i>Catostomus occidentalis</i> (Sacramento sucker)	38, 62, 62, 75, 89
<i>Cottus gulosus</i> (Riffle sculpin)	31, 32, 33, 35, 35, 37, 38, 40, 41, 41, 41, 42, 42, 45, 50, 55, 55 (plus 25 within size range (visual))

FISH COMMUNITY STRUCTURE INDICES

Total Number of Species: 4 **% Native Fish Species:** 100%

SPECIES RATINGS (AS DEFINED BY R.A. LEIDY)

% Native Rating by Abundance (0-3): 3	Salmonid Abundance (0-3): 0
Total year-of-young in sample (0-3): 3	Sculpin Abundance (0-3): 3

* NOTE: This page presents selected data from one of R.A. Leidy's original field datasheets. Please see accompanying documentation for explanations of the data and their treatment. Species are listed in phylogenetic order.

Robert A. Leidy Fish Survey 1992-1998 SFEI Datasheet # LF199 *

SURVEY EVENT INFORMATION

Date: 8/31/95 **Time:** 1000 **SFEI Station ID:** STN0084
Location: Coyote Creek, approximately 0.3 km downstream from USGS benchmark 995 (1.5 km upstream from old road crossing to Gilroy Hot Springs, Henry Coe State Park)
Watershed: Coyote Creek Watershed **County:** Santa Clara **USGS 7.5' Quad:** GILROY HOT SPRINGS

SPECIES LIST AND INDIVIDUAL LENGTHS

Species	Fork Length or Tail Length (mm)
<i>Lavinia symmetricus</i> (California roach)	28, 28, 28, 29, 29, 29, 30, 30, 31, 32, 32, 34, 35, 35, 35, 35, 36, 36, 36, 37, 37, 37, 38, 38, 39, 39, 40, 40, 40, 41, 41, 41, 42, 42, 42, 43, 44, 45, 45, 50, 60, 75, 78, 78, 92 (plus 1000 observed within size range)
<i>Catostomus occidentalis</i> (Sacramento sucker)	36, 64, 69, 72
<i>Cottus gulosus</i> (Riffle sculpin)	40, 41, 45, 46, 47, 49, 60 (plus 20 observed within size range)

FISH COMMUNITY STRUCTURE INDICES

Total Number of Species: 3 **% Native Fish Species:** 100%

SPECIES RATINGS (AS DEFINED BY R.A. LEIDY)

% Native Rating by Abundance (0-3): 3 **Salmonid Abundance (0-3):** 0
Total year-of-young in sample (0-3): 3 **Sculpin Abundance (0-3):** 2

* NOTE: This page presents selected data from one of R.A. Leidy's original field datasheets. Please see accompanying documentation for explanations of the data and their treatment. Species are listed in phylogenetic order.

Robert A. Leidy Fish Survey 1992-1998

SFEI Datasheet # LF200 *

SURVEY EVENT INFORMATION

Date: 8/31/95 **Time:** 1230 **SFEI Station ID:** STN0089

Location: Coyote Creek, at confluence with creek entering left bank where road leaves creek towards Coit Camp, Henry Coe State Park

Watershed: Coyote Creek Watershed **County:** Santa Clara **USGS 7.5' Quad:** MISSISSIPPI CREEK

SPECIES LIST AND INDIVIDUAL LENGTHS

Species	Fork Length or Tail Length (mm)
<i>Lavinia symmetricus</i> (California roach)	25, 26, 28, 28, 28, 29, 29, 29, 30, 30, 31, 32, 32, 33, 33, 33, 34, 34, 35, 35, 35, 36, 36, 36, 36, 36, 37, 38, 40, 40, 42, 42, 42, 44 (plus 200 observed within size range)
<i>Catostomus occidentalis</i> (Sacramento sucker)	51, 53, 55
<i>Cottus gulosus</i> (Riffle sculpin)	44, 48, 52

FISH COMMUNITY STRUCTURE INDICES

Total Number of Species: 3 **% Native Fish Species:** 100%

SPECIES RATINGS (AS DEFINED BY R.A. LEIDY)

% Native Rating by Abundance (0-3): 3 **Salmonid Abundance (0-3):** 0

Total year-of-young in sample (0-3): 3 **Sculpin Abundance (0-3):** 1

* NOTE: This page presents selected data from one of R.A. Leidy's original field datasheets. Please see accompanying documentation for explanations of the data and their treatment. Species are listed in phylogenetic order.

Robert A. Leidy Fish Survey 1992-1998 SFEI Datasheet # LF201 *

SURVEY EVENT INFORMATION

Date: 8/31/95 **Time:** 1530 **SFEI Station ID:** STN0101

Location: Coyote Creek, Middle Fork, at small bedrock pool approximately 50 m downstream from road crossing at Poverty Flat

Watershed: Coyote Creek Watershed **County:** Santa Clara **USGS 7.5' Quad:** MT SIZER

SPECIES LIST AND INDIVIDUAL LENGTHS

Species	Fork Length or Tail Length (mm)
<i>Lavinia symmetricus</i> (California roach)	21, 22, 22, 23, 25, 25, 27, 27, 27, 28, 28, 30, 30, 30, 30, 30, 30, 30, 31, 32, 32, 32, 32, 33, 34, 35, 35, 35, 37, 38, 38, 40, 40, 41, 42, 50, 55, 60, 70, 72
<i>Catostomus occidentalis</i> (Sacramento sucker)	55, 78
<i>Cottus gulosus</i> (Riffle sculpin)	110

FISH COMMUNITY STRUCTURE INDICES

Total Number of Species: 3 **% Native Fish Species:** 100%

SPECIES RATINGS (AS DEFINED BY R.A. LEIDY)

% Native Rating by Abundance (0-3): 3 **Salmonid Abundance (0-3):** 0

Total year-of-young in sample (0-3): 3 **Sculpin Abundance (0-3):** 0

* NOTE: This page presents selected data from one of R.A. Leidy's original field datasheets. Please see accompanying documentation for explanations of the data and their treatment. Species are listed in phylogenetic order.

Robert A. Leidy Fish Survey 1992-1998

SFEI Datasheet # LF202 *

SURVEY EVENT INFORMATION

Date: 9/8/95 **Time:** 1030 **SFEI Station ID:** STN0100

Location: Coyote Creek, Middle Fork, approximately 100 m downstream from Upper Camp Site at large boulder pool, Henry Coe State Park

Watershed: Coyote Creek Watershed **County:** Santa Clara **USGS 7.5' Quad:** MT SIZER

SPECIES LIST AND INDIVIDUAL LENGTHS

Species	Fork Length or Tail Length (mm)
<i>Oncorhynchus mykiss</i> (Rainbow trout)	45, 52, 61, 62, 65, 68, 75, 113, 128, 128, 159, 195
<i>Lavinia symmetricus</i> (California roach)	32, 35, 57, 58, 60, 66, 68, 71, 74, 75, 78

FISH COMMUNITY STRUCTURE INDICES

Total Number of Species: 2 **% Native Fish Species:** 100%

SPECIES RATINGS (AS DEFINED BY R.A. LEIDY)

% Native Rating by Abundance (0-3): 3 **Salmonid Abundance (0-3):** 2
Total year-of-young in sample (0-3): 2 **Sculpin Abundance (0-3):** 0

* NOTE: This page presents selected data from one of R.A. Leidy's original field datasheets. Please see accompanying documentation for explanations of the data and their treatment. Species are listed in phylogenetic order.

Robert A. Leidy Fish Survey 1992-1998

SFEI Datasheet # LF203 *

SURVEY EVENT INFORMATION

Date: 9/8/95 **Time:** 1244 **SFEI Station ID:** STN0099

Location: Coyote Creek, East Fork, approximately 0.5k downstream from ranch house turnoff downstream from confluence with Water Gulch, Henry Coe State Park

Watershed: Coyote Creek Watershed **County:** Santa Clara **USGS 7.5' Quad:** MISSISSIPPI CREEK

SPECIES LIST AND INDIVIDUAL LENGTHS

Species	Fork Length or Tail Length (mm)
<i>Oncorhynchus mykiss</i> (Rainbow trout)	225
<i>Ptychocheilus grandis</i> (Sacramento squawfish)	50, 118
<i>Lavinia symmetricus</i> (California roach)	32, 34, 35, 35, 35, 35, 35, 35, 35, 36, 37, 38, 38, 38, 38, 39, 39, 40, 40, 40, 40, 40, 40, 41, 41, 41, 41, 41, 41, 42, 42, 43, 44, 44, 44, 44, 45, 45, 46, 48, 49, 49, 49, 49, 51, 65, 95, 105, 118 (plus 5000 observed within size range)
<i>Catostomus occidentalis</i> (Sacramento sucker)	38, 40, 49, 58, 59, 60, 400, 410, 450

FISH COMMUNITY STRUCTURE INDICES

Total Number of Species: 4 **% Native Fish Species:** 100%

SPECIES RATINGS (AS DEFINED BY R.A. LEIDY)

% Native Rating by Abundance (0-3): 3 **Salmonid Abundance (0-3):** 1

Total year-of-young in sample (0-3): 3 **Sculpin Abundance (0-3):** 0

* NOTE: This page presents selected data from one of R.A. Leidy's original field datasheets. Please see accompanying documentation for explanations of the data and their treatment. Species are listed in phylogenetic order.

Robert A. Leidy Fish Survey 1992-1998

SFEI Datasheet # LF206 *

SURVEY EVENT INFORMATION

Date: 6/1/94 **Time:** 1214 **SFEI Station ID:** STN0120

Location: Guadalupe River, downstream from dam, 1.3 km upstream from junction of Pheasant Valley Road and Hicks Road junction

Watershed: Guadalupe River Watershed **County:** Santa Clara **USGS 7.5' Quad:** LOS GATOS

SPECIES LIST AND INDIVIDUAL LENGTHS

Species	Fork Length or Tail Length (mm)
<i>Oncorhynchus mykiss</i> (Rainbow trout)	38, 42, 46, 93, 96, 96, 98, 100, 107, 115, 115, 115, 125, 128, 131, 135, 165
<i>Lavinia symmetricus</i> (California roach)	66, 74, 78, 85, 86, 90, 109, 118
<i>Catostomus occidentalis</i> (Sacramento sucker)	236, 255, 262, 288, 315, 422
<i>Cottus gulosus</i> (Riffle sculpin)	63, 82, 92

FISH COMMUNITY STRUCTURE INDICES

Total Number of Species: 4 **% Native Fish Species:** 100%

SPECIES RATINGS (AS DEFINED BY R.A. LEIDY)

% Native Rating by Abundance (0-3): 3 **Salmonid Abundance (0-3):** 3
Total year-of-young in sample (0-3): 1 **Sculpin Abundance (0-3):** 2

* NOTE: This page presents selected data from one of R.A. Leidy's original field datasheets. Please see accompanying documentation for explanations of the data and their treatment. Species are listed in phylogenetic order.

Robert A. Leidy Fish Survey 1992-1998 SFEI Datasheet # LF207 *

SURVEY EVENT INFORMATION

Date: 6/1/94 **Time:** 1300 **SFEI Station ID:** STN0121

Location: Guadalupe River, opposite Oak Canyon Development (end of Pam Lane, off Coleman Road)

Watershed: Guadalupe River Watershed **County:** Santa Clara **USGS 7.5' Quad:** LOS GATOS

SPECIES LIST AND INDIVIDUAL LENGTHS

Species	Fork Length or Tail Length (mm)
<i>Oncorhynchus mykiss</i> (Rainbow trout)	50, 53, 57, 76, 78, 78, 87, 90, 92, 92, 98, 101, 105, 107, 107, 108, 112, 115, 115, 117, 125, 145, 150, 210, 210 (plus 25 observed within size range)
<i>Lavinia symmetricus</i> (California roach)	43, 43, 45, 51, 55, 57, 57, 57, 59, 61, 62, 62, 63, 66, 68, 68, 69, 69, 73, 75, 76, 77, 77, 78, 80, 80, 80, 80, 81, 82, 82 (plus 200 observed at less than 10 mm TL)
<i>Catostomus occidentalis</i> (Sacramento sucker)	175, 178, 180, 200, 220, 221, 250, 250, 250, 257, 260, 276, 280, 288, 300, 300, 300, 320, 350, 360 (plus 25 observed within size range)
<i>Cottus gulosus</i> (Riffle sculpin)	55, 60, 65, 68, 68, 71, 72, 72, 75, 75, 77, 78, 80, 81, 82, 85, 85, 87, 92, 100, 101, 102, 102, 103, 105, 107, 115 (plus 25 observed within size range)

FISH COMMUNITY STRUCTURE INDICES

Total Number of Species: 4 **% Native Fish Species:** 100%

SPECIES RATINGS (AS DEFINED BY R.A. LEIDY)

% Native Rating by Abundance (0-3): 3 **Salmonid Abundance (0-3):** 2

Total year-of-young in sample (0-3): 2 **Sculpin Abundance (0-3):** 3

* NOTE: This page presents selected data from one of R.A. Leidy's original field datasheets. Please see accompanying documentation for explanations of the data and their treatment. Species are listed in phylogenetic order.

Robert A. Leidy Fish Survey 1992-1998

SFEI Datasheet # LF208 *

SURVEY EVENT INFORMATION

Date: 5/31/94 **Time:** 1040 **SFEI Station ID:** STN0119

Location: Guadalupe River, 100 m upstream from Hicks Road crossing, upstream of reservoir

Watershed: Guadalupe River Watershed **County:** Santa Clara **USGS 7.5' Quad:** SANTA TERESA HILLS

SPECIES LIST AND INDIVIDUAL LENGTHS

Species	Fork Length or Tail Length (mm)
<i>Oncorhynchus mykiss</i> (Rainbow trout)	32, 86, 92, 100, 106, 108, 109, 113, 118, 118, 135, 169
<i>Cottus gulosus</i> (Riffle sculpin)	40, 58, 61, 63, 67, 75

FISH COMMUNITY STRUCTURE INDICES

Total Number of Species: 2 **% Native Fish Species:** 100%

SPECIES RATINGS (AS DEFINED BY R.A. LEIDY)

% Native Rating by Abundance (0-3): 3 **Salmonid Abundance (0-3):** 3

Total year-of-young in sample (0-3): 1 **Sculpin Abundance (0-3):** 2

* NOTE: This page presents selected data from one of R.A. Leidy's original field datasheets. Please see accompanying documentation for explanations of the data and their treatment. Species are listed in phylogenetic order.

Robert A. Leidy Fish Survey 1992-1998
SFEI Datasheet # LF209 *

SURVEY EVENT INFORMATION

Date: 7/24/97 **Time:** 1700 **SFEI Station ID:** STN0122

Location: Hoover Creek, approximately 1.2 km upstream from confluence with Packwood Creek (Hoover Valley, Los Heucos Ranch)

Watershed: Coyote Creek Watershed **County:** Santa Clara **USGS 7.5' Quad:** MT SIZER

SPECIES LIST AND INDIVIDUAL LENGTHS

Species	Fork Length or Tail Length (mm)
<i>Oncorhynchus mykiss</i> (Rainbow trout)	58, 62, 62, 68, 70, 70, 70, 70, 70, 72, 72, 73, 73, 74, 75, 76, 78, 78, 80, 80, 82, 82, 82, 86, 86, 86, 87, 90, 92, 96 (plus 15 observed within size range)

FISH COMMUNITY STRUCTURE INDICES

Total Number of Species: 1 **% Native Fish Species:** 100%

SPECIES RATINGS (AS DEFINED BY R.A. LEIDY)

% Native Rating by Abundance (0-3): 3 **Salmonid Abundance (0-3):** 3

Total year-of-young in sample (0-3): 3 **Sculpin Abundance (0-3):** 0

* NOTE: This page presents selected data from one of R.A. Leidy's original field datasheets. Please see accompanying documentation for explanations of the data and their treatment. Species are listed in phylogenetic order.

Robert A. Leidy Fish Survey 1992-1998

SFEI Datasheet # LF210 *

SURVEY EVENT INFORMATION

Date: 8/31/95 **Time:** 1430 **SFEI Station ID:** STN0126
Location: Kelly Cabin Creek, approximately 0.3 km upstream from confluence with East Fork of Coyote Creek, at large pool boulder area
Watershed: Coyote Creek Watershed **County:** Santa Clara **USGS 7.5' Quad:** MISSISSIPPI CREEK

SPECIES LIST AND INDIVIDUAL LENGTHS

Species	Fork Length or Tail Length (mm)
<i>Ptychocheilus grandis</i> (Sacramento squawfish)	250
<i>Lavinia symmetricus</i> (California roach)	20, 22, 23, 25, 27, 27, 28, 29, 30, 30, 31, 31, 31, 32, 33, 33, 33, 33, 34, 34, 35, 35, 37, 37, 38, 38, 38, 38, 40, 40, 41, 41, 41, 42, 42, 42, 43, 43, 45, 45, 50, 81, 112 (plus 500 observed within size range)
<i>Catostomus occidentalis</i> (Sacramento sucker)	46, 47

FISH COMMUNITY STRUCTURE INDICES

Total Number of Species: 3 **% Native Fish Species:** 100%

SPECIES RATINGS (AS DEFINED BY R.A. LEIDY)

% Native Rating by Abundance (0-3): 3 **Salmonid Abundance (0-3):** 0

Total year-of-young in sample (0-3): 3 **Sculpin Abundance (0-3):** 0

* NOTE: This page presents selected data from one of R.A. Leidy's original field datasheets. Please see accompanying documentation for explanations of the data and their treatment. Species are listed in phylogenetic order.

Robert A. Leidy Fish Survey 1992-1998 SFEI Datasheet # LF213 *

SURVEY EVENT INFORMATION

Date: 2/2/97 **Time:** 1100 **SFEI Station ID:** STN0136
Location: Matadero Creek, at 3rd downstream crossing of Old Matadero Creek Road
Watershed: Matadero Creek Watershed **County:** Santa Clara **USGS 7.5' Quad:** PALO ALTO

SPECIES LIST AND INDIVIDUAL LENGTHS

Species	Fork Length or Tail Length (mm)
<i>Gasterosteus aculeatus</i> (Threespine stickleback)	35, 51, 53, 54
<i>Lepomis macrochirus</i> (Bluegill)	149
<i>Lepomis cyanellus</i> (Green sunfish)	62

FISH COMMUNITY STRUCTURE INDICES

Total Number of Species: 3 **% Native Fish Species:** 33%

SPECIES RATINGS (AS DEFINED BY R.A. LEIDY)

% Native Rating by Abundance (0-3): 1 **Salmonid Abundance (0-3):** 0
Total year-of-young in sample (0-3): 0 **Sculpin Abundance (0-3):** 0

* NOTE: This page presents selected data from one of R.A. Leidy's original field datasheets. Please see accompanying documentation for explanations of the data and their treatment. Species are listed in phylogenetic order.

Robert A. Leidy Fish Survey 1992-1998 SFEI Datasheet # LF214 *

SURVEY EVENT INFORMATION

Date: 2/2/97 **Time:** 1300 **SFEI Station ID:** STN0135
Location: Matadero Creek, approximately 50 m downstream from Foothill Expressway
Watershed: Matadero Creek Watershed **County:** Santa Clara **USGS 7.5' Quad:** PALO ALTO

SPECIES LIST AND INDIVIDUAL LENGTHS

Species	Fork Length or Tail Length (mm)
<i>Lavinia symmetricus</i> (California roach)	78, 78, 80, 85, 95, 120, 122, 130
<i>Gasterosteus aculeatus</i> (Threespine stickleback)	40
<i>Lepomis cyanellus</i> (Green sunfish)	90, 130

FISH COMMUNITY STRUCTURE INDICES

Total Number of Species: 3 **% Native Fish Species:** 67%

SPECIES RATINGS (AS DEFINED BY R.A. LEIDY)

% Native Rating by Abundance (0-3): 1 **Salmonid Abundance (0-3):** 0
Total year-of-young in sample (0-3): 0 **Sculpin Abundance (0-3):** 0

* NOTE: This page presents selected data from one of R.A. Leidy's original field datasheets. Please see accompanying documentation for explanations of the data and their treatment. Species are listed in phylogenetic order.

Robert A. Leidy Fish Survey 1992-1998 SFEI Datasheet # LF215 *

SURVEY EVENT INFORMATION

Date: 2/2/97 **Time:** 1430 **SFEI Station ID:** STN0137
Location: Matadero Creek, from Laguna Street bridge, upstream to drop structure
Watershed: Matadero Creek Watershed **County:** Santa Clara **USGS 7.5' Quad:** PALO ALTO

SPECIES LIST AND INDIVIDUAL LENGTHS

Species	Fork Length or Tail Length (mm)
<i>Orthodon microlepidotus</i> (Sacramento blackfish)	180
<i>Lepomis microlophus</i> (Redear sunfish)	118
<i>Cottus asper</i> (Prickly sculpin)	75

FISH COMMUNITY STRUCTURE INDICES

Total Number of Species: 3 **% Native Fish Species:** 67%

SPECIES RATINGS (AS DEFINED BY R.A. LEIDY)

% Native Rating by Abundance (0-3): 1	Salmonid Abundance (0-3): 0
Total year-of-young in sample (0-3): 0	Sculpin Abundance (0-3): 1

* NOTE: This page presents selected data from one of R.A. Leidy's original field datasheets. Please see accompanying documentation for explanations of the data and their treatment. Species are listed in phylogenetic order.

Robert A. Leidy Fish Survey 1992-1998 SFEI Datasheet # LF216 *

SURVEY EVENT INFORMATION

Date: 4/20/96 **Time:** 1200 **SFEI Station ID:** STN0176

Location: Permanente Creek, 100 m upstream from Highway 280

Watershed: Permanente Creek Watershed **County:** Santa Clara **USGS 7.5' Quad:** CUPERTINO

SPECIES LIST AND INDIVIDUAL LENGTHS

Species	Fork Length or Tail Length (mm)
<i>Catostomus occidentalis</i> (Sacramento sucker)	38, 45, 46, 48, 52, 52, 56, 57, 59, 65, 69, 70, 72, 75, 105, 140, 146, 150, 175, 185

FISH COMMUNITY STRUCTURE INDICES

Total Number of Species: 1 **% Native Fish Species:** 100%

SPECIES RATINGS (AS DEFINED BY R.A. LEIDY)

% Native Rating by Abundance (0-3): 2 **Salmonid Abundance (0-3):** 0

Total year-of-young in sample (0-3): 1 **Sculpin Abundance (0-3):** 0

* NOTE: This page presents selected data from one of R.A. Leidy's original field datasheets. Please see accompanying documentation for explanations of the data and their treatment. Species are listed in phylogenetic order.

Robert A. Leidy Fish Survey 1992-1998

SFEI Datasheet # LF217 *

SURVEY EVENT INFORMATION

Date: 4/20/96

Time: 1600

SFEI Station ID: STN0177

Location: Permanente Creek, 50 m upstream from Charleston Road, downstream of US 101

Watershed: Permanente Creek Watershed

County: Santa Clara

USGS 7.5' Quad: MOUNTAIN VIEW

SPECIES LIST AND INDIVIDUAL LENGTHS

Species	Fork Length or Tail Length (mm)
<i>Cyprinus carpio</i> (Carp)	350
<i>Lavinia symmetricus</i> (California roach)	52, 52, 52, 56, 60, 61, 61, 62, 62, 62, 62, 63, 63, 64, 65, 68, 68, 70, 71, 73, 82 (plus 200 observed within size range)
<i>Lucania parva</i> (Rainwater killifish)	25, 26, 31, 33, 34, 34, 38, 39, 40, 40, 50
<i>Gasterosteus aculeatus</i> (Threespine stickleback)	34, 38, 38, 38, 40, 42, 44, 44, 46, 47, 47, 48, 50, 52, 52, 52, 52, 52, 53, 55, 55, 55, 55, 55, 56, 56, 58, 66 (plus 100 within size range)

FISH COMMUNITY STRUCTURE INDICES

Total Number of Species: 4

% Native Fish Species: 50%

SPECIES RATINGS (AS DEFINED BY R.A. LEIDY)

% Native Rating by Abundance (0-3): 3

Salmonid Abundance (0-3): 0

Total year-of-young in sample (0-3): 1

Sculpin Abundance (0-3): 0

* NOTE: This page presents selected data from one of R.A. Leidy's original field datasheets. Please see accompanying documentation for explanations of the data and their treatment. Species are listed in phylogenetic order.

Robert A. Leidy Fish Survey 1992-1998

SFEI Datasheet # LF218 *

SURVEY EVENT INFORMATION

Date: 6/3/97 **Time:** 0950 **SFEI Station ID:** STN0199

Location: San Felipe Creek, approximately 3.5 km upstream from San Felipe Ranch House, 100 m upstream from where road leaves San Felipe Creek, San Felipe Valley

Watershed: Coyote Creek Watershed **County:** Santa Clara **USGS 7.5' Quad:** LICK OBSERVATORY

SPECIES LIST AND INDIVIDUAL LENGTHS

Species	Fork Length or Tail Length (mm)
<i>Oncorhynchus mykiss</i> (Rainbow trout)	40, 42, 42, 44, 50, 51, 52, 53, 54, 55, 56, 56, 57, 58, 58, 60, 61, 62, 67, 71, 72, 138, 142, 146, 152, 155, 220
<i>Lavinia symmetricus</i> (California roach)	50, 55, 60, 62, 62, 65, 68, 68, 75, 78, 78, 80, 80, 85, 86, 98, 115, 124, 126
<i>Catostomus occidentalis</i> (Sacramento sucker)	160
<i>Cottus gulosus</i> (Riffle sculpin)	26, 60, 77, 100

FISH COMMUNITY STRUCTURE INDICES

Total Number of Species: 4 **% Native Fish Species:** 100%

SPECIES RATINGS (AS DEFINED BY R.A. LEIDY)

% Native Rating by Abundance (0-3): 3 **Salmonid Abundance (0-3):** 3

Total year-of-young in sample (0-3): 2 **Sculpin Abundance (0-3):** 1

* NOTE: This page presents selected data from one of R.A. Leidy's original field datasheets. Please see accompanying documentation for explanations of the data and their treatment. Species are listed in phylogenetic order.

Robert A. Leidy Fish Survey 1992-1998 SFEI Datasheet # LF219 *

SURVEY EVENT INFORMATION

Date: 7/25/97 **Time:** 0920 **SFEI Station ID:** STN0197
Location: San Felipe Creek, 0.5 km downstream from confluence of Cow Creek (San Felipe Ranch)
Watershed: Coyote Creek Watershed **County:** Santa Clara **USGS 7.5' Quad:** LICK OBSERVATORY

SPECIES LIST AND INDIVIDUAL LENGTHS

Species	Fork Length or Tail Length (mm)
<i>Oncorhynchus mykiss</i> (Rainbow trout)	68, 76, 87
<i>Lavinia symmetricus</i> (California roach)	29, 29, 30, 31, 31, 32, 65, 69, 70, 70, 72, 72, 72, 74, 80, 80, 80, 86, 86 (plus approx. 100 within size range)
<i>Catostomus occidentalis</i> (Sacramento sucker)	30, 46, 52, 116, 121, 195, 240, 250
<i>Cottus gulosus</i> (Riffle sculpin)	29, 32, 32, 32, 33, 34, 35, 37, 38, 38, 39, 40, 40, 40, 40, 41, 42, 43, 44, 47, 48, 52, 62, 64, 66, 71, 73

FISH COMMUNITY STRUCTURE INDICES

Total Number of Species: 4 **% Native Fish Species:** 100%

SPECIES RATINGS (AS DEFINED BY R.A. LEIDY)

% Native Rating by Abundance (0-3): 3 **Salmonid Abundance (0-3):** 2
Total year-of-young in sample (0-3): 3 **Sculpin Abundance (0-3):** 3

* NOTE: This page presents selected data from one of R.A. Leidy's original field datasheets. Please see accompanying documentation for explanations of the data and their treatment. Species are listed in phylogenetic order.

Robert A. Leidy Fish Survey 1992-1998

SFEI Datasheet # LF220 *

SURVEY EVENT INFORMATION

Date: 7/25/97 **Time:** 1140 **SFEI Station ID:** STN0198

Location: San Felipe Creek, approximately 1.5 km downstream from confluence with Cow Creek, San Felipe Ranch

Watershed: Coyote Creek Watershed **County:** Santa Clara **USGS 7.5' Quad:** MORGAN HILL

SPECIES LIST AND INDIVIDUAL LENGTHS

Species	Fork Length or Tail Length (mm)
<i>Oncorhynchus mykiss</i> (Rainbow trout)	46, 62, 68, 70, 75, 76, 78, 80, 85, 175, 195
<i>Lavinia symmetricus</i> (California roach)	28, 30, 41, 42, 56, 60, 62, 63, 65, 65, 66, 68, 70, 71, 72, 72, 72, 76, 78 (plus 200 within size range)
<i>Catostomus occidentalis</i> (Sacramento sucker)	48, 50, 50, 51, 116, 117, 120, 122, 130, 136
<i>Cottus gulosus</i> (Rifle sculpin)	32, 38, 41, 41, 41, 41, 42, 42, 45, 46, 48, 51, 62, 63, 63, 63, 65, 65, 65, 67, 71, 72, 76, 76, 77, 81, 86, 87, 91, 92 (plus 50 within size range)

FISH COMMUNITY STRUCTURE INDICES

Total Number of Species: 4 **% Native Fish Species:** 100%

SPECIES RATINGS (AS DEFINED BY R.A. LEIDY)

% Native Rating by Abundance (0-3): 3 **Salmonid Abundance (0-3):** 2

Total year-of-young in sample (0-3): 2 **Sculpin Abundance (0-3):** 3

* NOTE: This page presents selected data from one of R.A. Leidy's original field datasheets. Please see accompanying documentation for explanations of the data and their treatment. Species are listed in phylogenetic order.

Robert A. Leidy Fish Survey 1992-1998 SFEI Datasheet # LF222 *

SURVEY EVENT INFORMATION

Date: 1/28/94 **Time:** 1100 **SFEI Station ID:** STN0202
Location: San Francisquito Creek, approximately 50 m upstream from Piers Bridge (at confluence with Los Trancos Creek)
Watershed: San Francisquito Creek Watershed **County:** San Mateo Santa Clara **USGS 7.5' Quad:** PALO ALTO

SPECIES LIST AND INDIVIDUAL LENGTHS

Species	Fork Length or Tail Length (mm)
<i>Lavinia symmetricus</i> (California roach)	40, 50
<i>Gasterosteus aculeatus</i> (Threespine stickleback)	36, 38, 41, 44

FISH COMMUNITY STRUCTURE INDICES

Total Number of Species: 2 **% Native Fish Species:** 100%

SPECIES RATINGS (AS DEFINED BY R.A. LEIDY)

% Native Rating by Abundance (0-3): 1 **Salmonid Abundance (0-3):** 0

Total year-of-young in sample (0-3): 1 **Sculpin Abundance (0-3):** 0

* NOTE: This page presents selected data from one of R.A. Leidy's original field datasheets. Please see accompanying documentation for explanations of the data and their treatment. Species are listed in phylogenetic order.

Robert A. Leidy Fish Survey 1992-1998 SFEI Datasheet # LF223 *

SURVEY EVENT INFORMATION

Date: 9/22/94 **Time:** 1500 **SFEI Station ID:** STN0201
Location: San Francisquito Creek, approximately 15 m downstream from Sand Hill Road crossing (opposite apartments)
Watershed: San Francisquito Creek Watershed **County:** San Mateo Santa Clara **USGS 7.5' Quad:** PALO ALTO

SPECIES LIST AND INDIVIDUAL LENGTHS

Species	Fork Length or Tail Length (mm)
<i>Oncorhynchus mykiss</i> (Rainbow trout)	212
<i>Lavinia symmetricus</i> (California roach)	22, 28, 31, 41, 45, 46, 47, 48, 50, 51, 52, 53, 58, 58, 63, 65, 68, 69 (plus 150 observed within size range)
<i>Catostomus occidentalis</i> (Sacramento sucker)	91, 93, 100, 100, 155, 160, 175, 198, 200, 203, 220, 230, 305 (plus 25 observed within size range)

FISH COMMUNITY STRUCTURE INDICES

Total Number of Species: 3 **% Native Fish Species:** 100%

SPECIES RATINGS (AS DEFINED BY R.A. LEIDY)

% Native Rating by Abundance (0-3): 3	Salmonid Abundance (0-3): 1
Total year-of-young in sample (0-3): 1	Sculpin Abundance (0-3): 0

* NOTE: This page presents selected data from one of R.A. Leidy's original field datasheets. Please see accompanying documentation for explanations of the data and their treatment. Species are listed in phylogenetic order.

Robert A. Leidy Fish Survey 1992-1998 SFEI Datasheet # LF224 *

SURVEY EVENT INFORMATION

Date: 4/21/96 **Time:** 1120 **SFEI Station ID:** STN0215
Location: Saratoga Creek, immediately downstream from 4th Street bridge
Watershed: Saratoga Creek Watershed **County:** Santa Clara **USGS 7.5' Quad:** CUPERTINO

SPECIES LIST AND INDIVIDUAL LENGTHS

Species	Fork Length or Tail Length (mm)
<i>Oncorhynchus mykiss</i> (Rainbow trout)	89, 92, 99, 105, 105, 110, 111, 112, 112, 135, 135, 160
<i>Catostomus occidentalis</i> (Sacramento sucker)	55, 70, 72, 79, 80, 93, 98

FISH COMMUNITY STRUCTURE INDICES

Total Number of Species: 2 **% Native Fish Species:** 100%

SPECIES RATINGS (AS DEFINED BY R.A. LEIDY)

% Native Rating by Abundance (0-3): 3 **Salmonid Abundance (0-3):** 3
Total year-of-young in sample (0-3): 0 **Sculpin Abundance (0-3):** 0

* NOTE: This page presents selected data from one of R.A. Leidy's original field datasheets. Please see accompanying documentation for explanations of the data and their treatment. Species are listed in phylogenetic order.

Robert A. Leidy Fish Survey 1992-1998
SFEI Datasheet # LF225 *

SURVEY EVENT INFORMATION

Date: 4/21/96 **Time:** 1300 **SFEI Station ID:** STN0214
Location: Saratoga Creek, from Via Monte Drive bridge, downstream 30 m
Watershed: Saratoga Creek Watershed **County:** Santa Clara **USGS 7.5' Quad:** CUPERTINO

SPECIES LIST AND INDIVIDUAL LENGTHS

Species	Fork Length or Tail Length (mm)
<i>Oncorhynchus mykiss</i> (Rainbow trout)	110, 115, 116, 122, 122, 124, 126, 126, 127, 128, 131, 135, 146, 152, 157, 172, 183, 200

FISH COMMUNITY STRUCTURE INDICES

Total Number of Species: 1 **% Native Fish Species:** 100%

SPECIES RATINGS (AS DEFINED BY R.A. LEIDY)

% Native Rating by Abundance (0-3): 3 **Salmonid Abundance (0-3):** 2
Total year-of-young in sample (0-3): 0 **Sculpin Abundance (0-3):** 0

* NOTE: This page presents selected data from one of R.A. Leidy's original field datasheets. Please see accompanying documentation for explanations of the data and their treatment. Species are listed in phylogenetic order.

**Robert A. Leidy Fish Survey 1992-1998
SFEI Datasheet # LF227 ***

SURVEY EVENT INFORMATION

Date: 6/3/97 **Time:** 1400 **SFEI Station ID:** STN0219
Location: Smith Creek, between dirt ranch road crossing, upstream toward Horse Valley Reservoir
Watershed: San Tomas Aquinas Creek **County:** Santa Clara **USGS 7.5' Quad:** ISABEL VALLEY
 Watershed

SPECIES LIST AND INDIVIDUAL LENGTHS

Species	Fork Length or Tail Length (mm)
<i>Oncorhynchus mykiss</i> (Rainbow trout)	42, 45, 46, 46, 50, 50, 50, 50, 52 (plus 50 observed within size range)
<i>Lavinia symmetricus</i> (California roach)	52, 55, 61, 65, 76, 81, 82 (plus 10 observed within size range)
<i>Catostomus occidentalis</i> (Sacramento sucker)	150, 205

FISH COMMUNITY STRUCTURE INDICES

Total Number of Species: 3 **% Native Fish Species:** 100%

SPECIES RATINGS (AS DEFINED BY R.A. LEIDY)

% Native Rating by Abundance (0-3): 3 **Salmonid Abundance (0-3):** 3

Total year-of-young in sample (0-3): 3 **Sculpin Abundance (0-3):** 0

* NOTE: This page presents selected data from one of R.A. Leidy's original field datasheets. Please see accompanying documentation for explanations of the data and their treatment. Species are listed in phylogenetic order.

Robert A. Leidy Fish Survey 1992-1998

SFEI Datasheet # LF228 *

SURVEY EVENT INFORMATION

Date: 9/22/94 **Time:** none **SFEI Station ID:** STN0236
Location: Stevens Creek, at McClellan Ranch Park, 20 m downstream from McClellan Road crossing
Watershed: Stevens Creek Watershed **County:** Santa Clara **USGS 7.5' Quad:** CUPERTINO

SPECIES LIST AND INDIVIDUAL LENGTHS

Species	Fork Length or Tail Length (mm)
<i>Oncorhynchus mykiss</i> (Rainbow trout)	55, 55, 55, 55, 65, 65, 68, 75, 76, 78, 88, 99, 100, 100, 105, 105, 110, 110, 120, 123, 128, 143, 240
<i>Lavinia symmetricus</i> (California roach)	95
<i>Catostomus occidentalis</i> (Sacramento sucker)	75, 110, 110, 140, 220, 235
<i>Gasterosteus aculeatus</i> (Threespine stickleback)	15, 16, 21, 28, 35, 38, 40, 42, 42

FISH COMMUNITY STRUCTURE INDICES

Total Number of Species: 4 **% Native Fish Species:** 100%

SPECIES RATINGS (AS DEFINED BY R.A. LEIDY)

% Native Rating by Abundance (0-3): 3 **Salmonid Abundance (0-3):** 2
Total year-of-young in sample (0-3): 2 **Sculpin Abundance (0-3):** 0

* NOTE: This page presents selected data from one of R.A. Leidy's original field datasheets. Please see accompanying documentation for explanations of the data and their treatment. Species are listed in phylogenetic order.

Robert A. Leidy Fish Survey 1992-1998 SFEI Datasheet # LF229 *

SURVEY EVENT INFORMATION

Date: 9/22/94

Time: none

SFEI Station ID: STN0238

Location: Stevens Creek, just downstream of Monte Bello Preserve, at end of Stevens Creek Canyon Road

Watershed: Stevens Creek Watershed

County: Santa Clara

USGS 7.5' Quad: MINDEGO HILL

SPECIES LIST AND INDIVIDUAL LENGTHS

Species	Fork Length or Tail Length (mm)
<i>Oncorhynchus mykiss</i> (Rainbow trout)	46, 50, 55, 66, 88, 91, 95, 100, 120, 120, 125, 130, 140, 155, 155, 170

FISH COMMUNITY STRUCTURE INDICES

Total Number of Species: 1 % Native Fish Species: 100%

SPECIES RATINGS (AS DEFINED BY R.A. LEIDY)

% Native Rating by Abundance (0-3): 1 Salmonid Abundance (0-3): 1

Total year-of-young in sample (0-3): 1 Sculpin Abundance (0-3): 0

* NOTE: This page presents selected data from one of R.A. Leidy's original field datasheets. Please see accompanying documentation for explanations of the data and their treatment. Species are listed in phylogenetic order.

Robert A. Leidy Fish Survey 1992-1998

SFEI Datasheet # LF230 *

SURVEY EVENT INFORMATION

Date: 9/22/94 **Time:** 1200 **SFEI Station ID:** STN0235
Location: Stevens Creek, at Chestnut Picnic Area, below Stevens Creek dam, upstream of footbridge
Watershed: Stevens Creek Watershed **County:** Santa Clara **USGS 7.5' Quad:** CUPERTINO

SPECIES LIST AND INDIVIDUAL LENGTHS

Species	Fork Length or Tail Length (mm)
<i>Oncorhynchus mykiss</i> (Rainbow trout)	60, 65, 100, 105, 120, 120, 170
<i>Lavinia symmetricus</i> (California roach)	45, 60, 63, 63, 65, 65, 68, 68, 68, 75, 75, 75, 76, 80, 80, 80, 85, 85
<i>Catostomus occidentalis</i> (Sacramento sucker)	140, 170, 170, 180, 220, 225, 235, 255

FISH COMMUNITY STRUCTURE INDICES

Total Number of Species: 3 **% Native Fish Species:** 100%

SPECIES RATINGS (AS DEFINED BY R.A. LEIDY)

% Native Rating by Abundance (0-3): 3 **Salmonid Abundance (0-3):** 1
Total year-of-young in sample (0-3): 2 **Sculpin Abundance (0-3):** 0

* NOTE: This page presents selected data from one of R.A. Leidy's original field datasheets. Please see accompanying documentation for explanations of the data and their treatment. Species are listed in phylogenetic order.

Robert A. Leidy Fish Survey 1992-1998 SFEI Datasheet # LF231 *

SURVEY EVENT INFORMATION

Date: 9/22/94

Time: none

SFEI Station ID: STN0234

Location: Stevens Creek, above reservoir, at Cooley Picnic Area

Watershed: Stevens Creek Watershed

County: Santa Clara

USGS 7.5' Quad: CUPERTINO

SPECIES LIST AND INDIVIDUAL LENGTHS

Species	Fork Length or Tail Length (mm)
<i>Oncorhynchus mykiss</i> (Rainbow trout)	50, 60, 63, 63, 65, 68, 68, 72, 80, 125, 125, 140
<i>Lavinia symmetricus</i> (California roach)	22, 38, 45, 45, 48
<i>Catostomus occidentalis</i> (Sacramento sucker)	65, 65, 85

FISH COMMUNITY STRUCTURE INDICES

Total Number of Species: 3

% Native Fish Species: 100%

SPECIES RATINGS (AS DEFINED BY R.A. LEIDY)

% Native Rating by Abundance (0-3): 3

Salmonid Abundance (0-3): 1

Total year-of-young in sample (0-3): 2

Sculpin Abundance (0-3): 0

* NOTE: This page presents selected data from one of R.A. Leidy's original field datasheets. Please see accompanying documentation for explanations of the data and their treatment. Species are listed in phylogenetic order.

Robert A. Leidy Fish Survey 1992-1998

SFEI Datasheet # LF234 *

SURVEY EVENT INFORMATION

Date: 4/8/94 **Time:** 1000 **SFEI Station ID:** STN0118

Location: Green Valley Creek, from railroad bridge upstream to Cordelia Road bridge

Watershed: Green Valley Creek Watershed **County:** Solano **USGS 7.5' Quad:** CORDELIA

SPECIES LIST AND INDIVIDUAL LENGTHS

Species	Fork Length or Tail Length (mm)
<i>Lucania parva</i> (Rainwater killifish)	25, 28, 30
<i>Gasterosteus aculeatus</i> (Threespine stickleback)	19, 33
<i>Cottus asper</i> (Prickly sculpin)	26, 28, 28, 28, 29, 30, 30, 30, 30, 30, 30, 30, 30, 30, 30, 32, 32, 32, 32, 32, 34, 34, 34, 35, 35, 35, 35, 36, 36, 37, 68, 82, 83 (plus 50 collected within size range)

FISH COMMUNITY STRUCTURE INDICES

Total Number of Species: 3 **% Native Fish Species:** 67%

SPECIES RATINGS (AS DEFINED BY R.A. LEIDY)

% Native Rating by Abundance (0-3): 3 **Salmonid Abundance (0-3):** 0

Total year-of-young in sample (0-3): 3 **Sculpin Abundance (0-3):** 3

* NOTE: This page presents selected data from one of R.A. Leidy's original field datasheets. Please see accompanying documentation for explanations of the data and their treatment. Species are listed in phylogenetic order.

Robert A. Leidy Fish Survey 1992-1998 SFEI Datasheet # LF235 *

SURVEY EVENT INFORMATION

Date: 7/27/96 **Time:** 1300 **SFEI Station ID:** STN0115
Location: Green Valley Creek, immediately upstream of Highway 80 frontage road, upstream side of Highway 80
Watershed: Green Valley Creek Watershed **County:** Solano **USGS 7.5' Quad:** CORDELIA

SPECIES LIST AND INDIVIDUAL LENGTHS

Species	Fork Length or Tail Length (mm)
<i>Cyprinus carpio</i> (Carp)	150
<i>Ptychocheilus grandis</i> (Sacramento squawfish)	186
<i>Lavinia symmetricus</i> (California roach)	55, 65, 65, 67, 68, 68, 68, 70, 70, 72, 72, 75, 75, 75, 75, 76, 80, 80, 80, 80, 82, 82, 82, 82, 83, 85, 93, 95, 100, 115 (plus approx. 1000 within size range)
<i>Catostomus occidentalis</i> (Sacramento sucker)	94, 105, 115
<i>Gambusia affinis</i> (Western mosquitofish)	30, 32, 35, 37, 37, 38, 39, 40, 41, 41, 41, 41, 42, 46, 47, 50, 51 (plus 200 within size range)
<i>Gasterosteus aculeatus</i> (Threespine stickleback)	34, 35, 36, 36, 38, 38, 38, 39, 40, 40, 40, 40, 40, 41, 42, 44, 45, 45, 46, 46, 46, 46, 50, 51, 52, 56 (plus approx. 100 within size range)
<i>Hysterocarpus traskii</i> (Tule perch)	56, 57, 62, 73, 75, 76, 79, 80, 80, 82, 105 (plus 10 within size range)
<i>Cottus asper</i> (Prickly sculpin)	40, 50, 52, 53, 56, 56, 56, 59, 60, 61, 62, 66, 81, 86, 90, 111, 112 (plus approx. 50 within size range)

FISH COMMUNITY STRUCTURE INDICES

Total Number of Species: 8 **% Native Fish Species:** 75%

SPECIES RATINGS (AS DEFINED BY R.A. LEIDY)

% Native Rating by Abundance (0-3): 3 **Salmonid Abundance (0-3):** 0
Total year-of-young in sample (0-3): 3 **Sculpin Abundance (0-3):** 3

* NOTE: This page presents selected data from one of R.A. Leidy's original field datasheets. Please see accompanying documentation for explanations of the data and their treatment. Species are listed in phylogenetic order.

Robert A. Leidy Fish Survey 1992-1998 SFEI Datasheet # LF236 *

SURVEY EVENT INFORMATION

Date: 1/16/97 **Time:** 1045 **SFEI Station ID:** STN0117
Location: Green Valley Creek, upstream from Country Club Road crossing
Watershed: Green Valley Creek Watershed **County:** Solano **USGS 7.5' Quad:** MT GEORGE

SPECIES LIST AND INDIVIDUAL LENGTHS

Species	Fork Length or Tail Length (mm)
<i>Oncorhynchus mykiss</i> (Rainbow trout)	92, 92, 480
<i>Lavinia symmetricus</i> (California roach)	46, 53, 54, 55, 60, 62, 64, 64, 66, 70, 70, 71, 71, 72, 72, 73, 74, 75, 76, 79, 79, 80, 81, 83, 83, 85, 90
<i>Cottus gulosus</i> (Riffle sculpin)	58, 62, 64, 66, 66, 69, 72, 72, 73, 76, 76, 80, 80, 82, 82, 82, 84, 85

FISH COMMUNITY STRUCTURE INDICES

Total Number of Species: 3 **% Native Fish Species:** 100%
 SPECIES RATINGS (AS DEFINED BY R.A. LEIDY)
% Native Rating by Abundance (0-3): 2 **Salmonid Abundance (0-3):** 1
Total year-of-young in sample (0-3): 1 **Sculpin Abundance (0-3):** 2

* NOTE: This page presents selected data from one of R.A. Leidy's original field datasheets. Please see accompanying documentation for explanations of the data and their treatment. Species are listed in phylogenetic order.

Robert A. Leidy Fish Survey 1992-1998

SFEI Datasheet # LF237 *

SURVEY EVENT INFORMATION

Date: 1/16/97 **Time:** 1300 **SFEI Station ID:** STN0113

Location: Green Valley Creek, at Mason Road bridge, downstream 30 m to upstream side of bridge

Watershed: Green Valley Creek Watershed **County:** Solano **USGS 7.5' Quad:** CORDELIA

SPECIES LIST AND INDIVIDUAL LENGTHS

Species	Fork Length or Tail Length (mm)
<i>Oncorhynchus mykiss</i> (<i>Rainbow trout</i>)	100, 150
<i>Lavinia symmetricus</i> (<i>California roach</i>)	32, 39, 69
<i>Gasterosteus aculeatus</i> (<i>Threespine stickleback</i>)	42, 45
<i>Cottus gulosus</i> (<i>Riffle sculpin</i>)	71, 72, 75, 76, 78, 80, 86

FISH COMMUNITY STRUCTURE INDICES

Total Number of Species: 4 **% Native Fish Species:** 100%

SPECIES RATINGS (AS DEFINED BY R.A. LEIDY)

% Native Rating by Abundance (0-3): 2 **Salmonid Abundance (0-3):** 1

Total year-of-young in sample (0-3): 1 **Sculpin Abundance (0-3):** 2

* NOTE: This page presents selected data from one of R.A. Leidy's original field datasheets. Please see accompanying documentation for explanations of the data and their treatment. Species are listed in phylogenetic order.

Robert A. Leidy Fish Survey 1992-1998 SFEI Datasheet # LF238 *

SURVEY EVENT INFORMATION

Date: 1/16/97

Time: 1415

SFEI Station ID: STN0114

Location: Green Valley Creek, at Pavillion Drive off of Mangelo Boulevard, approximately 0.4 km downstream from Reservoir Road bridge crossing in "new" housing development

Watershed: Green Valley Creek Watershed

County: Solano

USGS 7.5' Quad: CORDELIA

SPECIES LIST AND INDIVIDUAL LENGTHS

Species	Fork Length or Tail Length (mm)
<i>Oncorhynchus mykiss</i> (Rainbow trout)	102
<i>Lavinia symmetricus</i> (California roach)	50, 72, 72, 78, 80, 81, 85, 95
<i>Gasterosteus aculeatus</i> (Threespine stickleback)	48
<i>Cottus asper</i> (Prickly sculpin)	55, 60, 64, 81, 82
<i>Cottus gulosus</i> (Riffle sculpin)	51

FISH COMMUNITY STRUCTURE INDICES

Total Number of Species: 5 **% Native Fish Species:** 100%

SPECIES RATINGS (AS DEFINED BY R.A. LEIDY)

% Native Rating by Abundance (0-3): 2 **Salmonid Abundance (0-3):** 1

Total year-of-young in sample (0-3): 1 **Sculpin Abundance (0-3):** 1

* NOTE: This page presents selected data from one of R.A. Leidy's original field datasheets. Please see accompanying documentation for explanations of the data and their treatment. Species are listed in phylogenetic order.

Robert A. Leidy Fish Survey 1992-1998 SFEI Datasheet # LF239 *

SURVEY EVENT INFORMATION

Date: 4/8/98 **Time:** 1100 **SFEI Station ID:** STN0116
Location: Green Valley Creek, opposite Goodwill outlet at end of Grobrie Road at Central Way, Cordelia (below Interstate 80)
Watershed: Green Valley Creek Watershed **County:** Solano **USGS 7.5' Quad:** CORDELIA

SPECIES LIST AND INDIVIDUAL LENGTHS

Species	Fork Length or Tail Length (mm)
<i>Gambusia affinis</i> (Western mosquitofish)	37, 40
<i>Gasterosteus aculeatus</i> (Threespine stickleback)	35
<i>Hysterocharpus traskii</i> (Tule perch)	95
<i>Cottus asper</i> (Prickly sculpin)	25, 26, 27, 27, 28, 28, 28, 30, 30, 32, 33, 35, 36, 36, 37, 38, 38, 40, 40, 40, 41, 41, 42, 43, 47, 53, 60, 60, 68, 70 (plus 50 collected at 25-65 mm TL)

FISH COMMUNITY STRUCTURE INDICES

Total Number of Species: 4 **% Native Fish Species:** 75%

SPECIES RATINGS (AS DEFINED BY R.A. LEIDY)

% Native Rating by Abundance (0-3): 2 **Salmonid Abundance (0-3):** 0
Total year-of-young in sample (0-3): 3 **Sculpin Abundance (0-3):** 3

* NOTE: This page presents selected data from one of R.A. Leidy's original field datasheets. Please see accompanying documentation for explanations of the data and their treatment. Species are listed in phylogenetic order.

Robert A. Leidy Fish Survey 1992-1998
SFEI Datasheet # LF240 *

SURVEY EVENT INFORMATION

Date: 7/27/96 **Time:** 1000 **SFEI Station ID:** STN0243
Location: Unnamed Creek (South of Cordelia), 100 m upstream from Highway 680 frontage Road crossing along park
Watershed: Unnamed Watershed (South of Cordelia) **County:** Solano **USGS 7.5' Quad:** CORDELIA

SPECIES LIST AND INDIVIDUAL LENGTHS

Species	Fork Length or Tail Length (mm)
<i>Lavinia symmetricus (California roach)</i>	31, 34, 34, 35, 35, 35, 35, 36, 38, 38, 40, 41, 42, 42, 46, 51, 51, 52, 55, 55, 55, 60, 61, 62, 62, 63, 64, 68, 70, 79 (plus 50 observed within size range)
<i>Catostomus occidentalis (Sacramento sucker)</i>	35, 42, 46, 49, 51, 52, 72
<i>Gasterosteus aculeatus (Threespine stickleback)</i>	30, 31, 34, 35, 38, 38, 41, 42, 42
<i>Cottus asper (Prickly sculpin)</i>	44, 52, 53, 60, 65, 65, 80

FISH COMMUNITY STRUCTURE INDICES

Total Number of Species: 4 **% Native Fish Species:** 100%
SPECIES RATINGS (AS DEFINED BY R.A. LEIDY)
% Native Rating by Abundance (0-3): 3 **Salmonid Abundance (0-3):** 0
Total year-of-young in sample (0-3): 3 **Sculpin Abundance (0-3):** 3

* NOTE: This page presents selected data from one of R.A. Leidy's original field datasheets. Please see accompanying documentation for explanations of the data and their treatment. Species are listed in phylogenetic order.

Robert A. Leidy Fish Survey 1992-1998

SFEI Datasheet # LF241 *

SURVEY EVENT INFORMATION

Date: 1/21/97	Time: none	SFEI Station ID: STN0244
Location: Unnamed Creek (South of Cordelia), 300 m upstream from Highway 680 frontage road crossing		
Watershed: Unnamed Watershed (South of Cordelia)	County: Solano	USGS 7.5' Quad: CORDELIA

SPECIES LIST AND INDIVIDUAL LENGTHS

Species	Fork Length or Tail Length (mm)
<i>Lavinia symmetricus</i> (California roach)	40, 40, 41, 42, 42, 48, 56, 62, 65, 66, 67, 72, 85
<i>Catostomus occidentalis</i> (Sacramento sucker)	400
<i>Cottus asper</i> (Prickly sculpin)	65, 78, 78, 83, 90, 92

FISH COMMUNITY STRUCTURE INDICES

Total Number of Species: 3	% Native Fish Species: 100%
-----------------------------------	------------------------------------

SPECIES RATINGS (AS DEFINED BY R.A. LEIDY)

% Native Rating by Abundance (0-3): 2	Salmonid Abundance (0-3): 0
Total year-of-young in sample (0-3): 2	Sculpin Abundance (0-3): 2

* NOTE: This page presents selected data from one of R.A. Leidy's original field datasheets. Please see accompanying documentation for explanations of the data and their treatment. Species are listed in phylogenetic order.

Robert A. Leidy Fish Survey 1992-1998 SFEI Datasheet # LF242 *

SURVEY EVENT INFORMATION

Date: 11/5/97

Time: 1430

SFEI Station ID: STN0001

Location: Adobe Creek (Sonoma County), approximately 100 m upstream from footbridge at Rancho Adobe State Park parking lot (upstream of Adobe Road)

Watershed: Petaluma River Watershed

County: Sonoma

USGS 7.5' Quad: GLEN ELLEN

SPECIES LIST AND INDIVIDUAL LENGTHS

Species	Fork Length or Tail Length (mm)
<i>Oncorhynchus mykiss</i> (Rainbow trout)	74, 78, 83, 84, 88, 88, 90, 91, 93, 97, 97, 104, 108, 112, 132, 185, 198

FISH COMMUNITY STRUCTURE INDICES

Total Number of Species: 1 **% Native Fish Species:** 100%

SPECIES RATINGS (AS DEFINED BY R.A. LEIDY)

% Native Rating by Abundance (0-3): 3 **Salmonid Abundance (0-3):** 2

Total year-of-young in sample (0-3): 1 **Sculpin Abundance (0-3):** 0

* NOTE: This page presents selected data from one of R.A. Leidy's original field datasheets. Please see accompanying documentation for explanations of the data and their treatment. Species are listed in phylogenetic order.

Robert A. Leidy Fish Survey 1992-1998
SFEI Datasheet # LF243 *

SURVEY EVENT INFORMATION

Date: 7/23/93 **Time:** 0930 **SFEI Station ID:** STN0061
Location: Bear Creek, 20 m upstream from confluence with Sonoma Creek, at Mt. Hood trailhead, in Sugarloaf Ridge State Park
Watershed: Sonoma Creek Watershed **County:** Sonoma **USGS 7.5' Quad:** KENWOOD

SPECIES LIST AND INDIVIDUAL LENGTHS

Species	Fork Length or Tail Length (mm)
<i>Oncorhynchus mykiss (Rainbow trout)</i>	38, 42, 46, 73, 76, 82, 89, 89, 134, 158, 168, 208 (plus 25 observed within size range)
<i>Cottus gulosus (Riffle sculpin)</i>	64, 75

FISH COMMUNITY STRUCTURE INDICES

Total Number of Species: 2 **% Native Fish Species:** 100%

SPECIES RATINGS (AS DEFINED BY R.A. LEIDY)

% Native Rating by Abundance (0-3): 3 **Salmonid Abundance (0-3):** 3

Total year-of-young in sample (0-3): 0 **Sculpin Abundance (0-3):** 2

* NOTE: This page presents selected data from one of R.A. Leidy's original field datasheets. Please see accompanying documentation for explanations of the data and their treatment. Species are listed in phylogenetic order.

Robert A. Leidy Fish Survey 1992-1998

SFEI Datasheet # LF244 *

SURVEY EVENT INFORMATION

Date: 9/1/93 **Time:** 1400 **SFEI Station ID:** STN0062

Location: Bear Creek, approximately 100 m upstream from Mt. Hood Trail divergence from stream

Watershed: Sonoma Creek Watershed **County:** Sonoma **USGS 7.5' Quad:** KENWOOD

SPECIES LIST AND INDIVIDUAL LENGTHS

Species	Fork Length or Tail Length (mm)
<i>Oncorhynchus mykiss</i> (Rainbow trout)	35, 35, 42, 45, 45, 50, 53, 55, 57, 60, 60, 60, 65, 67, 68, 70, 72, 72, 75, 77, 80, 82, 85, 85, 164

FISH COMMUNITY STRUCTURE INDICES

Total Number of Species: 1 **% Native Fish Species:** 100%

SPECIES RATINGS (AS DEFINED BY R.A. LEIDY)

% Native Rating by Abundance (0-3): 3 **Salmonid Abundance (0-3):** 2

Total year-of-young in sample (0-3): 3 **Sculpin Abundance (0-3):** 0

* NOTE: This page presents selected data from one of R.A. Leidy's original field datasheets. Please see accompanying documentation for explanations of the data and their treatment. Species are listed in phylogenetic order.

Robert A. Leidy Fish Survey 1992-1998

SFEI Datasheet # LF245 *

SURVEY EVENT INFORMATION

Date: 6/16/93 **Time:** 1000 **SFEI Station ID:** STN0068
Location: Calabazas Creek, Atwood Ranch, from pumphouse well, downstream 30 m
Watershed: Sonoma Creek Watershed **County:** Sonoma **USGS 7.5' Quad:** KENWOOD

SPECIES LIST AND INDIVIDUAL LENGTHS

Species	Fork Length or Tail Length (mm)
<i>Oncorhynchus mykiss</i> (Rainbow trout)	40, 45, 48, 48, 52, 58, 58, 76, 78, 80, 82, 84, 86, 88, 88
<i>Cottus gulosus</i> (Riffle sculpin)	27, 70, 71, 90, 101

FISH COMMUNITY STRUCTURE INDICES

Total Number of Species: 2 **% Native Fish Species:** 100%

SPECIES RATINGS (AS DEFINED BY R.A. LEIDY)

% Native Rating by Abundance (0-3): 3 **Salmonid Abundance (0-3):** 2
Total year-of-young in sample (0-3): 2 **Sculpin Abundance (0-3):** 3

* NOTE: This page presents selected data from one of R.A. Leidy's original field datasheets. Please see accompanying documentation for explanations of the data and their treatment. Species are listed in phylogenetic order.

Robert A. Leidy Fish Survey 1992-1998

SFEI Datasheet # LF246 *

SURVEY EVENT INFORMATION

Date: 6/16/93 **Time:** 1100 **SFEI Station ID:** STN0069

Location: Calabazas Creek, Atwood Ranch, from pumphouse well, upstream 30 m

Watershed: Sonoma Creek Watershed **County:** Sonoma **USGS 7.5' Quad:** KENWOOD

SPECIES LIST AND INDIVIDUAL LENGTHS

Species	Fork Length or Tail Length (mm)
<i>Oncorhynchus mykiss</i> (Rainbow trout)	34, 48, 55, 56, 62, 71, 155 (plus 10 observed within size range)
<i>Cottus gulosus</i> (Rifle sculpin)	79, 88, 95, 111, 141

FISH COMMUNITY STRUCTURE INDICES

Total Number of Species: 2 **% Native Fish Species:** 100%

SPECIES RATINGS (AS DEFINED BY R.A. LEIDY)

% Native Rating by Abundance (0-3): 3	Salmonid Abundance (0-3): 2
Total year-of-young in sample (0-3): 2	Sculpin Abundance (0-3): 2

* NOTE: This page presents selected data from one of R.A. Leidy's original field datasheets. Please see accompanying documentation for explanations of the data and their treatment. Species are listed in phylogenetic order.

Robert A. Leidy Fish Survey 1992-1998 SFEI Datasheet # LF247 *

SURVEY EVENT INFORMATION

Date: 6/16/93

Time: 1300

SFEI Station ID: STN0067

Location: Calabazas Creek, Atwood Ranch, from Highway 129 bridge, upstream 30 m

Watershed: Sonoma Creek Watershed

County: Sonoma

USGS 7.5' Quad: KENWOOD

SPECIES LIST AND INDIVIDUAL LENGTHS

Species	Fork Length or Tail Length (mm)
<i>Oncorhynchus mykiss</i> (Rainbow trout)	54, 68, 70, 72
<i>Lavinia symmetricus</i> (California roach)	41, 42, 43, 44, 44, 45, 48, 50, 52, 52, 56, 56, 56, 56, 56, 56, 58, 58, 59, 60, 60, 61, 62, 62, 64, 64, 64, 66, 66, 69, 69, 84, 94
<i>Cottus gulosus</i> (Riffle sculpin)	56, 66, 69, 70, 71, 72, 76, 86, 90, 107 (plus 10 observed within size range)

FISH COMMUNITY STRUCTURE INDICES

Total Number of Species: 3 **% Native Fish Species:** 100%

SPECIES RATINGS (AS DEFINED BY R.A. LEIDY)

% Native Rating by Abundance (0-3): 3 **Salmonid Abundance (0-3):** 1

Total year-of-young in sample (0-3): 1 **Sculpin Abundance (0-3):** 3

* NOTE: This page presents selected data from one of R.A. Leidy's original field datasheets. Please see accompanying documentation for explanations of the data and their treatment. Species are listed in phylogenetic order.

Robert A. Leidy Fish Survey 1992-1998

SFEI Datasheet # LF248 *

SURVEY EVENT INFORMATION

Date: 9/16/93

Time: 1000

SFEI Station ID: STN0070

Location: Calabazas Creek, second highest site above falls on Beltane Ranch

Watershed: Sonoma Creek Watershed

County: Sonoma

USGS 7.5' Quad: RUTHERFORD

SPECIES LIST AND INDIVIDUAL LENGTHS

Species	Fork Length or Tail Length (mm)
<i>No fish recorded</i>	

FISH COMMUNITY STRUCTURE INDICES

Total Number of Species: 0 **% Native Fish Species:** 0%

SPECIES RATINGS (AS DEFINED BY R.A. LEIDY)

% Native Rating by Abundance (0-3): 0 **Salmonid Abundance (0-3):** 0

Total year-of-young in sample (0-3): 0 **Sculpin Abundance (0-3):** 0

* NOTE: This page presents selected data from one of R.A. Leidy's original field datasheets. Please see accompanying documentation for explanations of the data and their treatment. Species are listed in phylogenetic order.

Robert A. Leidy Fish Survey 1992-1998

SFEI Datasheet # LF249 *

SURVEY EVENT INFORMATION

Date: 9/16/93

Time: 1230

SFEI Station ID: STN0065

Location: Calabazas Creek, at base of bedrock falls on Beltane Ranch

Watershed: Sonoma Creek Watershed

County: Sonoma

USGS 7.5' Quad: KENWOOD

SPECIES LIST AND INDIVIDUAL LENGTHS

Species	Fork Length or Tail Length (mm)
<i>Oncorhynchus mykiss</i> (<i>Rainbow trout</i>)	68, 72, 81, 88, 89, 127, 127, 141, 185, 188, 217, 225 (plus 5 observed within size range)

FISH COMMUNITY STRUCTURE INDICES

Total Number of Species: 1

% Native Fish Species: 100%

SPECIES RATINGS (AS DEFINED BY R.A. LEIDY)

% Native Rating by Abundance (0-3): 3

Salmonid Abundance (0-3): 3

Total year-of-young in sample (0-3): 1

Sculpin Abundance (0-3): 0

* NOTE: This page presents selected data from one of R.A. Leidy's original field datasheets. Please see accompanying documentation for explanations of the data and their treatment. Species are listed in phylogenetic order.

Robert A. Leidy Fish Survey 1992-1998 SFEI Datasheet # LF250 *

SURVEY EVENT INFORMATION

Date: 9/17/93 **Time:** 1143 **SFEI Station ID:** STN0066
Location: Calabazas Creek, at Rhododendron site, immediately adjacent to road (4th upstream; 3rd downstream site)
Watershed: Sonoma Creek Watershed **County:** Sonoma **USGS 7.5' Quad:** KENWOOD

SPECIES LIST AND INDIVIDUAL LENGTHS

Species	Fork Length or Tail Length (mm)
<i>Oncorhynchus mykiss</i> (Rainbow trout)	39, 47, 59, 59, 66, 66, 72, 105, 118, 123, 134, 141, 168, 178, 185 (plus 10 observed within size range)
<i>Cottus gulosus</i> (Riffle sculpin)	66, 70 (plus 5 observed at 60-90 mm TL)

FISH COMMUNITY STRUCTURE INDICES

Total Number of Species: 2 **% Native Fish Species:** 100%

SPECIES RATINGS (AS DEFINED BY R.A. LEIDY)

% Native Rating by Abundance (0-3): 3 **Salmonid Abundance (0-3):** 2
Total year-of-young in sample (0-3): 1 **Sculpin Abundance (0-3):** 1

* NOTE: This page presents selected data from one of R.A. Leidy's original field datasheets. Please see accompanying documentation for explanations of the data and their treatment. Species are listed in phylogenetic order.

Robert A. Leidy Fish Survey 1992-1998

SFEI Datasheet # LF251 *

SURVEY EVENT INFORMATION

Date: 7/22/97 **Time:** 1000 **SFEI Station ID:** STN0064
Location: Calabazas Creek, at Atwood Ranch, from pumphouse well, upstream 30 m
Watershed: Sonoma Creek Watershed **County:** Sonoma **USGS 7.5' Quad:** KENWOOD

SPECIES LIST AND INDIVIDUAL LENGTHS

Species	Fork Length or Tail Length (mm)
<i>Oncorhynchus mykiss</i> (Rainbow trout)	62, 64, 68, 77, 126, 127, 216
<i>Lavinia symmetricus</i> (California roach)	56, 69, 130
<i>Cottus gulosus</i> (Riffle sculpin)	66, 72, 75, 82, 96

FISH COMMUNITY STRUCTURE INDICES

Total Number of Species: 3 **% Native Fish Species:** 100%

SPECIES RATINGS (AS DEFINED BY R.A. LEIDY)

% Native Rating by Abundance (0-3): 3 **Salmonid Abundance (0-3):** 3

Total year-of-young in sample (0-3): 2 **Sculpin Abundance (0-3):** 2

* NOTE: This page presents selected data from one of R.A. Leidy's original field datasheets. Please see accompanying documentation for explanations of the data and their treatment. Species are listed in phylogenetic order.

Robert A. Leidy Fish Survey 1992-1998 SFEI Datasheet # LF252 *

SURVEY EVENT INFORMATION

Date: 12/13/97 **Time:** 1430 **SFEI Station ID:** STN0071
Location: Carriger Creek, 50 m upstream from O'Brien Road bridge crossing
Watershed: Sonoma Creek Watershed **County:** Sonoma **USGS 7.5' Quad:** GLEN ELLEN

SPECIES LIST AND INDIVIDUAL LENGTHS

Species	Fork Length or Tail Length (mm)
<i>Oncorhynchus mykiss</i> (Rainbow trout)	46, 79, 121, 210, 238

FISH COMMUNITY STRUCTURE INDICES

Total Number of Species: 1 **% Native Fish Species:** 100%

SPECIES RATINGS (AS DEFINED BY R.A. LEIDY)

% Native Rating by Abundance (0-3): 3 **Salmonid Abundance (0-3):** 1
Total year-of-young in sample (0-3): 1 **Sculpin Abundance (0-3):** 0

* NOTE: This page presents selected data from one of R.A. Leidy's original field datasheets. Please see accompanying documentation for explanations of the data and their treatment. Species are listed in phylogenetic order.

Robert A. Leidy Fish Survey 1992-1998 SFEI Datasheet # LF253 *

SURVEY EVENT INFORMATION

Date: 10/16/94 **Time:** 1200 **SFEI Station ID:** STN0110
Location: Graham Creek, approximate elevation 960 feet, upstream of Jack London State Park
Watershed: Sonoma Creek Watershed **County:** Sonoma **USGS 7.5' Quad:** GLEN ELLEN

SPECIES LIST AND INDIVIDUAL LENGTHS

Species	Fork Length or Tail Length (mm)
<i>Oncorhynchus mykiss</i> (Rainbow trout)	47, 47, 49, 54, 65, 69, 78, 88, 104, 113, 125, 128, 138, 144, 173, 185, 190
<i>Cottus gulosus</i> (Riffle sculpin)	90

FISH COMMUNITY STRUCTURE INDICES

Total Number of Species: 2 **% Native Fish Species:** 100%

SPECIES RATINGS (AS DEFINED BY R.A. LEIDY)

% Native Rating by Abundance (0-3): 3	Salmonid Abundance (0-3): 3
Total year-of-young in sample (0-3): 1	Sculpin Abundance (0-3): 1

* NOTE: This page presents selected data from one of R.A. Leidy's original field datasheets. Please see accompanying documentation for explanations of the data and their treatment. Species are listed in phylogenetic order.

Robert A. Leidy Fish Survey 1992-1998 SFEI Datasheet # LF254 *

SURVEY EVENT INFORMATION

Date: 12/13/97 **Time:** 1215 **SFEI Station ID:** STN0138
Location: Mill Creek, 30 m downstream from second pool downstream from road crossing at Sonoma State Hospital
Watershed: Sonoma Creek Watershed **County:** Sonoma **USGS 7.5' Quad:** GLEN ELLEN

SPECIES LIST AND INDIVIDUAL LENGTHS

Species	Fork Length or Tail Length (mm)
<i>Oncorhynchus mykiss</i> (Rainbow trout)	55, 65, 66, 85, 87, 120, 145
<i>Lavinia symmetricus</i> (California roach)	80, 90
<i>Cottus gulosus</i> (Riffle sculpin)	76

FISH COMMUNITY STRUCTURE INDICES

Total Number of Species: 3 **% Native Fish Species:** 100%

SPECIES RATINGS (AS DEFINED BY R.A. LEIDY)

% Native Rating by Abundance (0-3): 2 **Salmonid Abundance (0-3):** 1
Total year-of-young in sample (0-3): 1 **Sculpin Abundance (0-3):** 1

* NOTE: This page presents selected data from one of R.A. Leidy's original field datasheets. Please see accompanying documentation for explanations of the data and their treatment. Species are listed in phylogenetic order.

Robert A. Leidy Fish Survey 1992-1998

SFEI Datasheet # LF255 *

SURVEY EVENT INFORMATION

Date: 7/14/93 **Time:** 1700 **SFEI Station ID:** STN0178

Location: Petaluma River, approximately 150 m upstream of Corona Road crossing, Petaluma/Penngrove

Watershed: Petaluma River Watershed **County:** Sonoma **USGS 7.5' Quad:** COTATI

SPECIES LIST AND INDIVIDUAL LENGTHS

Species	Fork Length or Tail Length (mm)
<i>Orthodon microlepidotus</i> (Sacramento blackfish)	103, 130, 167
<i>Pimephales promelas</i> (Fathead minnow)	50, 52, 55, 56, 61, 64
<i>Gambusia affinis</i> (Western mosquitofish)	21
<i>Gasterosteus aculeatus</i> (Threespine stickleback)	50, 52, 54, 55, 55, 60, 60 (plus 20 observed at 20-30 size range)
<i>Lepomis cyanellus</i> (Green sunfish)	72, 80, 84, 90, 93, 99, 101, 101, 105, 115, 120
<i>Cottus asper</i> (Prickly sculpin)	61, 65, 65, 70, 90

FISH COMMUNITY STRUCTURE INDICES

Total Number of Species: 6 **% Native Fish Species:** 50%

SPECIES RATINGS (AS DEFINED BY R.A. LEIDY)

% Native Rating by Abundance (0-3): 1 **Salmonid Abundance (0-3):** 0

Total year-of-young in sample (0-3): 2 **Sculpin Abundance (0-3):** 1

* NOTE: This page presents selected data from one of R.A. Leidy's original field datasheets. Please see accompanying documentation for explanations of the data and their treatment. Species are listed in phylogenetic order.

Robert A. Leidy Fish Survey 1992-1998 SFEI Datasheet # LF258 *

SURVEY EVENT INFORMATION

Date: 7/22/93 **Time:** 1100 **SFEI Station ID:** STN0230

Location: Sonoma Creek, main road on Sonoma State Hospital, 30 m reach below Arnold Drive bridge

Watershed: Sonoma Creek Watershed **County:** Sonoma **USGS 7.5' Quad:** GLEN ELLEN

SPECIES LIST AND INDIVIDUAL LENGTHS

Species	Fork Length or Tail Length (mm)
<i>Oncorhynchus mykiss</i> (Rainbow trout)	12, 79, 80, 81, 84, 86, 86, 89, 89, 92, 98, 98, 100, 109, 111, 119, 120
<i>Ptychocheilus grandis</i> (Sacramento squawfish)	41, 42, 42, 44, 48, 56
<i>Lavinia symmetricus</i> (California roach)	40, 42, 48, 52, 53, 56, 58, 58, 58, 58, 60, 60, 62, 62, 62, 62, 65, 65, 66, 66, 68, 68, 68, 71, 72, 76, 82, 100 (plus 100 observed within size range)
<i>Catostomus occidentalis</i> (Sacramento sucker)	53, 53, 58, 60, 60, 63, 65, 67, 68, 68, 70, 70, 70, 70, 72, 72, 72, 80
<i>Cottus gulosus</i> (Riffle sculpin)	30, 36, 40, 41, 42, 43, 44, 44, 46, 48, 48, 50, 52, 52, 52, 52, 52, 55, 56, 59, 60, 62, 62, 70, 90

FISH COMMUNITY STRUCTURE INDICES

Total Number of Species: 5 **% Native Fish Species:** 100%

SPECIES RATINGS (AS DEFINED BY R.A. LEIDY)

% Native Rating by Abundance (0-3): 3 **Salmonid Abundance (0-3):** 3

Total year-of-young in sample (0-3): 3 **Sculpin Abundance (0-3):** 3

* NOTE: This page presents selected data from one of R.A. Leidy's original field datasheets. Please see accompanying documentation for explanations of the data and their treatment. Species are listed in phylogenetic order.

Robert A. Leidy Fish Survey 1992-1998

SFEI Datasheet # LF259 *

SURVEY EVENT INFORMATION

Date: 8/4/93 **Time:** 1000 **SFEI Station ID:** STN0220

Location: Sonoma Creek, 100 m downstream from Madrone Road bridge adjacent to Valley of the Moon Winery

Watershed: Sonoma Creek Watershed **County:** Sonoma **USGS 7.5' Quad:** GLEN ELLEN

SPECIES LIST AND INDIVIDUAL LENGTHS

Species	Fork Length or Tail Length (mm)
<i>Lampetra tridentata</i> (Pacific lamprey)	150, 160, 170
<i>Oncorhynchus mykiss</i> (Rainbow trout)	80, 107
<i>Ptychocheilus grandis</i> (Sacramento squawfish)	45, 50
<i>Lavinia symmetricus</i> (California roach)	29, 30, 30, 31, 31, 32, 33, 35, 35, 35, 35, 39, 40, 40, 45, 45, 60, 60, 60, 61, 64, 65, 69, 70, 70, 75, 76, 79, 80, 84, 84, 84, 85, 90, 105, 110, 119, 120, 120 (plus 200 observed within size range)
<i>Catostomus occidentalis</i> (Sacramento sucker)	32, 45, 45, 46, 56, 60, 60, 61, 61, 65, 72, 80, 92, 97, 114, 140, 150
<i>Cottus asper</i> (Prickly sculpin)	35, 40, 41, 43, 45, 49, 49, 49, 51, 51, 51, 55, 60, 60, 71, 72, 72, 75, 80, 83, 85, 85, 86, 91, 92, 95, 100, 100, 100, 102, 106

FISH COMMUNITY STRUCTURE INDICES

Total Number of Species: 6 **% Native Fish Species:** 100%

SPECIES RATINGS (AS DEFINED BY R.A. LEIDY)

% Native Rating by Abundance (0-3): 3	Salmonid Abundance (0-3): 1
Total year-of-young in sample (0-3): 3	Sculpin Abundance (0-3): 3

* NOTE: This page presents selected data from one of R.A. Leidy's original field datasheets. Please see accompanying documentation for explanations of the data and their treatment. Species are listed in phylogenetic order.

Robert A. Leidy Fish Survey 1992-1998 SFEI Datasheet # LF260 *

SURVEY EVENT INFORMATION

Date: 8/4/93 **Time:** 1430 **SFEI Station ID:** STN0229

Location: Sonoma Creek, Leveroni Boulevard bridge at Harris Road, 50 m downstream from bridge, upstream to bridge

Watershed: Sonoma Creek Watershed **County:** Sonoma **USGS 7.5' Quad:** SONOMA

SPECIES LIST AND INDIVIDUAL LENGTHS

Species	Fork Length or Tail Length (mm)
<i>Oncorhynchus mykiss</i> (Rainbow trout)	92, 132
<i>Lavinia symmetricus</i> (California roach)	45, 55, 55, 55, 60, 60, 62, 65, 66, 66, 66, 66, 69, 69, 70, 70, 70, 71, 72, 72, 73, 75, 75, 75, 75, 75, 76, 76, 77, 79, 80, 81, 82, 83, 84, 85, 86, 89, 96, 100 (plus 200 observed within size range)
<i>Catostomus occidentalis</i> (Sacramento sucker)	55, 57, 62, 62, 65, 66, 68, 70, 70, 70, 71, 74, 75, 76, 76, 80, 80, 81, 86
<i>Gasterosteus aculeatus</i> (Threespine stickleback)	30, 35, 36
<i>Cottus asper</i> (Prickly sculpin)	35, 55, 56, 65, 70, 70, 75 (plus 20 observed within size range)

FISH COMMUNITY STRUCTURE INDICES

Total Number of Species: 5 **% Native Fish Species:** 100%

SPECIES RATINGS (AS DEFINED BY R.A. LEIDY)

% Native Rating by Abundance (0-3): 3 **Salmonid Abundance (0-3):** 1

Total year-of-young in sample (0-3): 3 **Sculpin Abundance (0-3):** 3

* NOTE: This page presents selected data from one of R.A. Leidy's original field datasheets. Please see accompanying documentation for explanations of the data and their treatment. Species are listed in phylogenetic order.

Robert A. Leidy Fish Survey 1992-1998

SFEI Datasheet # LF261 *

SURVEY EVENT INFORMATION

Date: 8/5/93

Time: 1630

SFEI Station ID: STN0221

Location: Sonoma Creek, 20 m downstream from Agua Caliente Road bridge

Watershed: Sonoma Creek Watershed

County: Sonoma

USGS 7.5' Quad: SONOMA

SPECIES LIST AND INDIVIDUAL LENGTHS

Species	Fork Length or Tail Length (mm)
<i>Oncorhynchus mykiss</i> (Rainbow trout)	115, 117, 130
<i>Ptychocheilus grandis</i> (Sacramento squawfish)	51
<i>Lavinia symmetricus</i> (California roach)	24, 25, 25, 27, 29, 30, 30, 30, 30, 30, 30, 30, 30, 31, 31, 33, 34, 35, 36, 36, 36, 36, 36, 39, 40, 40, 41, 43, 55, 60, 62, 62, 64, 64, 65, 65, 65, 65, 65, 65, 65, 65, 65, 65, 67, 67, 70, 73, 73, 79, 90
<i>Catostomus occidentalis</i> (Sacramento sucker)	45, 45, 46, 46, 47, 48, 52, 54, 56, 57, 59, 60, 61, 62, 65, 66, 67, 72, 75, 76, 86, 125
<i>Cottus asper</i> (Prickly sculpin)	36, 39, 40, 40, 41, 41, 45, 45, 46, 50, 51, 55, 55, 56, 57, 60, 61, 61, 62, 65, 65, 66, 66, 78, 115

FISH COMMUNITY STRUCTURE INDICES

Total Number of Species: 5 % Native Fish Species: 100%

SPECIES RATINGS (AS DEFINED BY R.A. LEIDY)

% Native Rating by Abundance (0-3): 3 Salmonid Abundance (0-3): 1

Total year-of-young in sample (0-3): 3 Sculpin Abundance (0-3): 3

* NOTE: This page presents selected data from one of R.A. Leidy's original field datasheets. Please see accompanying documentation for explanations of the data and their treatment. Species are listed in phylogenetic order.

Robert A. Leidy Fish Survey 1992-1998 SFEI Datasheet # LF262 *

SURVEY EVENT INFORMATION

Date: 8/13/93 **Time:** 1100 **SFEI Station ID:** STN0222

Location: Sonoma Creek, 50 m upstream from horse trail crossing, opposite stable parking lot in Sugarloaf Ridge State Park (Adobe Canyon)

Watershed: Sonoma Creek Watershed **County:** Sonoma **USGS 7.5' Quad:** KENWOOD

SPECIES LIST AND INDIVIDUAL LENGTHS

Species	Fork Length or Tail Length (mm)
<i>Oncorhynchus mykiss</i> (Rainbow trout)	88, 90, 91, 91, 96, 96, 101, 103, 104, 105, 156, 164, 171, 200, 235

FISH COMMUNITY STRUCTURE INDICES

Total Number of Species: 1 **% Native Fish Species:** 100%

SPECIES RATINGS (AS DEFINED BY R.A. LEIDY)

% Native Rating by Abundance (0-3): 3 **Salmonid Abundance (0-3):** 2

Total year-of-young in sample (0-3): 1 **Sculpin Abundance (0-3):** 0

* NOTE: This page presents selected data from one of R.A. Leidy's original field datasheets. Please see accompanying documentation for explanations of the data and their treatment. Species are listed in phylogenetic order.

Robert A. Leidy Fish Survey 1992-1998
SFEI Datasheet # LF263 *

SURVEY EVENT INFORMATION

Date: 10/22/93 **Time:** 1030 **SFEI Station ID:** STN0232
Location: Sonoma Creek, upstream of Highway 126 crossing opposite parking lot at hardware store
Watershed: Sonoma Creek Watershed **County:** Sonoma **USGS 7.5' Quad:** GLEN ELLEN

SPECIES LIST AND INDIVIDUAL LENGTHS

Species	Fork Length or Tail Length (mm)
<i>Oncorhynchus mykiss</i> (Rainbow trout)	200, 226
<i>Ptychocheilus grandis</i> (Sacramento squawfish)	63, 73, 77, 193
<i>Lavinia symmetricus</i> (California roach)	25, 30, 32, 32, 33, 73, 73, 75, 76, 80, 85, 87, 95
<i>Catostomus occidentalis</i> (Sacramento sucker)	71, 85, 97, 98, 102, 104, 113, 117
<i>Cottus gulosus</i> (Riffle sculpin)	61, 63, 65, 66, 66, 80, 86, 90

FISH COMMUNITY STRUCTURE INDICES

Total Number of Species: 5 **% Native Fish Species:** 100%

SPECIES RATINGS (AS DEFINED BY R.A. LEIDY)

% Native Rating by Abundance (0-3): 3 **Salmonid Abundance (0-3):** 1
Total year-of-young in sample (0-3): 3 **Sculpin Abundance (0-3):** 2

* NOTE: This page presents selected data from one of R.A. Leidy's original field datasheets. Please see accompanying documentation for explanations of the data and their treatment. Species are listed in phylogenetic order.

Robert A. Leidy Fish Survey 1992-1998

SFEI Datasheet # LF264 *

SURVEY EVENT INFORMATION

Date: 6/16/94 **Time:** 1415 **SFEI Station ID:** STN0225

Location: Sonoma Creek, at 90 degree bend in Highway 12, approximately 0.8 km downstream of Watmaugh Road crossing (at Woodworks Shop)

Watershed: Sonoma Creek Watershed **County:** Sonoma **USGS 7.5' Quad:** SONOMA

SPECIES LIST AND INDIVIDUAL LENGTHS

Species	Fork Length or Tail Length (mm)
<i>Lavinia symmetricus</i> (California roach)	50, 52, 55, 55, 58, 60, 60, 62, 67, 68, 70, 70, 70, 72, 75, 106, 110, 125 (plus 150 observed in shallow inshore pool areas 40-60 mm FL)
<i>Catostomus occidentalis</i> (Sacramento sucker)	110, 112, 112, 115, 120, 122, 131, 155, 165, 168 (plus 20 observed within size range)
<i>Gasterosteus aculeatus</i> (Threespine stickleback)	30, 58, 60, 61 (plus 15 observed within size range)
<i>Cottus asper</i> (Prickly sculpin)	44, 46, 48, 49, 50, 52, 55, 60, 62, 65, 72, 80, 82, 83, 85, 86, 95, 95, 106 (plus 20 observed within size range)

FISH COMMUNITY STRUCTURE INDICES

Total Number of Species: 4 **% Native Fish Species:** 100%

SPECIES RATINGS (AS DEFINED BY R.A. LEIDY)

% Native Rating by Abundance (0-3): 3 **Salmonid Abundance (0-3):** 0

Total year-of-young in sample (0-3): 3 **Sculpin Abundance (0-3):** 3

* NOTE: This page presents selected data from one of R.A. Leidy's original field datasheets. Please see accompanying documentation for explanations of the data and their treatment. Species are listed in phylogenetic order.

Robert A. Leidy Fish Survey 1992-1998
SFEI Datasheet # LF265 *

SURVEY EVENT INFORMATION

Date: 6/29/94 **Time:** 1045 **SFEI Station ID:** STN0226
Location: Sonoma Creek, at Riverfront Road immediately upstream from swimming hole
Watershed: Sonoma Creek Watershed **County:** Sonoma **USGS 7.5' Quad:** SONOMA

SPECIES LIST AND INDIVIDUAL LENGTHS

Species	Fork Length or Tail Length (mm)
<i>Oncorhynchus mykiss</i> (Rainbow trout)	180
<i>Ptychocheilus grandis</i> (Sacramento squawfish)	80, 190
<i>Lavinia symmetricus</i> (California roach)	11, 21, 38, 41, 45, 45, 50, 53, 55, 55, 55, 55, 55, 55, 55, 55, 58, 58, 58, 60, 60, 63, 65, 65, 65, 65, 65, 70, 72, 75 (plus 100 observed within size range)
<i>Catostomus occidentalis</i> (Sacramento sucker)	115, 165
<i>Gambusia affinis</i> (Western mosquitofish)	No measurements taken (20 observed at 35-70 mm TL)
<i>Gasterosteus aculeatus</i> (Threespine stickleback)	45
<i>Hysterocarpus traskii</i> (Tule perch)	55, 70, 75 (plus 5 observed within size range at fully barred phase)
<i>Cottus asper</i> (Prickly sculpin)	112, 115
<i>Cottus gulosus</i> (Riffle sculpin)	43, 65, 79

FISH COMMUNITY STRUCTURE INDICES

Total Number of Species: 9 **% Native Fish Species:** 89%

SPECIES RATINGS (AS DEFINED BY R.A. LEIDY)

% Native Rating by Abundance (0-3): 3 **Salmonid Abundance (0-3):** 1
Total year-of-young in sample (0-3): 2 **Sculpin Abundance (0-3):** 2

* NOTE: This page presents selected data from one of R.A. Leidy's original field datasheets. Please see accompanying documentation for explanations of the data and their treatment. Species are listed in phylogenetic order.

Robert A. Leidy Fish Survey 1992-1998

SFEI Datasheet # LF266 *

SURVEY EVENT INFORMATION

Date: 6/29/94

Time: 1400

SFEI Station ID: STN0228

Location: Sonoma Creek, immediately upstream from Boyes Boulevard crossing

Watershed: Sonoma Creek Watershed

County: Sonoma

USGS 7.5' Quad: SONOMA

SPECIES LIST AND INDIVIDUAL LENGTHS

Species	Fork Length or Tail Length (mm)
<i>Oncorhynchus mykiss</i> (Rainbow trout)	70
<i>Lavinia symmetricus</i> (California roach)	48, 50, 51, 52, 53, 55, 56, 57, 57, 58, 58, 58, 58, 58, 61, 61, 61, 61, 62, 62, 64, 64, 64, 64, 65, 65, 66, 70, 71, 72, 86
<i>Catostomus occidentalis</i> (Sacramento sucker)	92, 94, 105, 106, 114, 115, 116, 121, 122, 145, 147
<i>Lepomis macrochirus</i> (Bluegill)	65
<i>Cottus asper</i> (Prickly sculpin)	36, 38, 41, 42, 43, 46, 47, 48, 50, 50, 59, 68, 68, 70, 72, 75, 76, 80, 80, 90, 90, 101

FISH COMMUNITY STRUCTURE INDICES

Total Number of Species: 5 **% Native Fish Species:** 80%

SPECIES RATINGS (AS DEFINED BY R.A. LEIDY)

% Native Rating by Abundance (0-3): 3 **Salmonid Abundance (0-3):** 1

Total year-of-young in sample (0-3): 3 **Sculpin Abundance (0-3):** 3

* NOTE: This page presents selected data from one of R.A. Leidy's original field datasheets. Please see accompanying documentation for explanations of the data and their treatment. Species are listed in phylogenetic order.

Robert A. Leidy Fish Survey 1992-1998
SFEI Datasheet # LF267 *

SURVEY EVENT INFORMATION

Date: 7/15/94 **Time:** 1100 **SFEI Station ID:** STN0227

Location: Sonoma Creek, from mouth, downstream to junction with Second Napa Slough

Watershed: Sonoma Creek Watershed **County:** Sonoma **USGS 7.5' Quad:** SEARS POINT

SPECIES LIST AND INDIVIDUAL LENGTHS

Species	Fork Length or Tail Length (mm)
<i>Cottus asper</i> (<i>Prickly sculpin</i>)	34, 40, 46, 52

FISH COMMUNITY STRUCTURE INDICES

Total Number of Species: 1 **% Native Fish Species:** 100%

SPECIES RATINGS (AS DEFINED BY R.A. LEIDY)

% Native Rating by Abundance (0-3): 3 **Salmonid Abundance (0-3):** 1

Total year-of-young in sample (0-3): 0 **Sculpin Abundance (0-3):** 1

* NOTE: This page presents selected data from one of R.A. Leidy's original field datasheets. Please see accompanying documentation for explanations of the data and their treatment. Species are listed in phylogenetic order.

Robert A. Leidy Fish Survey 1992-1998 SFEI Datasheet # LF269 *

SURVEY EVENT INFORMATION

Date: 7/23/98 **Time:** 1215 **SFEI Station ID:** STN0223
Location: Sonoma Creek, Adobe Branch, immediately upstream of 10 impassable fall, Sugarloaf Ridge State Park
Watershed: Sonoma Creek Watershed **County:** Sonoma **USGS 7.5' Quad:** KENWOOD

SPECIES LIST AND INDIVIDUAL LENGTHS

Species	Fork Length or Tail Length (mm)
<i>Oncorhynchus mykiss</i> (Rainbow trout)	51, 52, 52, 54, 55, 58, 62, 65, 75, 80, 140, 230
<i>Cottus gulosus</i> (Riffle sculpin)	65

FISH COMMUNITY STRUCTURE INDICES

Total Number of Species: 2 **% Native Fish Species:** 100%

SPECIES RATINGS (AS DEFINED BY R.A. LEIDY)

% Native Rating by Abundance (0-3): 3	Salmonid Abundance (0-3): 2
Total year-of-young in sample (0-3): 3	Sculpin Abundance (0-3): 1

* NOTE: This page presents selected data from one of R.A. Leidy's original field datasheets. Please see accompanying documentation for explanations of the data and their treatment. Species are listed in phylogenetic order.

Robert A. Leidy Fish Survey 1992-1998

SFEI Datasheet # LF270 *

SURVEY EVENT INFORMATION

Date: 10/16/94

Time: 1130

SFEI Station ID: STN0239

Location: Stuart Canyon Creek, approximately 50 m upstream from road crossing off of Trinity Road

Watershed: Sonoma Creek Watershed

County: Sonoma

USGS 7.5' Quad: RUTHERFORD

SPECIES LIST AND INDIVIDUAL LENGTHS

Species	Fork Length or Tail Length (mm)
---------	---------------------------------

No fish recorded

FISH COMMUNITY STRUCTURE INDICES

Total Number of Species: 0 **% Native Fish Species:** 0%

SPECIES RATINGS (AS DEFINED BY R.A. LEIDY)

% Native Rating by Abundance (0-3): 0 **Salmonid Abundance (0-3):** 0

Total year-of-young in sample (0-3): 0 **Sculpin Abundance (0-3):** 0

* NOTE: This page presents selected data from one of R.A. Leidy's original field datasheets. Please see accompanying documentation for explanations of the data and their treatment. Species are listed in phylogenetic order.

Robert A. Leidy Fish Survey 1992-1998

SFEI Datasheet # LF271 *

SURVEY EVENT INFORMATION

Date: 12/27/93 **Time:** 1000 **SFEI Station ID:** STN0209
Location: San Mateo Creek, at Baywood Avenue bridge and Bridge Street
Watershed: San Mateo Creek Watershed **County:** San Mateo **USGS 7.5' Quad:** SAN MATEO

SPECIES LIST AND INDIVIDUAL LENGTHS

Species	Fork Length or Tail Length (mm)
<i>Oncorhynchus mykiss</i> (Rainbow trout)	198

FISH COMMUNITY STRUCTURE INDICES

Total Number of Species: 1 **% Native Fish Species:** 100%

SPECIES RATINGS (AS DEFINED BY R.A. LEIDY)

% Native Rating by Abundance (0-3): 1 **Salmonid Abundance (0-3):** 1

Total year-of-young in sample (0-3): 0 **Sculpin Abundance (0-3):** 0

* NOTE: This page presents selected data from one of R.A. Leidy's original field datasheets. Please see accompanying documentation for explanations of the data and their treatment. Species are listed in phylogenetic order.

Robert A. Leidy Fish Survey 1992-1998

SFEI Datasheet # LF272 *

SURVEY EVENT INFORMATION

Date: 12/27/93	Time: 1115	SFEI Station ID: STN0212
Location: San Mateo Creek, upstream from San Francisco Water District pipeline crossing and Sierra Drive bridge and El Cerrito Avenue		
Watershed: San Mateo Creek Watershed	County: San Mateo	USGS 7.5' Quad: SAN MATEO

SPECIES LIST AND INDIVIDUAL LENGTHS

Species	Fork Length or Tail Length (mm)
<i>Oncorhynchus mykiss (Rainbow trout)</i>	59, 65, 72, 80, 81, 89, 89, 90, 93, 97, 100, 105, 105, 120, 140, 155, 160, 164, 164, 175, 200, 275, 280 (plus 10 observed within size range)
<i>Gasterosteus aculeatus (Threespine stickleback)</i>	40, 41, 42 (plus 15 observed within size range)

FISH COMMUNITY STRUCTURE INDICES

Total Number of Species: 2	% Native Fish Species: 100%
SPECIES RATINGS (AS DEFINED BY R.A. LEIDY)	
% Native Rating by Abundance (0-3): 3	Salmonid Abundance (0-3): 2
Total year-of-young in sample (0-3): 1	Sculpin Abundance (0-3): 0

* NOTE: This page presents selected data from one of R.A. Leidy's original field datasheets. Please see accompanying documentation for explanations of the data and their treatment. Species are listed in phylogenetic order.

Robert A. Leidy Fish Survey 1992-1998

SFEI Datasheet # LF273 *

SURVEY EVENT INFORMATION

Date: 12/27/93

Time: 1230

SFEI Station ID: STN0211

Location: San Mateo Creek, downstream of Tartan Trail Road crossing off of Crystal Springs Road

Watershed: San Mateo Creek Watershed

County: San Mateo

USGS 7.5' Quad: SAN MATEO

SPECIES LIST AND INDIVIDUAL LENGTHS

Species	Fork Length or Tail Length (mm)
<i>Oncorhynchus mykiss</i> (Rainbow trout)	71, 82, 82, 85, 99, 102, 120, 145, 145, 170, 178, 188, 225
<i>Gasterosteus aculeatus</i> (Threespine stickleback)	No measurements taken (5 observed at 40-50 mm)

FISH COMMUNITY STRUCTURE INDICES

Total Number of Species: 2 % Native Fish Species: 100%

SPECIES RATINGS (AS DEFINED BY R.A. LEIDY)

% Native Rating by Abundance (0-3): 3 Salmonid Abundance (0-3): 2

Total year-of-young in sample (0-3): 0 Sculpin Abundance (0-3): 0

* NOTE: This page presents selected data from one of R.A. Leidy's original field datasheets. Please see accompanying documentation for explanations of the data and their treatment. Species are listed in phylogenetic order.

Robert A. Leidy Fish Survey 1992-1998 SFEI Datasheet # LF274 *

SURVEY EVENT INFORMATION

Date: 12/27/93 **Time:** 1300 **SFEI Station ID:** STN0210
Location: San Mateo Creek, at end of Arroyo Court, just upstream of De Anza Camp Historical Marker
Watershed: San Mateo Creek Watershed **County:** San Mateo **USGS 7.5' Quad:** SAN MATEO

SPECIES LIST AND INDIVIDUAL LENGTHS

Species	Fork Length or Tail Length (mm)
<i>Oncorhynchus mykiss</i> (Rainbow trout)	192, 202

FISH COMMUNITY STRUCTURE INDICES

Total Number of Species: 1 **% Native Fish Species:** 100%

SPECIES RATINGS (AS DEFINED BY R.A. LEIDY)

% Native Rating by Abundance (0-3): 3 **Salmonid Abundance (0-3):** 1
Total year-of-young in sample (0-3): 0 **Sculpin Abundance (0-3):** 0

* NOTE: This page presents selected data from one of R.A. Leidy's original field datasheets. Please see accompanying documentation for explanations of the data and their treatment. Species are listed in phylogenetic order.